



Flexibility, innovation and safety for your work

COUNTERBALANCED 360° SWIVEL CRANES

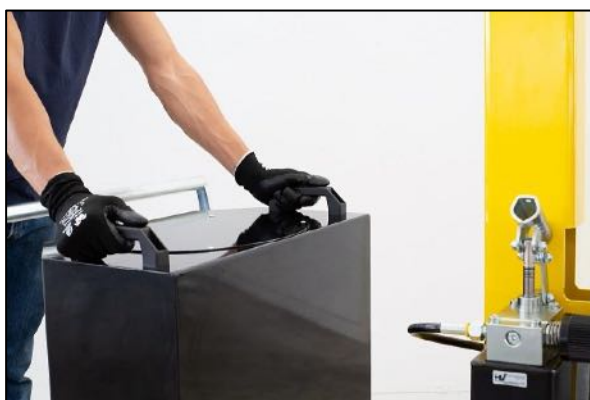


A complete range of counterbalanced 360° swivel cranes with manual traction, , **with a maximum capacity up to 500 kg and outreach up to 1300 mm**. Hydraulic lever controlled or electric controlled. They represent the most cost-effective and flexible solution for lifting and transporting loads in several applications such as machining centers and machine tools, delivery to assembly lines, assembly operations, goods handling. Thanks to their compact dimensions they are easily maneuverable even at full load and can be moved effortlessly in confined spaces. All components are made in Italy to ensure the highest construction quality and the absence of defects.

The hydraulic system is equipped with a lock valve that prevents the load from falling in case of accidental breakage of the pipes and a rough valve that prevents overloading of the crane.

They are equipped with 2 high-capacity pivoting wheels with bumper mounts and parking brakes and with 2 fixed front wheels with bearings. The frame is made of painted steel and is equipped at the base with 2 useful forklift supports (to lift and transport the crane in complete safety on long distances). The sturdy push handle can be disassembled. There are also 2 handles to easily rotate the ballast. Swivel hook type. Rotating Jib arm with 8 locking positions.

CERTIFICATION AND COMPLIANCE WITH REGULATIONS FOR THE PROTECTION AND SAFETY IN THE WORKPLACE



01B5

CAPACITY 500 KG

COUNTEDBALANCED SWIVEL CRANE LIFT/LOWER POWERED CONTROLLED

SINGLE SPEED NOT ADJUSTABLE

| Technical data | UM | 01B5 |
|-----------------|----------|------|
| Weight | [kg] | 640 |
| Max capacity | [kg] | 500 |
| Max pressure | [bar] | 140 |
| Tank capacity | [Liters] | 2,5 |
| Cylinder stroke | [mm] | 470 |

| CAPACITY AND DIMENSIONS WITH STANDARD JIB ARM | | |
|---|----------------|--------------|
| POS. | Length [mm] | Capacity |
| | | 01B5 [kg] |
| 1 | 365 | 500 |
| 2 | 500 | 420 |
| 3 | 635 | 370 |
| 4 | 770 | 320 |

| CAPACITY WITH OPTIONAL EXTENDED JIB ARM | | |
|---|----------------|--------------|
| POS. | Length [mm] | Capacity |
| | | 01B5 [kg] |
| 1 | 865 | 220 |
| 2 | 1000 | 200 |
| 3 | 1135 | 180 |
| 4 | 1270 | 160 |

The arm is extendable in 4 positions and an optional arm extension is available to get a maximum outreach of 1270 mm.



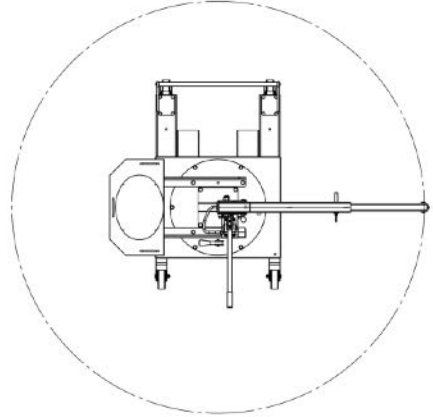
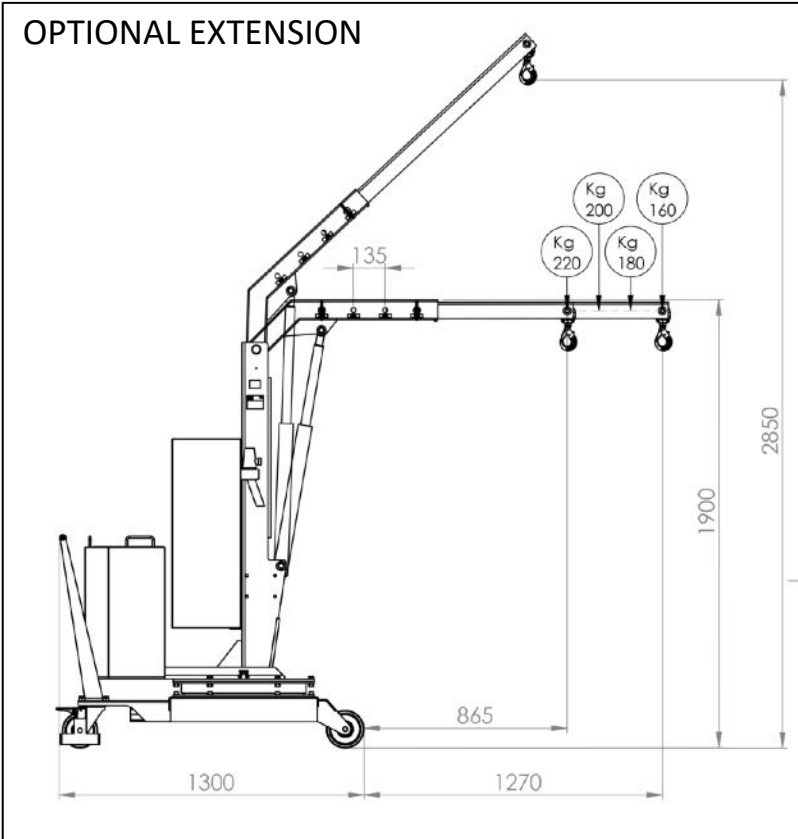
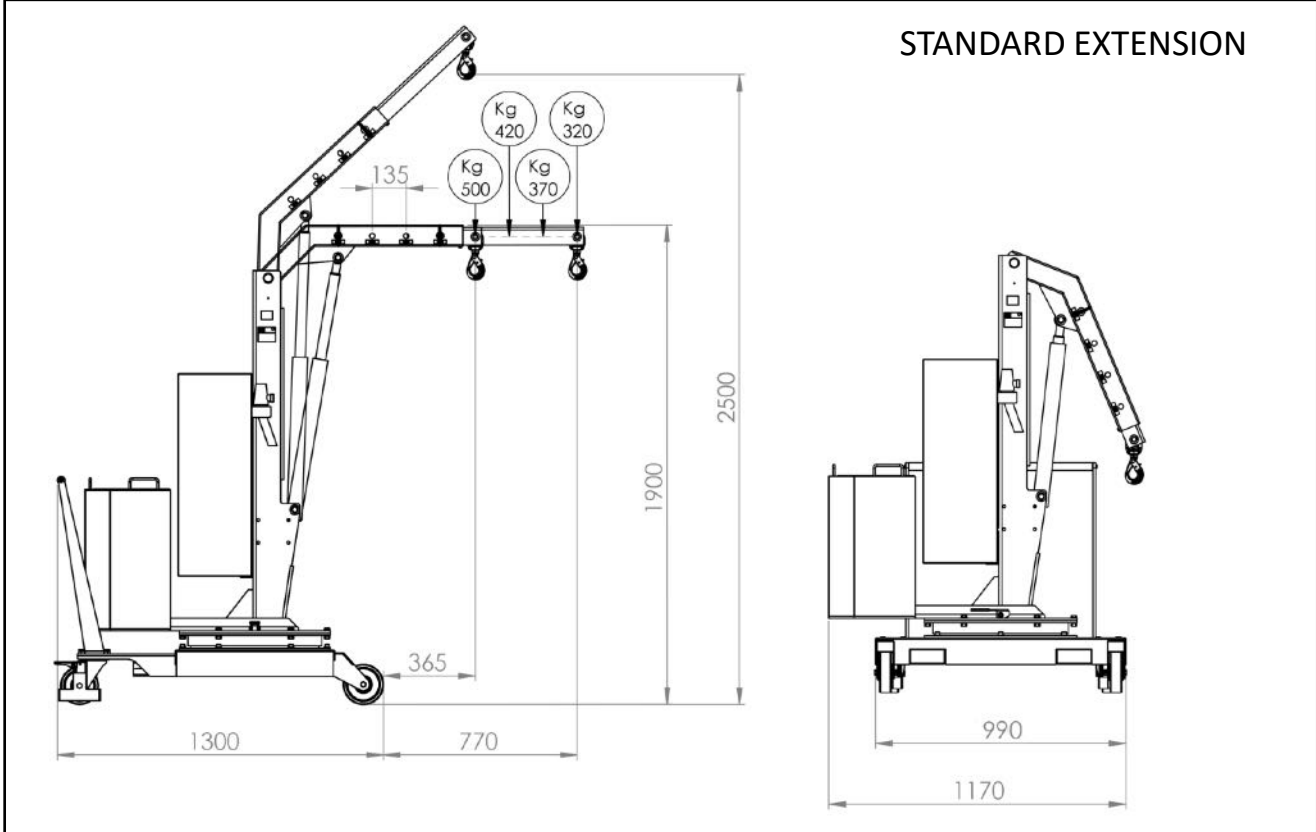
Model 01B5 is equipped with a lift/lower system controlled by pendant push button with emergency stop.



Built-in high-frequency charger.
Charge level indicator. Battery 12V 80A.

| | | |
|-----------------|-----|-----|
| 1 battery | [V] | 12 |
| | [A] | 80 |
| Battery charger | [V] | 220 |
| | [A] | 12 |

01B5
TECHNICAL DRAWINGS, DIMENSIONS AND CAPACITIES
 Recommended for lifting operations that do not require an accurate load positioning in the descent phase



01B5
TECHNICAL DRAWINGS, DIMENSIONS AND CAPACITIES
 Recommended for lifting operations that do not require an accurate load positioning in the descent phase

