



Flexibility, innovation and safety for your work

## COUNTERBALANCED 360° SWIVEL CRANES

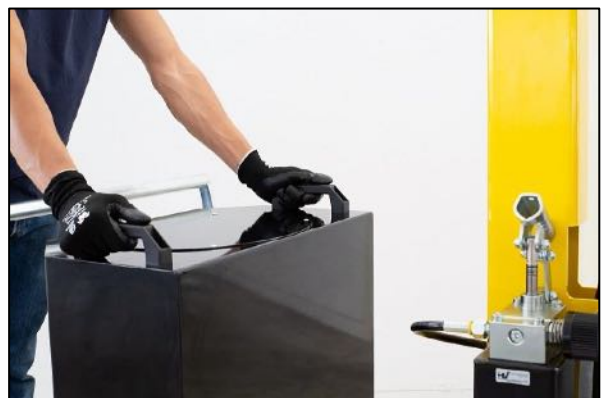


A complete range of counterbalanced 360° swivel cranes with manual traction, , **with a maximum capacity up to 500 kg and outreach up to 1300 mm**. Hydraulic lever controlled or electric controlled. They represent the most cost-effective and flexible solution for lifting and transporting loads in several applications such as machining centers and machine tools, delivery to assembly lines, assembly operations, goods handling. Thanks to their compact dimensions they are easily maneuverable even at full load and can be moved effortlessly in confined spaces. All components are made in Italy to ensure the highest construction quality and the absence of defects.

The hydraulic system is equipped with a lock valve that prevents the load from falling in case of accidental breakage of the pipes and a rough valve that prevents overloading of the crane.

They are equipped with 2 high-capacity pivoting wheels with bumper mounts and parking brakes and with 2 fixed front wheels with bearings. The frame is made of painted steel and is equipped at the base with 2 useful forklift supports (to lift and transport the crane in complete safety on long distances). The sturdy push handle can be disassembled. There are also 2 handles to easily rotate the ballast. Swivel hook type. Rotating Jib arm with 8 locking positions.

### CERTIFICATION AND COMPLIANCE WITH REGULATIONS FOR THE PROTECTION AND SAFETY IN THE WORKPLACE



**01m2**  
**CAPACITY 200 KG**  
**COUNTERBALANCED SWIVEL CRANE HYDRAULIC LEVER CONTROLLED FAST LIFT DOUBLE ACTION PUMP – FINE CONTROL DESCENT KNOB**



**800 MM FRONT FOOTPRINT**

Technical data	UM	01M2
Weight	[kg]	400
Max capacity	[kg]	200
Max pressure	[bar]	50
Tank capacity	[Liters]	2
Cylinder stroke	[mm]	470

CAPACITY AND DIMENSIONS WITH STANDARD JIB ARM		
POS.	Length	Capacity
	[mm]	01M2 [kg]
1	365	200
2	500	170
3	635	150
4	770	130

CAPACITY WITH OPTIONAL EXTENDED JIB ARM		
POS.	Length	Capacity
	[mm]	01M2 [kg]
1	865	92
2	1000	85
3	1135	78
4	1270	71

The 01M2 is equipped with a lever controlled fast and lightweight lift double action pump .

The control descent knob make it possible to adjust the descent speed.

The arm is extendable in 4 positions and an optional arm extension is available to get a maximum outreach of 1270 mm.

**The model 01M2 model being a crane with manual lifting does not require a third-party certification according to current legislation or obligation of periodic checks.**

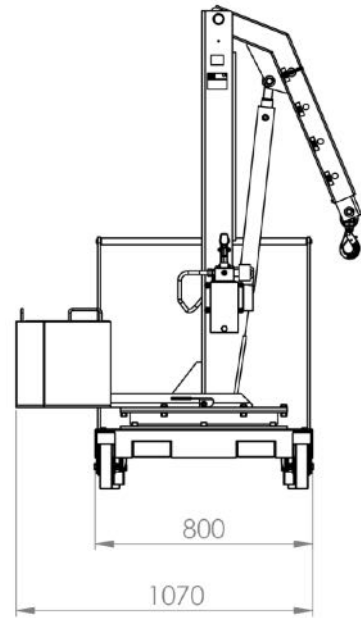
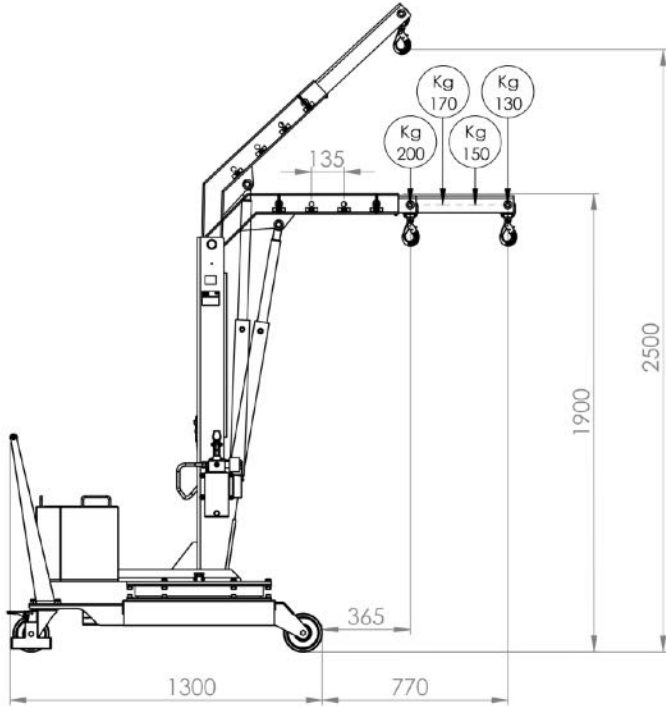
Detail of the hand pump with rod housing support and knurled knob



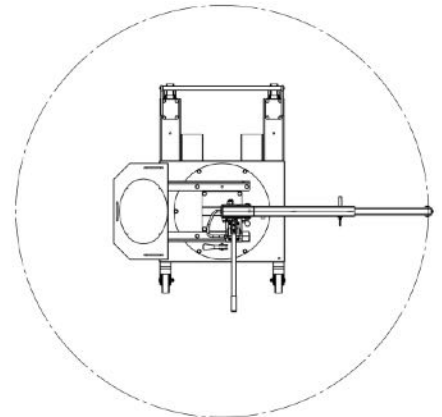
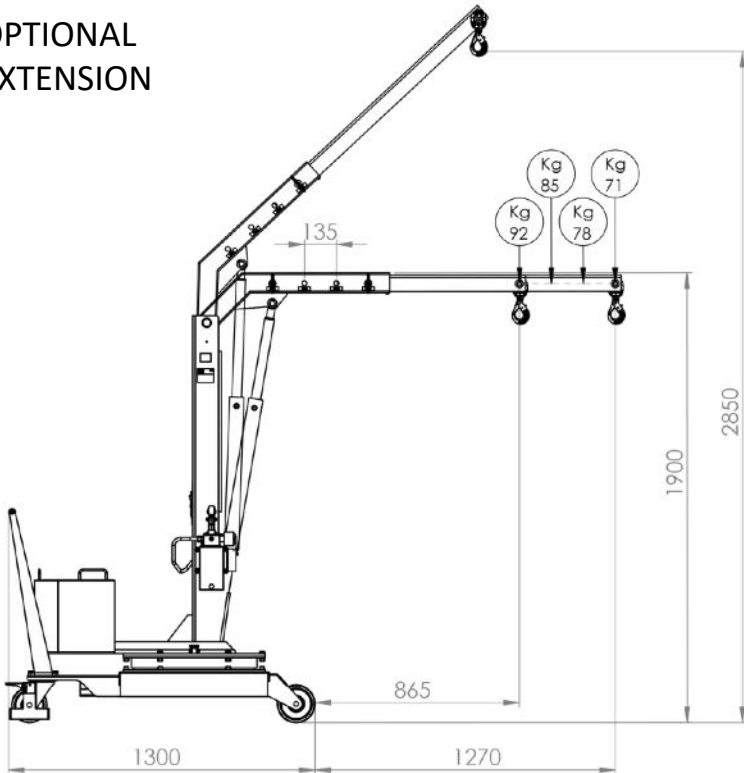
# 01m2

**TECHNICAL DRAWINGS, DIMENSIONS AND CAPACITIES**  
The most cost effective and flexible crane

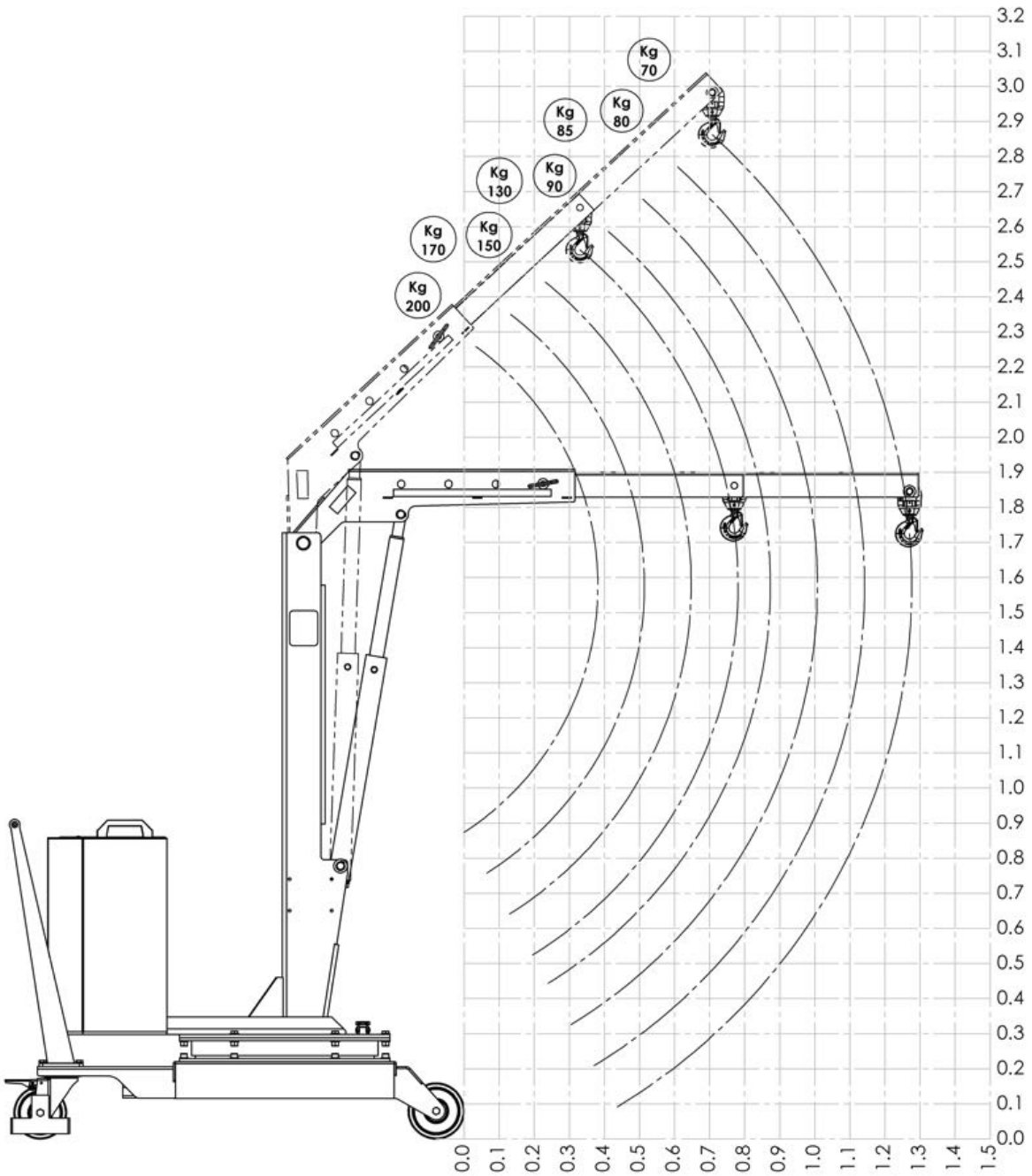
## STANDARD EXTENSION



## OPTIONAL EXTENSION



**01m2**  
**TECHNICAL DRAWINGS, DIMENSIONS AND CAPACITIES**  
 The most cost effective and flexible crane



**SILCOMNORTH UAB**

[www.silcomnorth.com](http://www.silcomnorth.com)

[hello@silcomnorth.com](mailto:hello@silcomnorth.com)

Phone +370 67216691

A. Goštauto g. 8, Vilnius 10312, Lithuania