

PROSAFE Tower

SPAN 500

Designed to meet Work
at Height Regulations

Suitable for Electrical
Applications

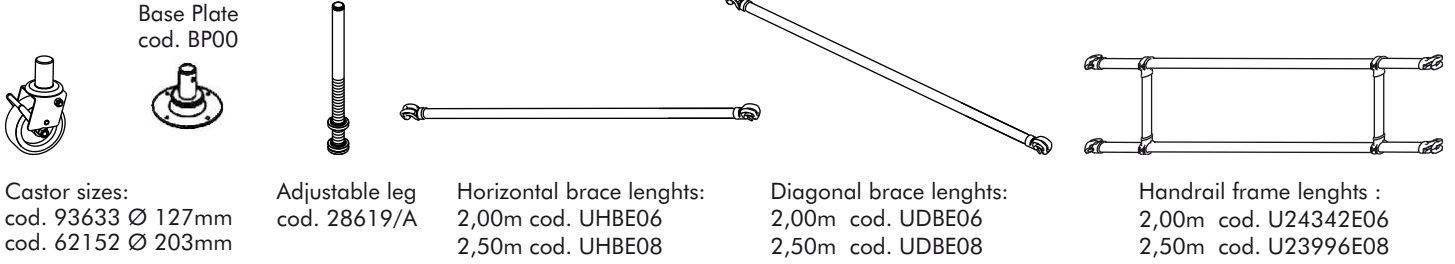
Suitable for use in zone 1
Classified Areas

CERTIFIED:
DIN EN 1004:2005-05

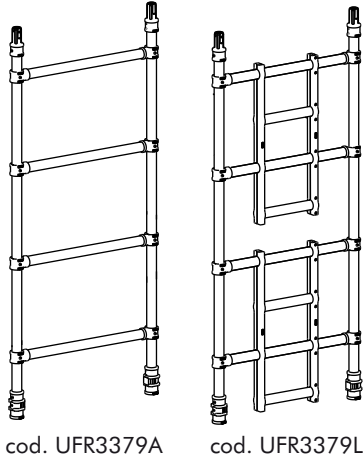
SERIES:
33"/0,85m Narrow Width
57"/1,45m Double Width
6'-8'/2,00-2,50m Length



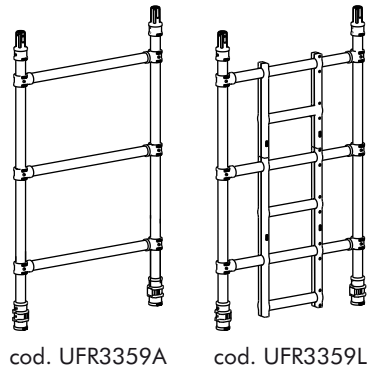
COMPONENTS



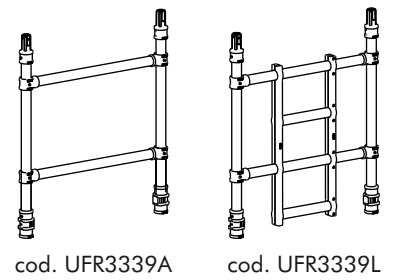
Narrow Frames 2,00m/4rung:



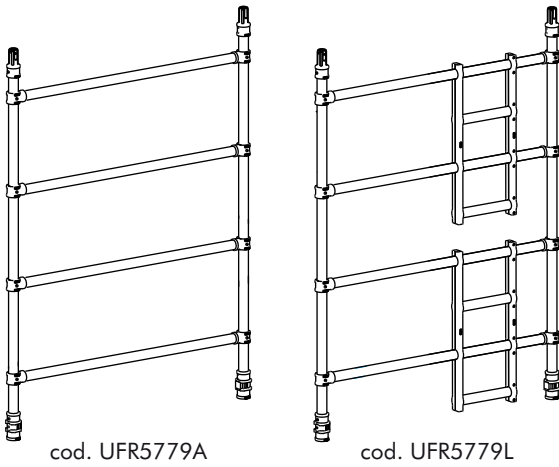
Narrow Frames 1,50m/3rung:



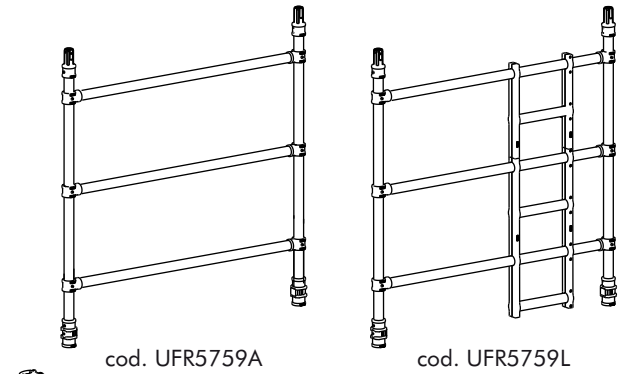
Narrow Frames 1,00m/2rung:



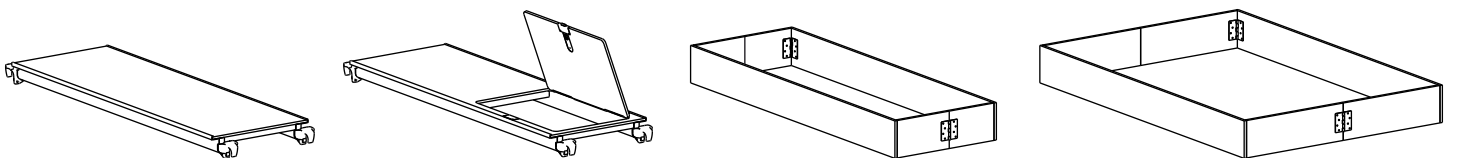
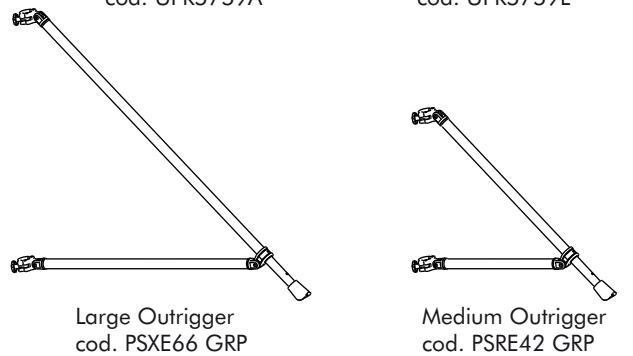
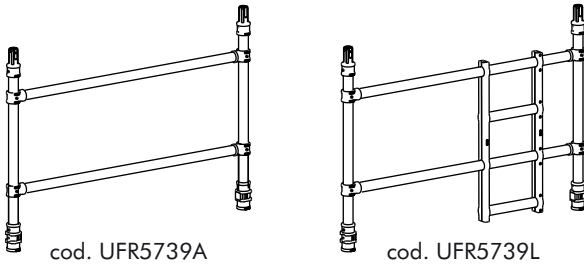
Double Frames 2,00m/4rung:



Double Frames 1,50m/3rung:



Double Frames 1,00m/2rung:



Standard platform lengths:
2,00m – cod. USPE06-61
2,50m – cod. USPE08-61

Hatch platform lengths:
2,00m – cod. UHPE06-61
2,50m – cod. UHPE08-61

Narrow Toeboard lengths:
2,00m cod. WTB2906-61
2,50m cod. WTB2908-61

Double Toeboard lengths:
2,00m cod. WTB5406-61
2,50m cod. WTB5408-61