

JUNIOR

golia.net

Material lifter

JUNIOR

JUNIOR LIGHT



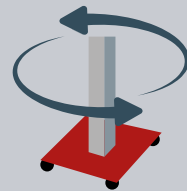
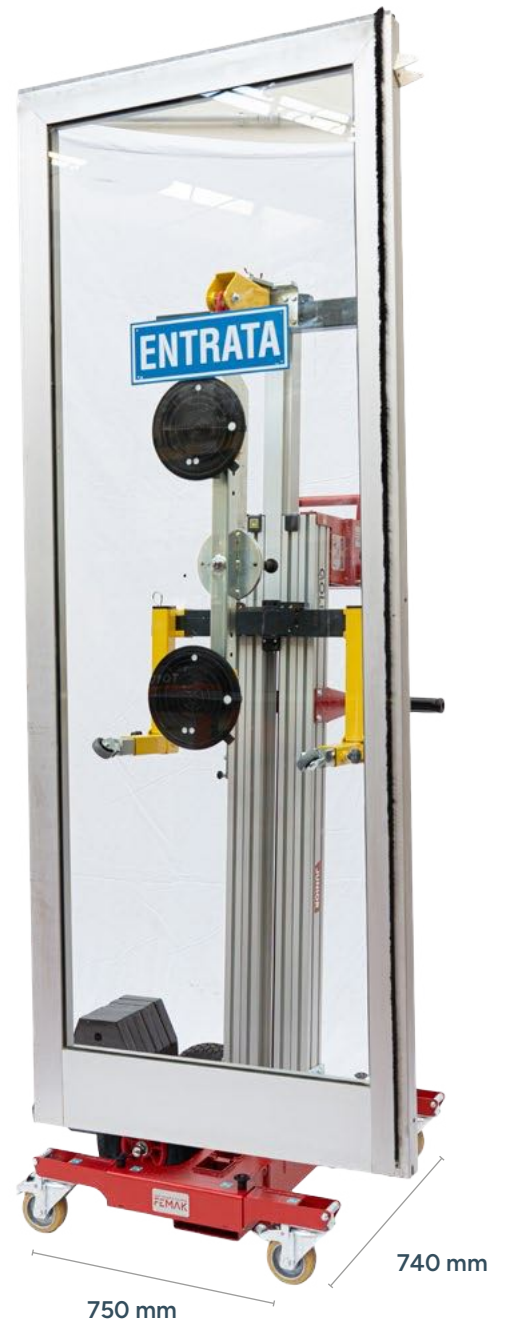
GOLIA

With mast rotation to let you get through doors

Working configuration



Narrow passage configuration



MASTS ROTATE
SO YOU CAN EASILY
GET THROUGH DOORS
AND NARROW PASSAGES
WITH A LOAD ON BOARD.

WATCH
MAST ROTATION



Passes through any gap. With glass on board.

Junior is the only machine in its class able to **rotate its masts through 90 degrees on its axis**, so it can **get through standard-size doors with the pane already on board**. An exclusive feature that revolutionises indoor handling, simplifying transportation and installation in even the tightest spaces.

Compact, lightweight and surprisingly powerful, **Junior** is designed to provide a simple, safe answer to industrial and artisan goods lifting needs.

With a **load weight capacity of 150 kg** and **maximum lifting height of 3200 mm**, it delivers impressive performance in a machine body just **156 cm high, 77 cm wide, 45 cm deep** and **63 kg in weight**: one of the most compact and lightest on the market.

The **patented lifting system** driven by a power screwdriver guarantees convenient, effective use.

The **ergonomic handlebar** and **four extra-large wheels** ensure smooth travel even on surfaces with some roughness.

What's more, the modular structure means the **feet can be reversed** to provide different operating configurations: from **standard (load in front of drive unit)** to **counterweighted**, for **installing panes reaching down to ground level**.

Junior is the ideal tool for anyone in search of **unbeatable efficiency, minimal size and complete freedom of movement**.

Product identification

Every machine is assigned a serial number (also stated in the use and maintenance manual) automatically generated by an in-house system after the individual machine has passed strict final testing, confirming its compliance with our quality and safety standards and authorising us to place it on the market. All serial numbers are therefore managed by in-house software enabling us to trace the history of each one of our machines, from the first internal testing results to the planned and unplanned maintenance it undergoes during its long working life.

Our system also generates an **INDIVIDUAL QR CODE**, applied to each machine.

Warranty

All our machines are covered by our warranty for a period of 12 months from the date of purchase. The warranty's validity and conditions are therefore set out in the use and maintenance manual.

Declaration of conformity

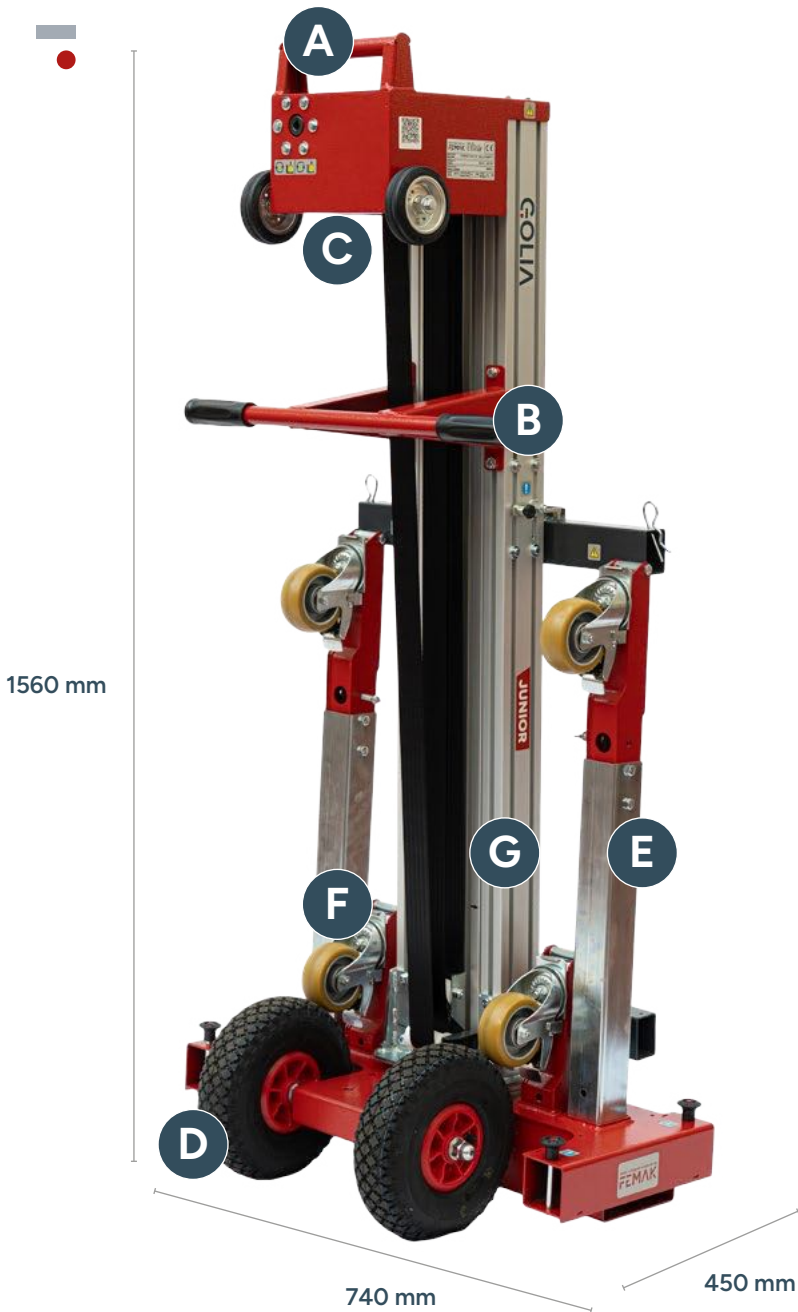
All our lifters come complete with a detailed use and maintenance manual with EC DECLARATION OF CONFORMITY compliant with the relevant provisions of the Machinery Directive 2006/42/EC and the technical standards applied, EN ISO 12100:2010.

Individual QR code

Every Golia machine has a unique QR code to enable its immediate identification. Operators can scan this code to access essential technical resources including user manuals, technical diagrams and maintenance specifications. This system enables swift, straightforward customer assistance, improving the lifter's operational management and maintenance.



characteristics



JUNIOR

Max Load Weight Capacity	150 kg
Max Height	3220 mm
Weight	63 kg

- A

Handle for moving the machine in its transport configuration: the raised position facilitates handling and reduces operator fatigue.
- B

Handlebar for steering the machine in working configuration: located externally to make the machine easy to handle even when fully loaded.
- C

Loading/unloading wheels in the transport configuration: this configuration is designed to facilitate loading/unloading the machine on trucks.
- D

Inflatable tyres make it easy to handle the machine on rough ground.
- E

The long feet (with caster wheels and brakes) snap onto the base: this not only reduces the overall dimensions of the machine in its transport configuration, but also enables complete removal of the 4 feet to reduce the machine's weight and make it easier to transport and lift.
- F

The short feet (with caster wheels and brakes) snap onto the base: this not only reduces the overall dimensions of the machine in its transport configuration, but also enables complete removal of the 4 feet to reduce the machine's weight and make it easier to transport and lift.
- G

Mast rotating through 90 degrees on its own axis to get through doors with frames/glass panes on board.

Agile and portable

Golia lifters are an ideal solution for anyone looking for a rugged yet agile and easily transportable machine. With their innovative design and Italian-built quality, they are perfect for guaranteeing efficiency in any working environment, from warehouses to construction sites.



accessories included as standard

DOCUMENT WALLET

With drive inserts for operation with a power screwdriver, and emergency crank for manual operation.



Operation with a power screwdriver

Our patented system for making your job easier:
Maximum effectiveness with minimum effort.



focus on safety

Safety is our first priority

Safety is key to the design and fabrication of our lifters. We understand our equipment must not only offer outstanding performance, but also assure total safety in the workplace. Your safety is our primary concern, and we are always innovating to achieve it with every lifter we make.

Testing area

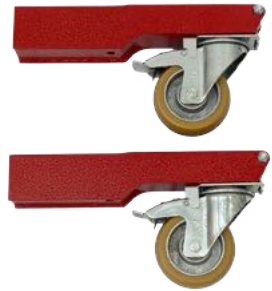
Every Golia machine undergoes strict tests in a special testing area, designed to simulate real operating conditions. During the process, specialised engineers check its stability and load capacity and the smoothness of its movements, to guarantee optimal performance. Every component is analysed to ensure durability and safety and supply a reliable product, ready for use in any working environment. Thanks to this phase, Golia maintains high quality standards to guarantee operators' satisfaction.



accessories

J/CORT

Pair of short feet



J/LONG

Pair of long feet



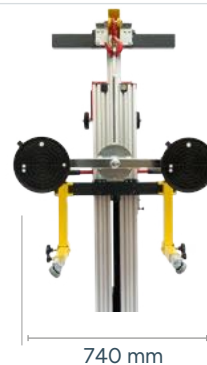
J/FGANCIO

Travelling fork on which the suction cup unit is mounted. Accessory for shifting the glass pane/frame to the left or right without moving the machine itself



J/GVENT2

2 Ottovac plate suction cup unit (AA battery power) load weight capacity 140 kg, 360° rotation. Adjustable glass-stops included, for adjusting the tilt of the glass pane/frame and preventing it from colliding with the machine itself



Adjustable glass-stops included with the suction cup.

J/PESO



Counterweight assembly comprising 6 x 10 kg ballasts, 2 handlebars for steering and 2 ballast supports

J/PLIGHT



Counterweight assembly for light version, comprising 6 x 10 kg ballasts, 1 ballast support and 2 support fixing knobs

J/LFORK



Pair of L-shaped forks for lifting loads from the ground

J/FORK



Pair of straight forks for lifting to the maximum height

use

Configurations and relative accessories

Golia Junior | load weight capacity 150 kg | maximum height 3200 mm

Thanks to its wide range of accessories and the ability to swap the feet around, the Golia Junior can be reconfigured by the operator in numerous ways to suit the requirements of the individual installation.

A

Required Accessories

J/CORT
J/LONG
J/LFORK



B

Required Accessories

J/CORT
J/LONG
J/FORK
J/PESO



C

Required Accessories

J/CORT
J/LONG
J/FGANCIO
J/GVENT2



D

Required Accessories

J/CORT
J/LONG
J/FGANCIO
J/GVENT2
J/PESO



use



Configurations and relative accessories

Golia Junior Light | load weight capacity 100 kg | maximum height 3200 mm

A1

Required Accessories

J/CORT x 2
J/FORK
J/PLIGHT



B1

Required Accessories

J/CORT x 2
J/FGANCIO
J/PLIGHT
J/GVENT2

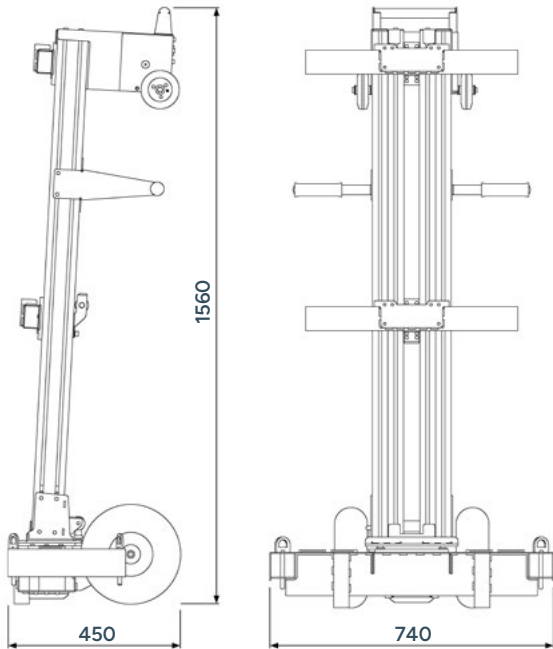




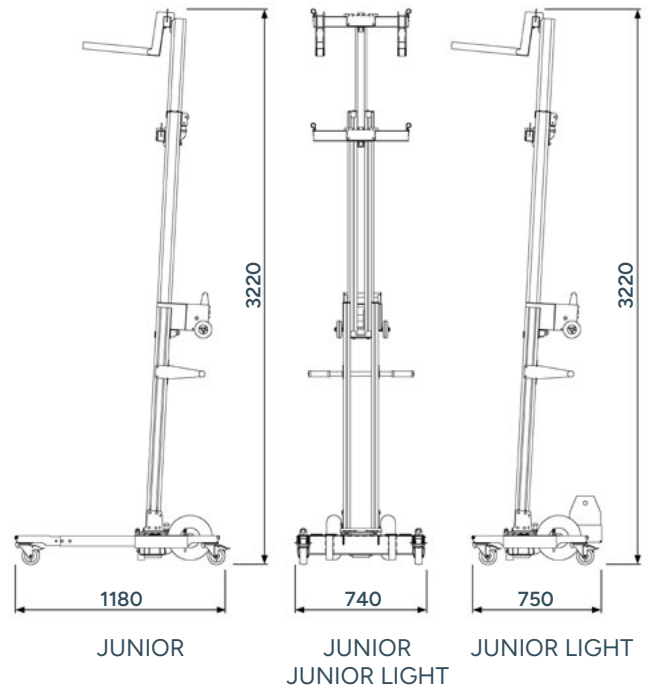


Dimensions and Load Weight Capacities

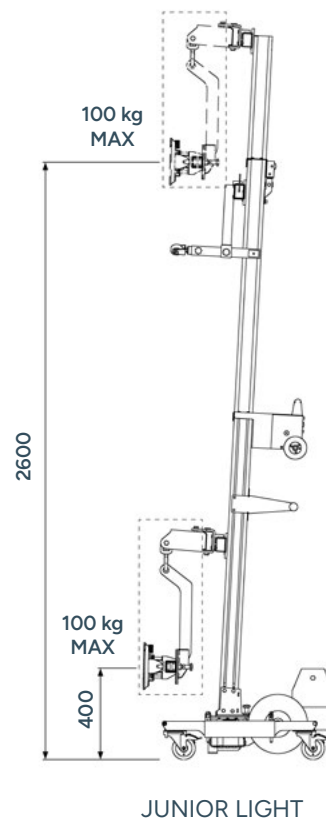
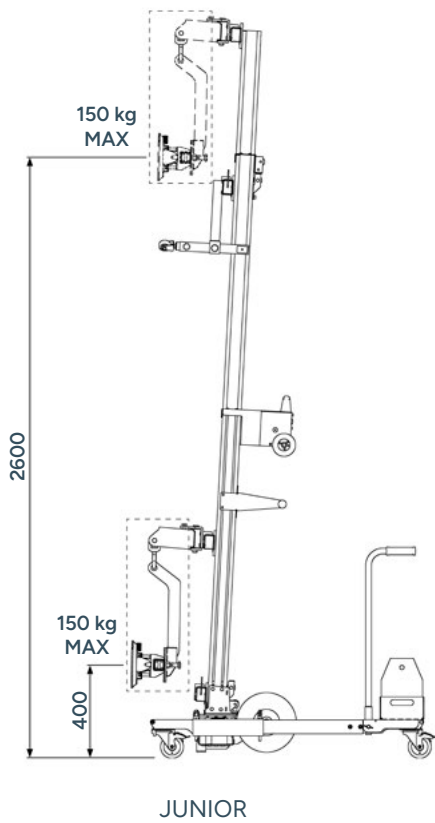
Closed configuration



Configuration extended to maximum height

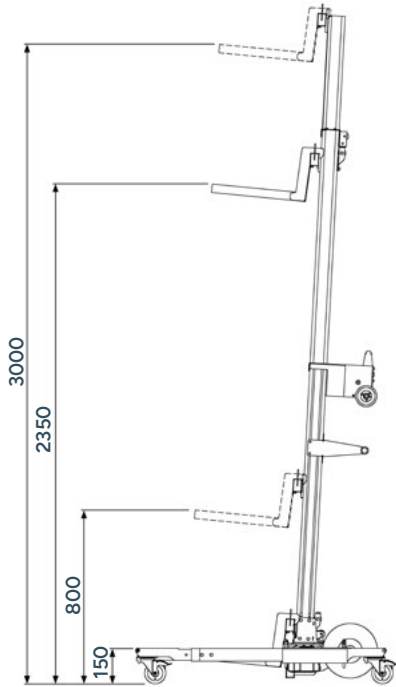


Load weight capacities and working heights with suction cups

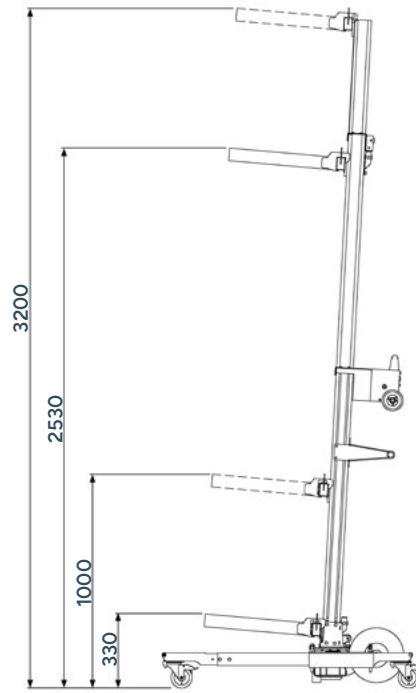


Dimensions and Load Weight Capacities

Working height

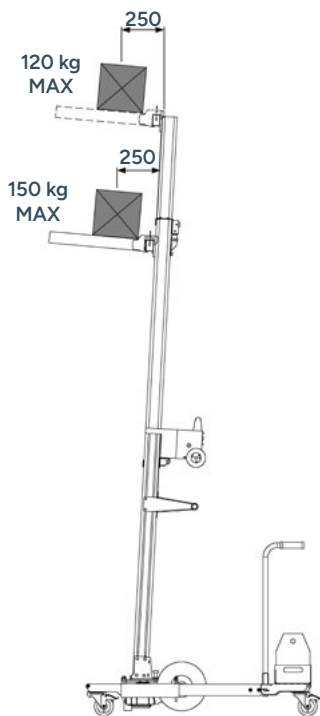


WITH L-SHAPED FORKS

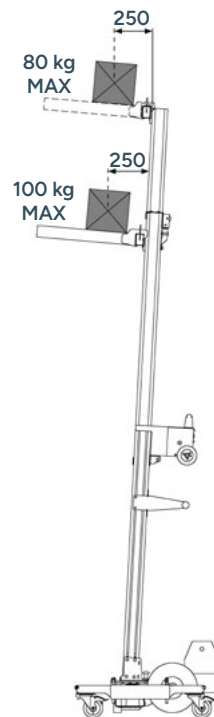


WITH STRAIGHT FORKS

Maximum load lifting capacity



JUNIOR



JUNIOR LIGHT

conceived, developed and built by:

FEMAK

SILCOMNORTH UAB

www.silcomnorth.com

hello@silcomnorth.com

Phone +370 67216691

A. Goštauto g. 8, Vilnius 01108, Lithuania