

# Nova **Series**

BUILT TO IMPRESS



**Neomach**



# Nova

S E R I E S

Nova is the new multifunctional machine that revolutionizes the segment standards. The compact size grants efficiency, maneuverability, visibility and high comfort; elements perfectly integrated with the wide range of attachments allowing the most various kinds of use.

## Nova x30

## Nova x40

<b>Engine</b>	Kubota D1305 E4B Stage V	Kohler KSD 1403 Stage V
<b>Displacement</b>	1261 cc	1400 cc
<b>Power</b>	26 cv at 2600 RPM	26 cv at 2600 RPM
<b>Cooling</b>	Combined cooler for hydraulic oil ad engine cooling liquid	
<b>Transmission</b>	4 wheel drive	
<b>Hydraulic flow</b>	43 l/min at 200 bar	
<b>Standard tires</b>	23x10.50-12 agri	26x12.00-12 tractor
<b>Driving space</b>	Platform suspended on silent-blocks	
<b>Joystick</b>	Proportional with hydraulic flow memorization - ergonomic with movements linked to the seat	
<b>Visibility</b>	360° - Piena full visibility on front wheels and attachments	360°
<b>Lifting height (at the pin)</b>	2860 mm	2990 mm
<b>Tipping load*</b>	1240 kg	1405 kg
<b>Lifting capacity*</b>	1080 kg	1290 kg
<b>Floating boom</b>	Standard	Standard
<b>Self-levelling boom</b>	Standard	Standard
<b>Differential lock</b>	Standard	Standard
<b>Hydraulic multiconnector</b>	Standard - 1 double acting circuit + 1 oil reflow	
<b>Integrated backweights</b>	100 kg standard + 100 kg optional	200 kg standard + 160 kg optional
<b>Weight with standard canopy</b>	1710 kg	1800 kg
<b>Weight with cab</b>	1610 kg	1900 kg
<b>Standard work lights</b>	2 front LED + 1 rear LED	

\* Load center of gravity at 50 cm from attachment coupling plate, height 10 cm (tipping load) o 1 m (lifting capacity) from the ground, telescopic boom not extended, machine straight, equipped with additional backweights, weight of the attachment included.



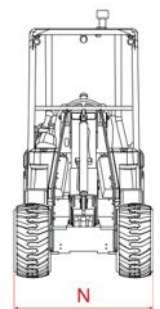
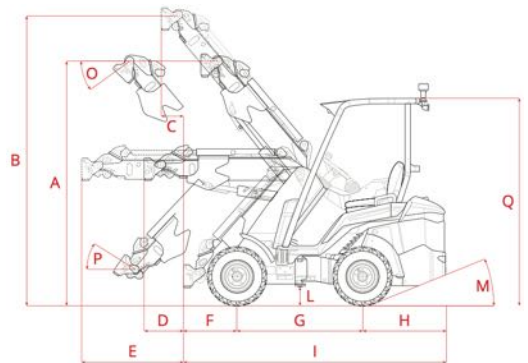


## DIMENSIONS

### X30

### X40

A. Height at pin (boom not extended standard tires)	2350 mm	2441 mm
B. Height at pin (boom extended standard tires)	2860 mm	2990 mm
C. Max overhang w/ boom lifted (extended)	185 mm	150 mm
D. Max overhang w/ boom lifted (not extended)	390 mm	330 mm
E. Max overhang w/ boom horizontal (extended)	990 mm	1010 mm
F. Front overhang	545 mm	630 mm
G. Wheelbase	1200 mm	1200 mm
H. Rear overhang	800 mm	864 mm
H1. Rear overhang w/ backweights	861 mm	899 mm
I. Length	2530 mm	2714 mm
L. Ground clearance (standard wheels)	180 mm	200 mm
M. Angle of departure	20°	20°
M1. Angle of departure w/ backweights	20°	20°
N. Width (standard wheels)	1070 mm	1200
O. Dump angle	33.5°	33.5°
P. Load angle	37°	37°
Q. Height (standard wheels)	1985 mm	2013 mm



## x30

Tires	Height	Width	Lift. height
23x10.50-12	1985 mm	1070 mm	2825 mm
23x8.50-12	1980 mm	980 mm	2820 mm
26x12.00-12	2020 mm	1220 mm	2860 mm

## x40

Tires	Height	Width	Lift. height
26x12.00-12	2013	1200	2990 mm
27x8.50-15	2040 mm	980 mm	3010 mm
23x8.50-12	1980 mm	980 mm	2950 mm





**SILCOMNORTH UAB**

[www.silcomnorth.com](http://www.silcomnorth.com)

[hello@silcomnorth.com](mailto:hello@silcomnorth.com)

Phone +370 67216691

A. Goštauto g. 8, Vilnius 10312, Lithuania



2024/01 - 020990010 - EN



All information and images present in this document have a fully illustrative purpose.

The manufacturer is entitled to modify them at any moment without any previous notice. © Copyright 2024 - All Rights Reserved - Neomach srl