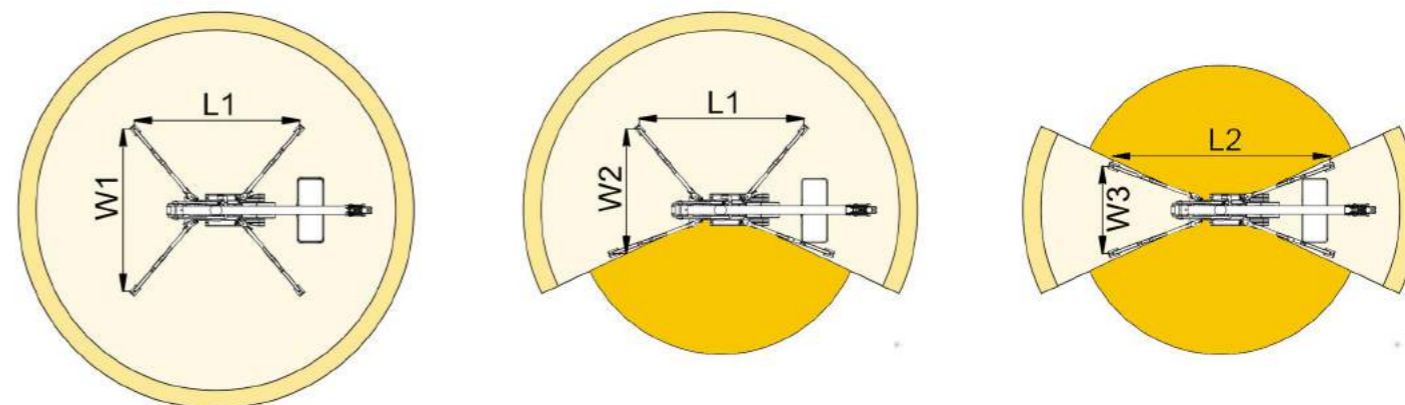
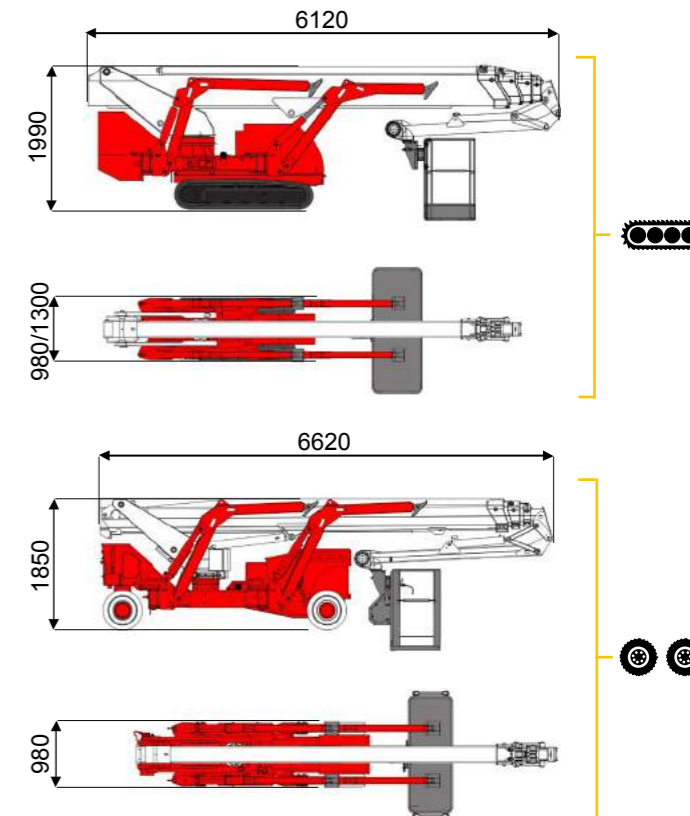
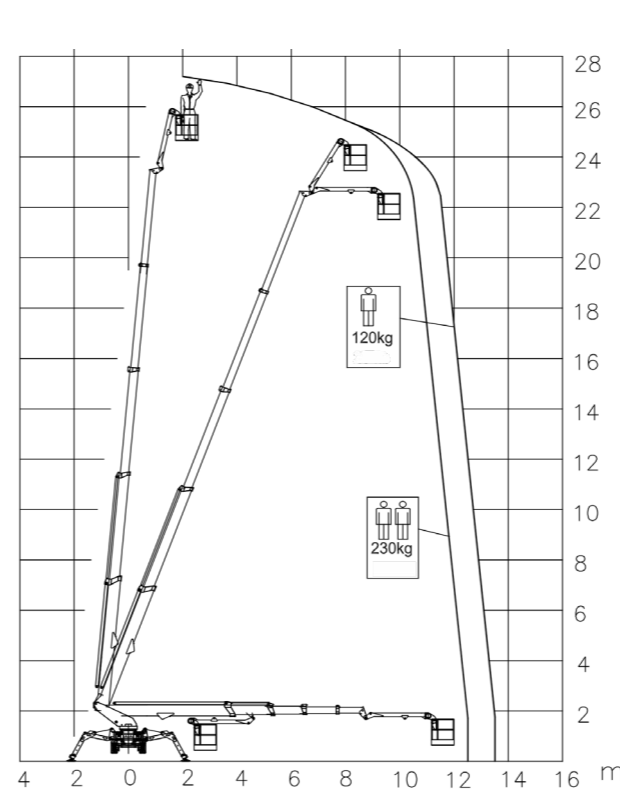




**27 m** ↑  
**13,5 m** →  
**230 Kg** 👤 👤



12,5 m	13,5 m	7 m	L1	L2	W1	W2	W3
230 kg	120 kg	120/230 kg	4927 mm	6436 mm	4791 mm	3828 mm	2865 mm

**BI-ENERGY**  
Diesel+AC



**TSJ 27/C**



27 m    13,5 m    230 kg    170°    660°    180x70 cm    90°+80°    2,87-4,79 m    44%    42%    2 km/h    4580 kg    29 kN    1,94 kN/m<sup>2</sup>    4,16 kN/m<sup>2</sup>

**TSJ 27/R**



27 m    13,5 m    230 kg    170°    660°    180x70 cm    90°+80°    2,87-4,79 m    44%    29%    2 km/h    4700 kg    29 kN    1,99 kN/m<sup>2</sup>    3,94 kN/m<sup>2</sup>

Available version:

- BI-ENERGY (DIESEL+AC)
- ECO (DC+AC)
- HYBRID (DIESEL+DC)

Characteristics and technical data are informative only and subjected to change without notice.



Silcom North UAB  
BALTIC OFFICIAL DELAER  
hello@silcomnorth.com  
Phone +370 67216691  
www.silcomnorth.com  
Antakalnio g. 17 Vilnius 10312  
**Lithuania**  
Company Code 30447488  
VAT Code LT100010886914

COMPANY WITH  
QUALITY SYSTEM  
CERTIFIED BY DNV GL  
= ISO 9001 =