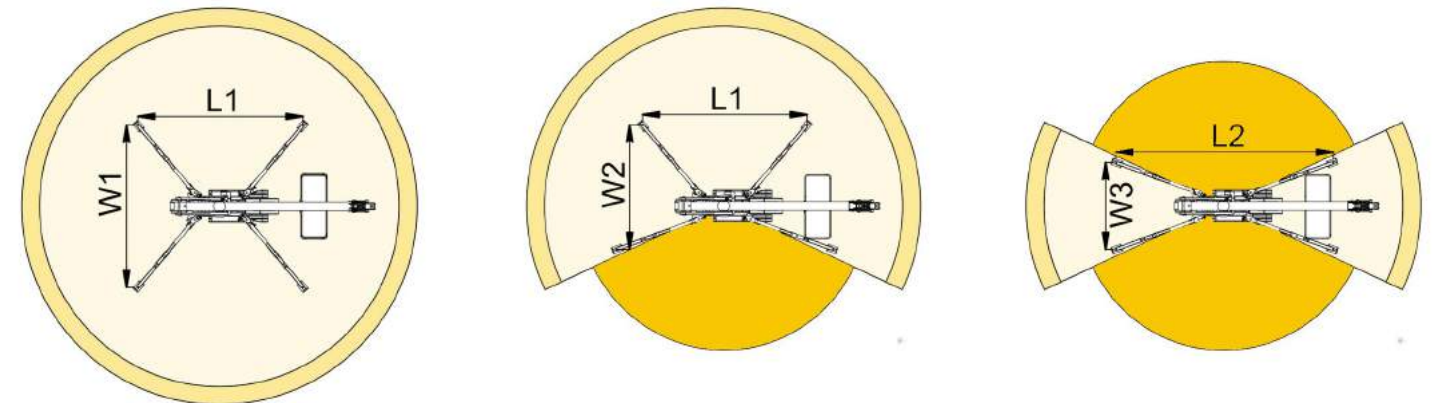
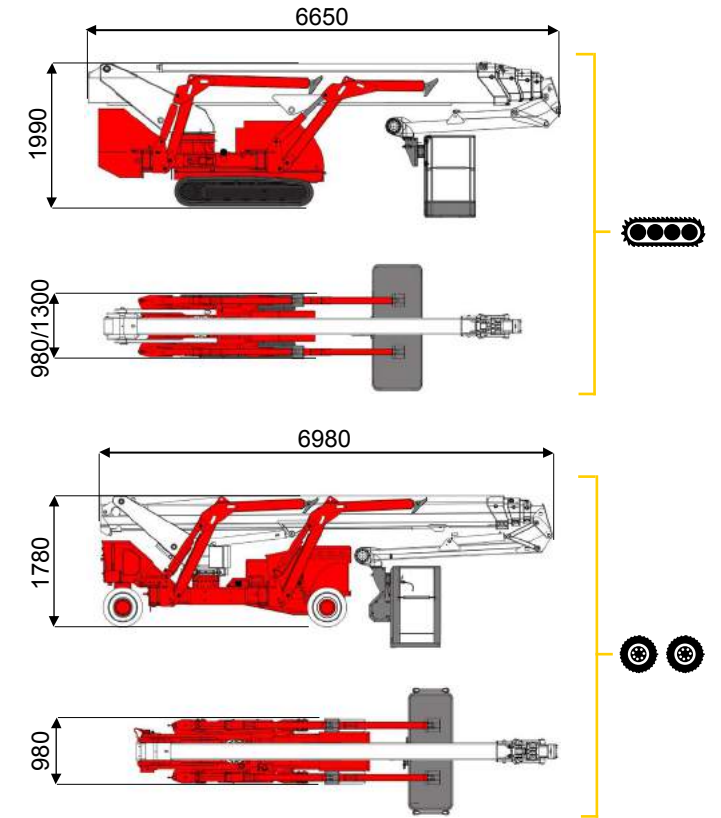
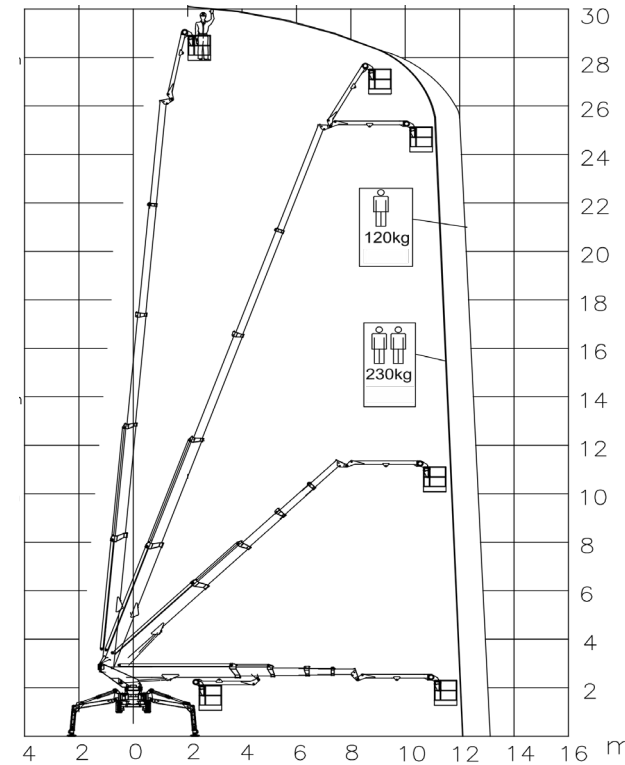


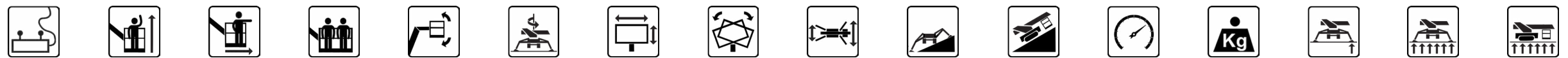


30 m ↑
13 m →
230 Kg 👤 👤



12 m	13 m	8 m	L1	L2	W1	W2	W3
230 kg	120 kg	120/230 kg	4927 mm	6436 mm	4791 mm	3828 mm	2865 mm

BI-ENERGY
Diesel+AC



TSJ 30.1/C	🔌	30 m	13 m	230 kg	170°	660°	180x70 cm	90°+80°	2,87-4,97 m	44%	42%	1 km/h	4650 kg	29 kN	1,9 kN/m ²	3,88 kN/m ²
TSJ 30.1/R	⊙ ⊙	30 m	13 m	230 kg	170°	660°	180x70 cm	90°+80°	2,87-4,97 m	44%	29%	2 km/h	4840 kg	29 kN	1,98 kN/m ²	3,85 kN/m ²

Available version:

- BI-ENERGY (DIESEL+AC)
- ECO (DC+AC)
- HYBRID (DIESEL+DC)

Characteristics and technical data are informative only and subjected to change without notice.



Silcom North UAB
BALTIC OFFICIAL DELAER
hello@silcomnorth.com
Phone +370 67216691
www.silcomnorth.com
Antakalnio g. 17 Vilnius 10312
Lithuania
Company Code 30447488
VAT Code LT100010886914

COMPANY WITH
QUALITY SYSTEM
CERTIFIED BY DNV GL
= ISO 9001 =