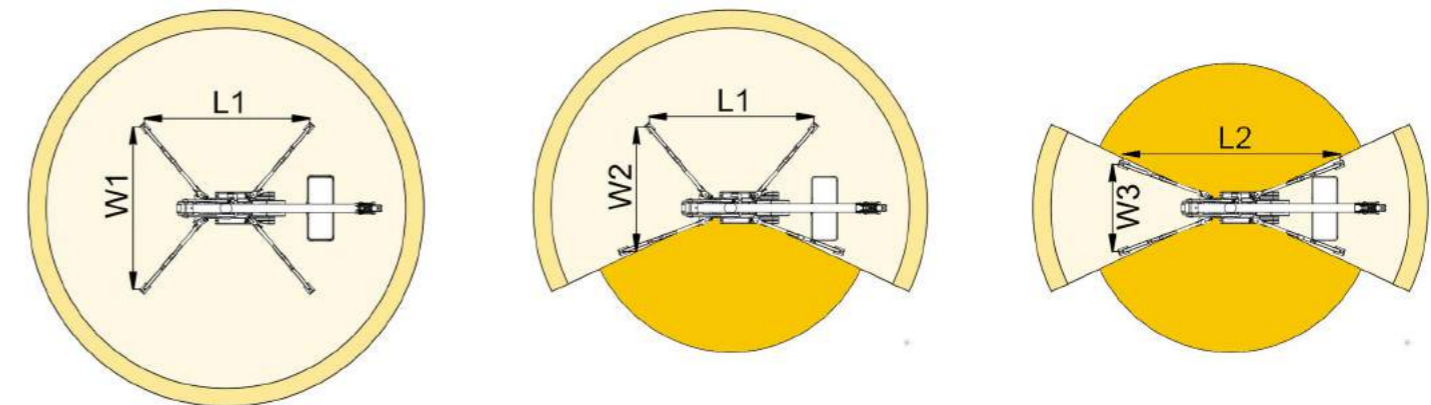
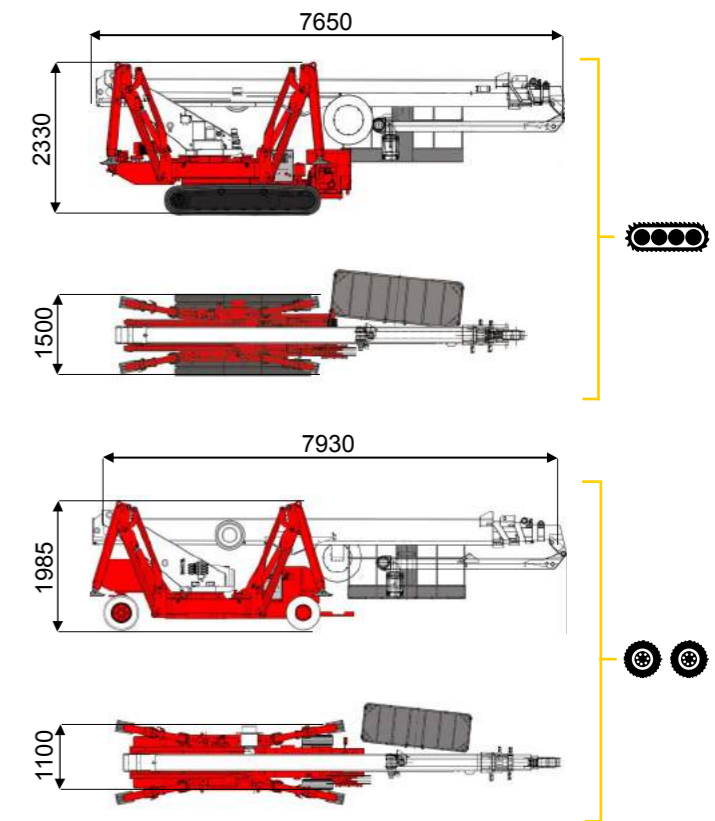
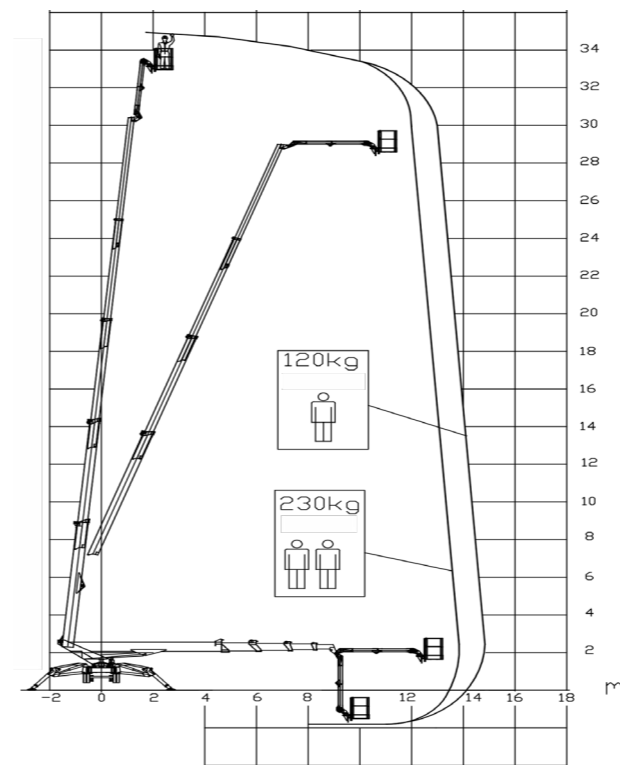


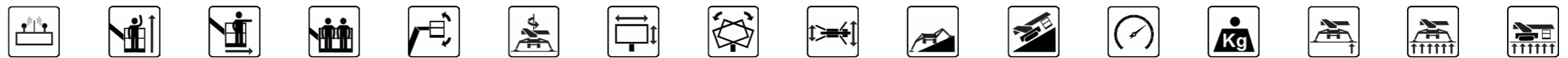


**35 m** ↑  
**15 m** →  
**230 Kg** 👤 👤



13,5 m	15 m	8 m	L1	L2	W1	W2	W3
230 kg	120 kg	120/230 kg	4980 mm	5930 mm	4200 mm	3476 mm	2740 mm

**BI-ENERGY**  
Diesel+AC



<b>TSJ 35/C</b>	🔋	35 m	15 m	230 kg	170°	660°	180x70 cm	90°+80°	2,74-4,20 m	14%	49%	2 km/h	6600 kg	42 kN	3,16 kN/m <sup>2</sup>	4,79 kN/m <sup>2</sup>
<b>TSJ 35/R</b>	🔋🔌	35 m	14 m	230 kg	170°	660°	180x70 cm	90°+80°	2,74-4,20 m	31%	12%	1 km/h	6800 kg	42 kN	3,25 kN/m <sup>2</sup>	4,76 kN/m <sup>2</sup>

Available version:

- BI-ENERGY (DIESEL+AC)
- ECO (DC+AC)
- HYBRID (DIESEL+DC)

Characteristics and technical data are informative only and subjected to change without notice.



COMPANY WITH  
QUALITY SYSTEM  
CERTIFIED BY DNV GL  
= ISO 9001 =



Silcom North UAB  
BALTIC OFFICIAL DELAER  
hello@silcomnorth.com  
Phone +370 67216691  
www.silcomnorth.com  
Antakalnio g. 17 Vilnius 10312  
**Lithuania**  
Company Code 30447488  
VAT Code LT100010886914