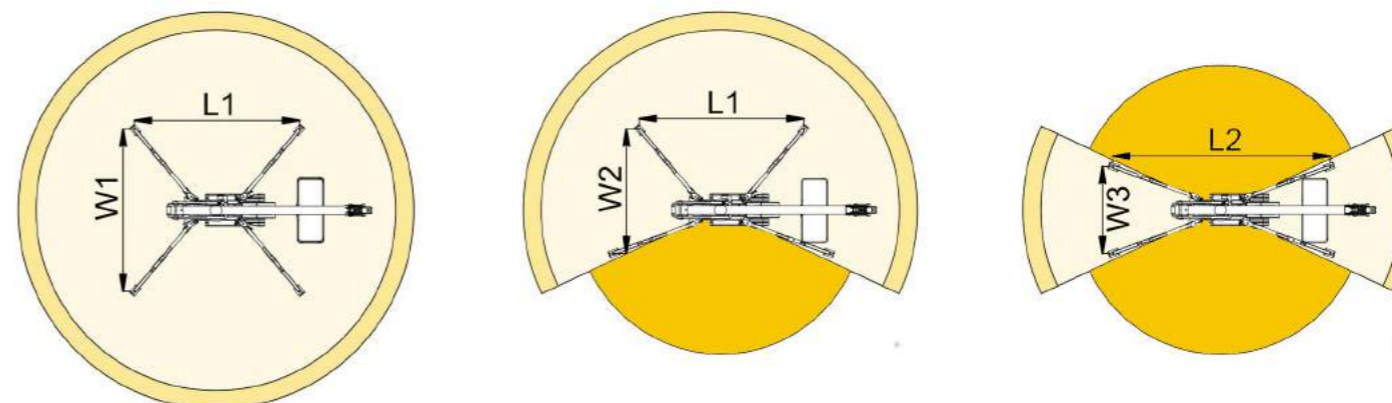
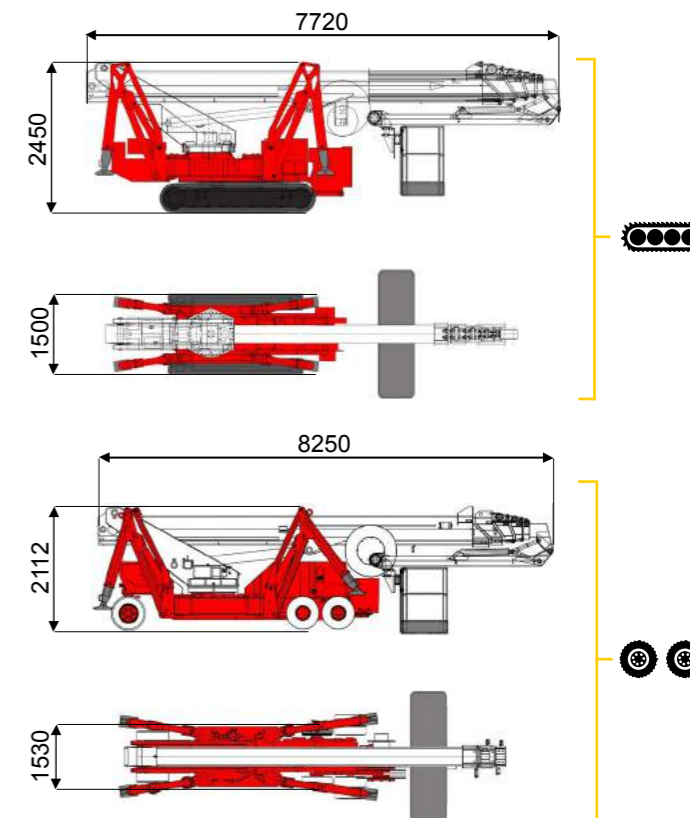
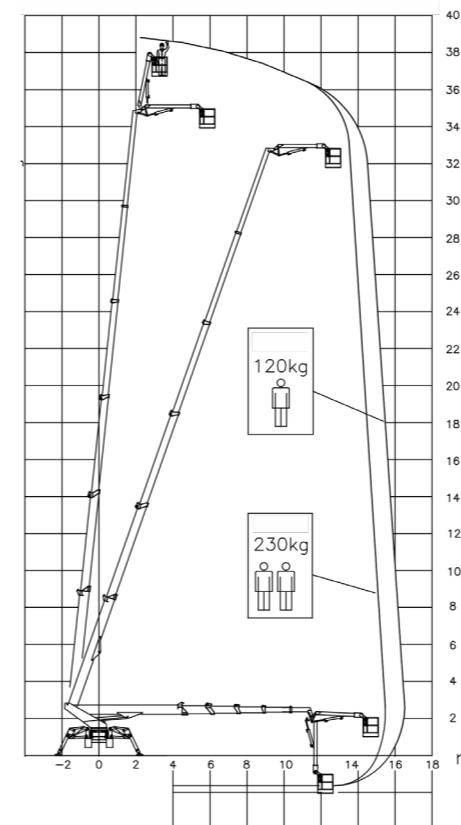




39 m ↑
16,5 m →
230 Kg 👤 👤



15,5 m	16,5 m	10 m	L1	L2	W1	W2	W3
230 kg	120 kg	120/230 kg	4960 mm	6200 mm	4700 mm	3810 mm	2920 mm

BI-ENERGY
Diesel+AC



TSJ 39/C

🚧	39 m	16,5 m	230 kg	170°	660°	240x70 cm	90°+80°	2,92-4,7 m	18%	40%	2 km/h	8200 kg	47 kN	3,52 kN/m ²	4,43 kN/m ²
---	------	--------	--------	------	------	-----------	---------	------------	-----	-----	--------	---------	-------	------------------------	------------------------

TSJ 39/R

🚧	39 m	16,5 m	230 kg	170°	660°	240x70 cm	90°+80°	2,92-4,7 m	31%	12%	2 km/h	8200 kg	47 kN	3,52 kN/m ²	4,14 kN/m ²
---	------	--------	--------	------	------	-----------	---------	------------	-----	-----	--------	---------	-------	------------------------	------------------------

Available version:

- BI-ENERGY (DIESEL+AC)
- ECO (DC+AC)
- HYBRID (DIESEL+DC)

Characteristics and technical data are informative only and subjected to change without notice.



Silcom North UAB
BALTIC OFFICIAL DELAER
hello@silcomnorth.com
Phone +370 67216691
www.silcomnorth.com
Antakalnio g. 17 Vilnius 10312
Lithuania
Company Code 30447488
VAT Code LT100010886914

COMPANY WITH
QUALITY SYSTEM
CERTIFIED BY DNV GL
= ISO 9001 =