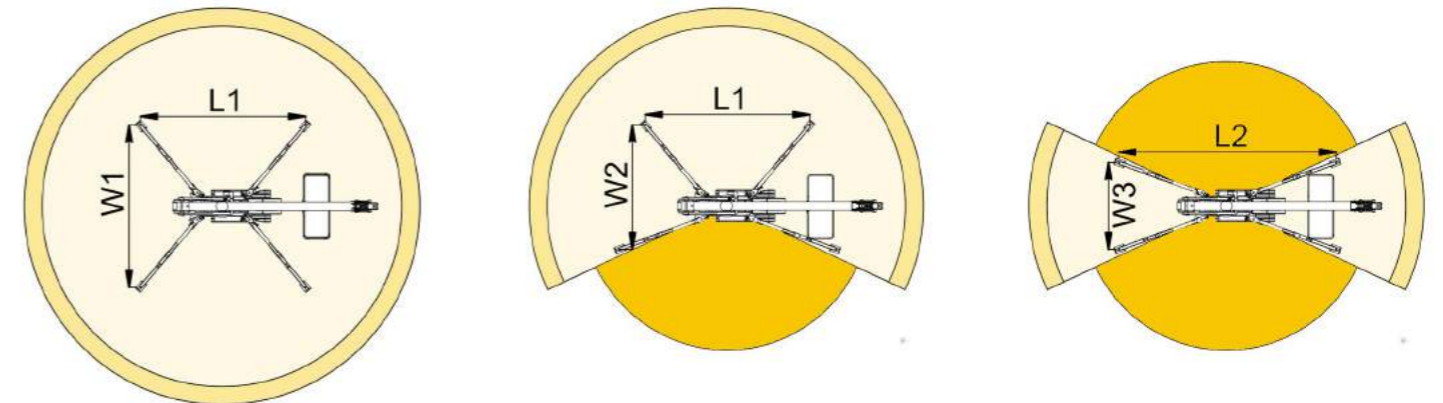
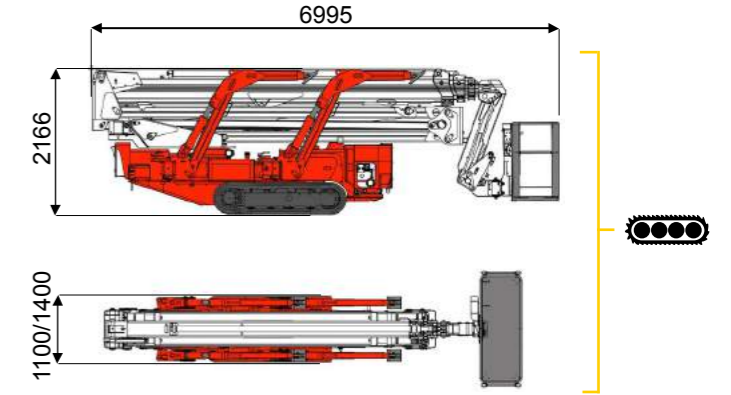
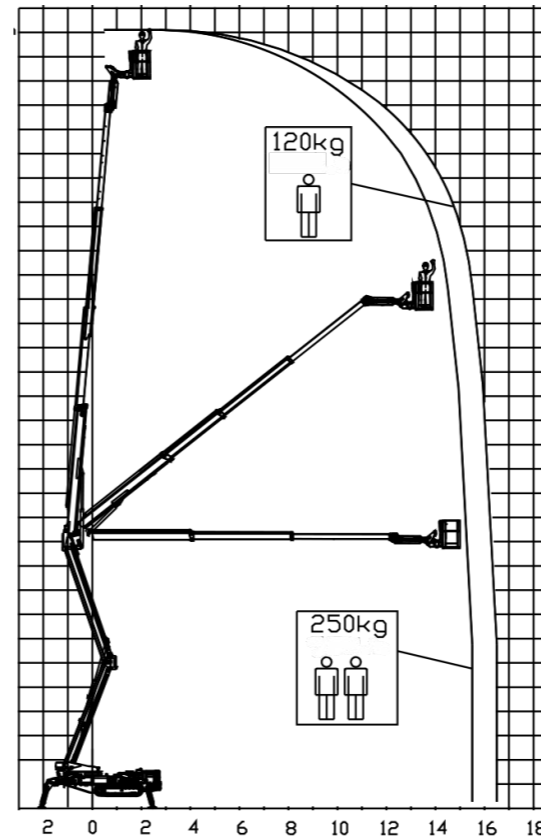


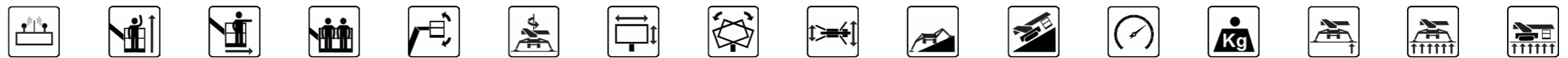


**32 m** ↑  
**16,5 m** →  
**250 Kg** 👤 👤



15,5 m	16,5 m	9,5 m	L1	L2	W1	W2	W3
250 kg	120 kg	120/250 kg	4725 mm	6170 mm	4910 mm	4020 mm	3130 mm

**BI-ENERGY**  
Diesel+AC



**TZ 330+/C** 🚧 32 m 16,5 m 250 kg 170° 660° 180x70 cm 90°+90° 3,13-4,91 m 18% 32% 2,4 km/h 6700 kg 49 kN 2,89 kN/m<sup>2</sup> 5,32 kN/m<sup>2</sup>

Available version:

- BI-ENERGY (DIESEL+AC)
- ECO (DC+AC)
- HYBRID (DIESEL+DC)

Characteristics and technical data are informative only and subjected to change without notice.



COMPANY WITH  
QUALITY SYSTEM  
CERTIFIED BY DNV GL  
= ISO 9001 =



Silcom North UAB  
BALTIC OFFICIAL DELAER  
hello@silcomnorth.com  
Phone +370 67216691  
www.silcomnorth.com  
Antakalnio g. 17 Vilnius 10312  
**Lithuania**  
Company Code 30447488  
VAT Code LT100010886914