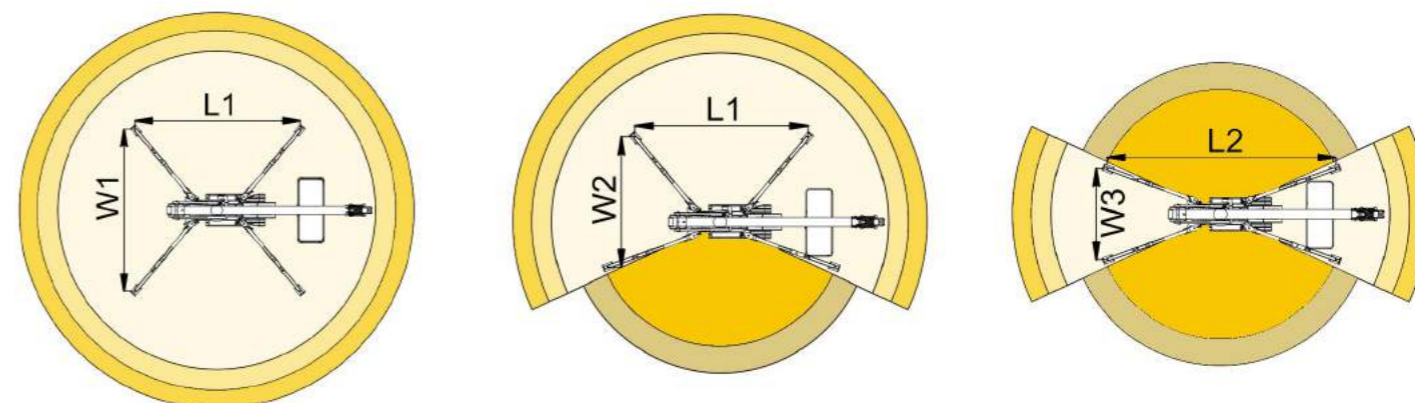
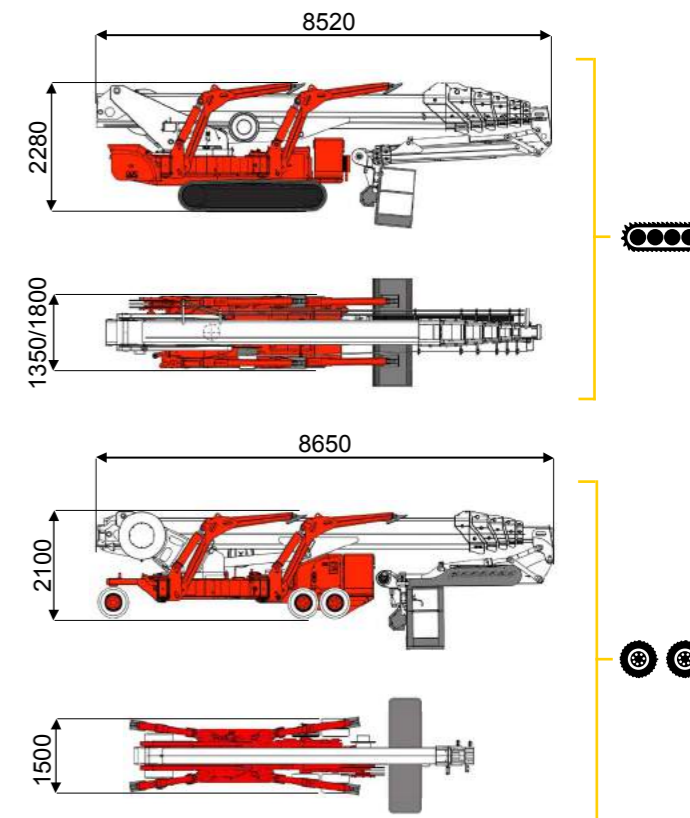
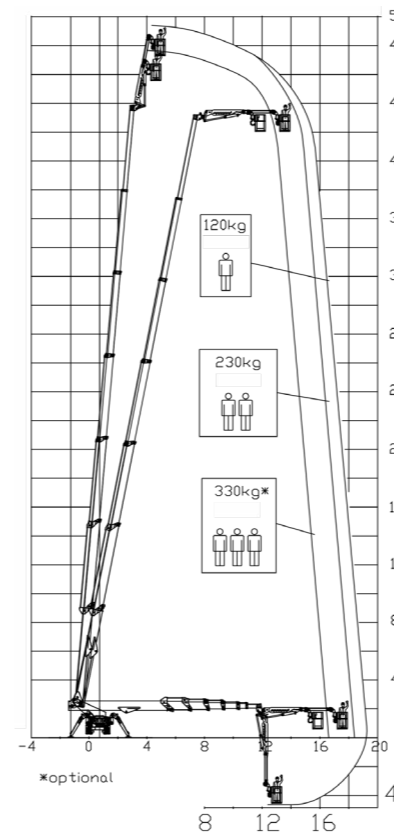




**49 m** ↑  
**19,3 m** →  
**330 Kg\*** 👤👤👤



16,8 m	18,5 m	19,3 m	13,8 m	15,5 m	L1	L2	W1	W2	W3
330 kg*	230 kg	120 kg	330 kg*	120/230 kg	6460 mm	7190 mm	5170 mm	4655 mm	4130 mm

**BI-ENERGY**  
Diesel+AC



<b>XTJ 48.1<sup>+</sup>/C</b> 🚫	49 m	19,3 m	330 kg*	170°	660°	240x70 cm	90°+80°	4,13-5,17 m	23%	38%	2 km/h	10900 kg	75 kN	3,26 kN/m <sup>2</sup>	5,33 kN/m <sup>2</sup>
<b>XTJ 48.1<sup>+</sup>/R</b> 🚫🚫	49 m	19,3 m	330 kg*	170°	660°	240x70 cm	90°+80°	4,13-5,17 m	23%	16%	1 km/h	10900 kg	75 kN	3,26 kN/m <sup>2</sup>	5,25 kN/m <sup>2</sup>

Available version:

- BI-ENERGY (DIESEL+AC)
- ECO (DC+AC)
- HYBRID (DIESEL+DC)

Characteristics and technical data are informative only and subjected to change without notice.



Silcom North UAB  
BAL TIC OFFICIAL DELAER

hello@silcomnorth.com  
Phone +370 67216691  
www.silcomnorth.com  
Antakalinio g. 17 Vilnius 10312

**Lithuania**  
Company Code 30447488  
VAT Code LT100010886914

COMPANY WITH  
QUALITY SYSTEM  
CERTIFIED BY DNV GL  
= ISO 9001 =