

Series CLF4

 Kg max
350

 Power supply
Batteries



Vacuum lifter CLF4 is the perfect solution for installation of sandwich roof panels. It is equipped with **4 suction pads (800 x 120 mm)**, resulting in a maximum lifting capacity of 350kg.

CLF4 can lift different types of sandwich roof panels, including **smooth, micronervated, and corrugated**, either in mineral wool or polyurethane. In addition to this, CLF4 can also be customized to lift special panels, such as roof-tile effect ones.

The frame of this lifter is fixed horizontally, and the central beam can be 2000mm, 3000mm and 4000mm long. CLF4 is equipped with a **dual vacuum circuit** to operate on construction site in full compliance with EN13155.

Technical specification

Application	Sandwich roof panels installation
Lifting capacity	Max 350 kg
Suction pads	N. 4 suction pads (mm 800x120) Special gaskets for fast replacement
Load movement	Horizontal movement of the panel
Power supply	DC vacuum pump powered from on-board batteries High capacity re-chargeable batteries with battery level indicator Battery charger included
Vacuum system	2 independent vacuum circuits, each vacuum circuit with vacuum reserve and non-return valve
Weight of the lifter	Depends on configuration
Control	Manual ON/OFF valve for load suction and release Release of the load by dual action security command Radio remote control for load suction and release (optional)
Technical features	Audible and visual low vacuum warning devices Vacuum gauge for each vacuum circuit Dual vacuum reservoir Battery charger 240 Volt



Dual vacuum circuit
as per EN13155



Radio remote control
as optional



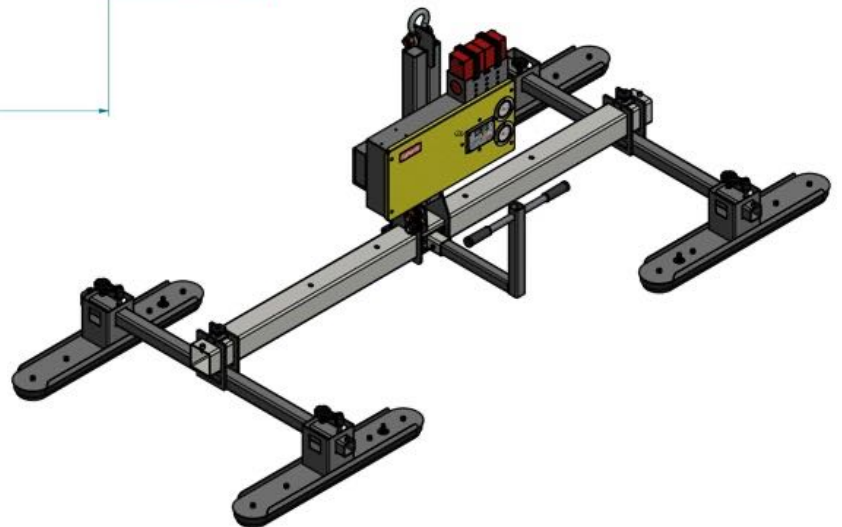
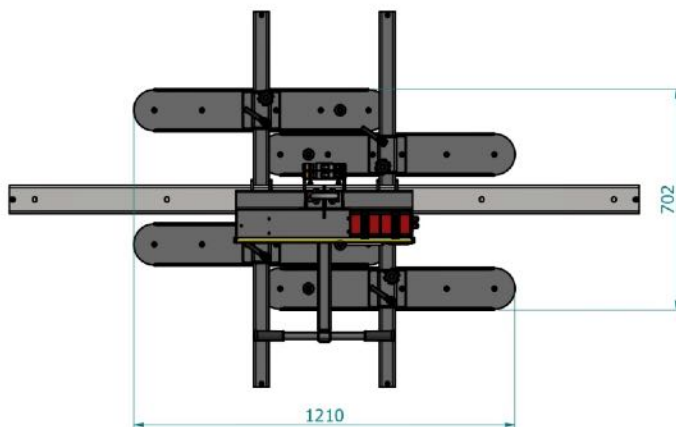
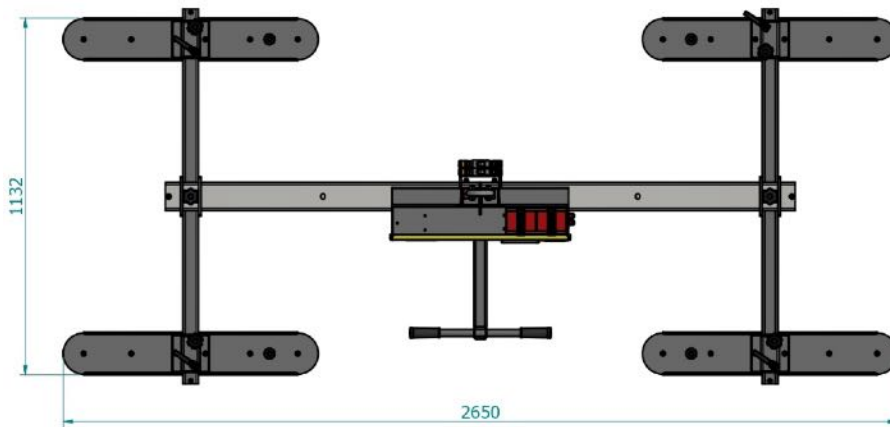
Fast-replacement
batteries



Safety devices



Technical drawings (2000mm configuration)



Available models

Capacity (kg)	N. pads	Central beam L	Product code	Max lenght of panel (*)
350	4	2000 mm	CLF4-2000	Up to 6/7 meters
350	4	3000 mm	CLF4-3000	Up to 9 meters
350	4	4000 mm	CLF4-4000	Up to 12 meters

*Max panels lenght is approximate, as it depends also on the texture of the panel itself.