

Righetti
smart vacuum lifters

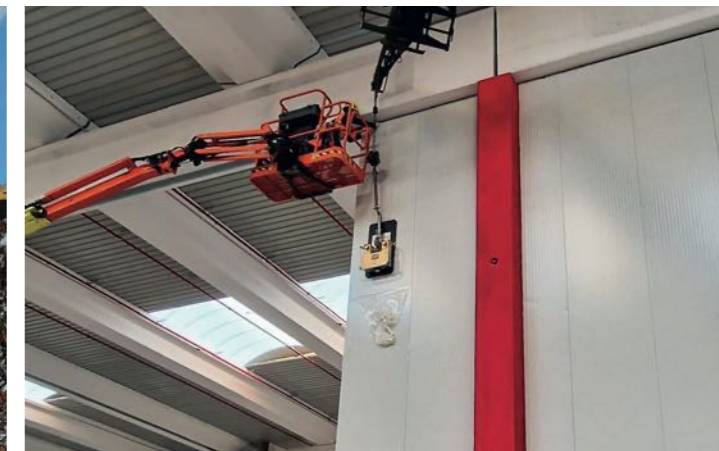


Vacuum lifters
specifically for
sandwich panels
and insulated panels

Vacuum
lifters
SPECIALISTS

People Behind Vacuum
Lifting Technology Excellence

Italian technology
and industrial craftsmanship:
your vacuum lifter
for every application



Specialists in Vacuum Lifters

For over 20 years, we have been working by combining our **typically Italian craftsmanship with a technological and industrial advancement**. The perfect mix of these two perspectives has led to the design and production of the broad range of vacuum lifters that we can offer you, both from the catalog and custom.

We like to provide our clients with **efficient and modular solutions**, that meet the requested deadlines and come with competent service catered to the customer.

In the past years, we have extended the coverage of our vacuum lifters' presence on a **global scale**. The experience we've gathered on the field helps us to give you accurate answers, no matter where you are.

The geographic area isn't a limit, but an opportunity to make new **long-lasting partnerships**. Investing in a Righetti means finding a reliable and efficient ally for optimizing your productivity.

Rely on our experience and continuous innovation to find the ideal vacuum lifter for your lifting needs.



**In-house design
and production**



**Highest standard
of safety**



**3500 m²
warehouse**



**International
shipments**

Righetti Vacuum Lifters specialists in vacuum lifters

We've been manufacturing
vacuum lifters
for over 20 years
to support you in
your daily work

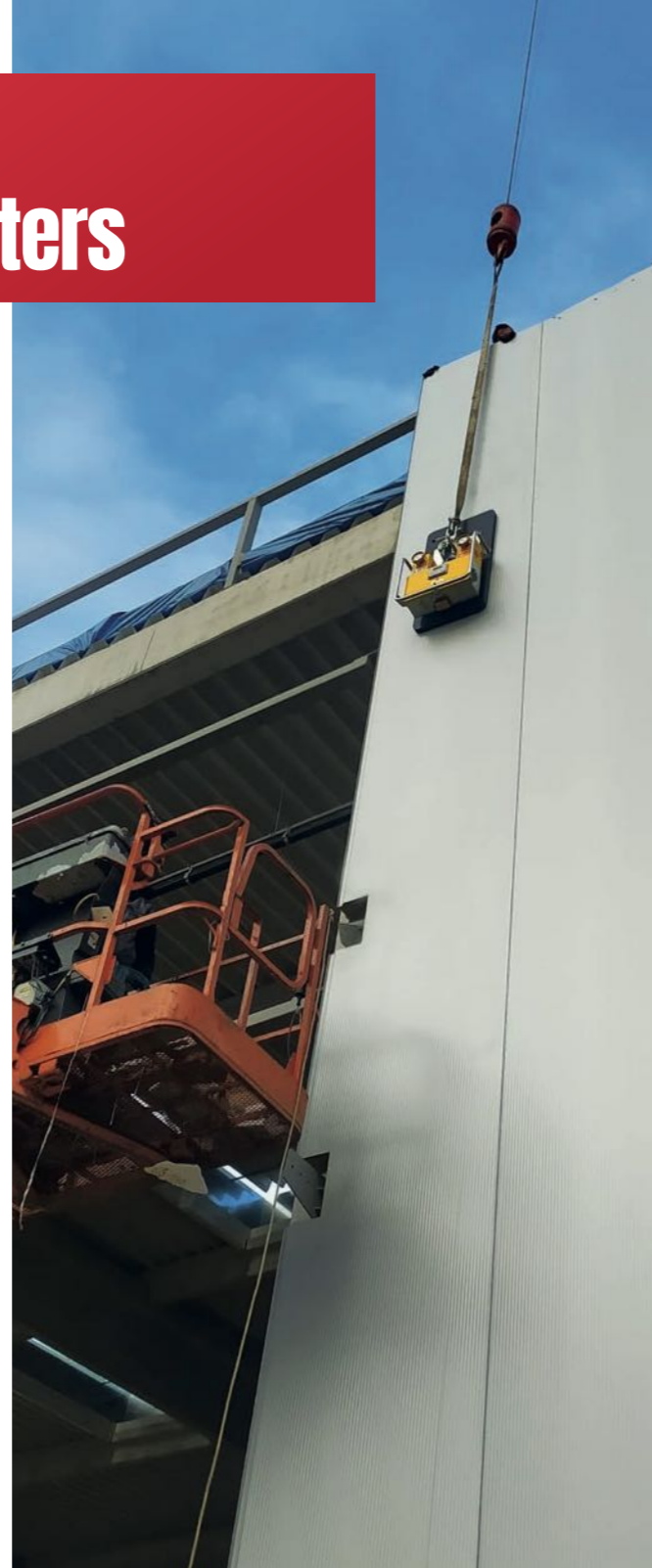
We decided to design our vacuum lifters with a flexible approach: by carefully listening to you and your needs, we transform your requests into a concrete, functional lifting equipment either by proposing you a standard model or by creating a custom one.

+1000
MODELS FOR:

Panels
Glass
Sheet metal
Marble
Ceramics

The only specialists
in vacuum lifters
for every industry.
Even yours.

Lifting so many types of material requires experience, nonstop research and development, and a lasting relationship with all customers. We know that, because we've worked like this since we created the first vacuum lifter.



3.500 m²
of production plant and warehouse

For a fast, efficient production. Righetti's new headquarters is big enough to guarantee speed, efficiency, and production quality. Whether the client asks for standard models immediately available or custom-made solutions, we can guarantee one of the industry's fastest production times.

Global presence, local support.
**We are here for you,
wherever you are.**



Specialists in solutions
for construction site



Custom solutions
for your needs



Over 1000 models
available

From Italy, our lifters
reach every country.

Distance is a growth
opportunity, not a challenge

Over the years, we have expanded our network all over the world, giving an international spirit to our handicraft soul. Our shipment methods and our knowledge of the global market guarantee **safe and punctual delivery** of your vacuum lifter.

**Well-stocked
warehouse to quickly
ship out the lifter**

**Efficiency from
production to delivery**

Years of experience and ongoing research allow us to constantly optimize our lifters, finding answers to all customer needs. Each aspect of Righetti vacuum lifters is meticulously designed, taking care to deliver up a safe, solid, and properly functioning product. Thanks to our internal warehouse that is always well-stocked, we also ensure you fast production to ship the product to you as soon as possible.

Righetti Service:
don't stop your job.

**Simple, fast,
concrete assistance.**

We give continual assistance even remotely: we are at your service with rapid and precise assistance over the phone and/or in video calls. We'll also skillfully guide you in selecting the accessories most suited to your needs to allow you to always work at your peak potential.

Plus, if you urgently need a spare part, we guarantee fast shipment thanks to the available stock in our warehouse.

fast
PRODUCTION



Safety and efficiency

Does working on construction sites make you concerned about worker safety and load protection?

Thanks to the dual vacuum circuit, our vacuum lifters fully meet EN13155 requirements. The two independent circuits, combined with a dual vacuum reservoir and safety alarms, allow you to forget about slings and boost your workflow.

Are you looking for a more efficient way of handling your sandwich panels?

Righetti vacuum lifters are designed for daily use, thus preventing potential hazards, speeding up installation times and reducing labour costs. Its ergonomic, intuitive design makes it easy to use and maintain.

Are you afraid that the lifters might ruin your material? Not with our gaskets.

The gaskets of our vacuum lifters are made out of high-quality materials that make the suction pads adhere perfectly to both smooth and ribbed surfaces, without damages.



Why choosing Righetti lifters?



✓ Because they make your job faster and easier.

Forget about handling your sandwich panels by slings, clamps or even manually. Righetti vacuum lifters are user-friendly and easy to handle even for just one worker, boosting your productivity up to three times higher than other systems.

✓ Because of removable and rechargeable batteries.

Work continuity on a construction site is essential. That's why our vacuum lifters are powered by easily removable and replaceable batteries. Plus, you'll always have a double extra kit and a convenient outer battery charger to take advantage of every minute.

✓ Because a faster installation means fewer costs for you.

Today, keeping costs down is fundamental. Thanks to the quick-grip system designed by Righetti, the lifter will considerably cut installation times and labor costs. Efficient timing and costs will make your business more competitive.

✓ Because they are suitable to any type of panel.

Wall, roof, for rooftop shaped, in polyurethane or mineral wool — it doesn't matter what type of installation you have to face. With Righetti cladding vacuum lifters you'll have a single equipment, easy to use and transport, for different applications.

MADE IN
ITALY

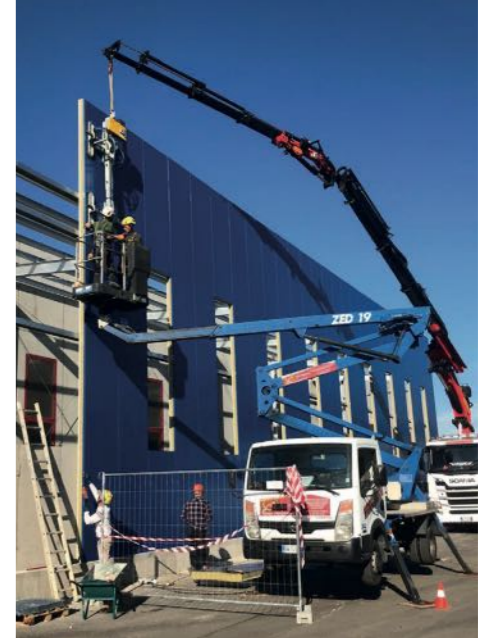
COMPLIANT WITH
EN13155





Fast suction and strong grip

Forget the fatigue of pushing down the vacuum lifter to make it adhere to the load; with a Righetti, all you have to do is press a button and the suction will take place in a few seconds.

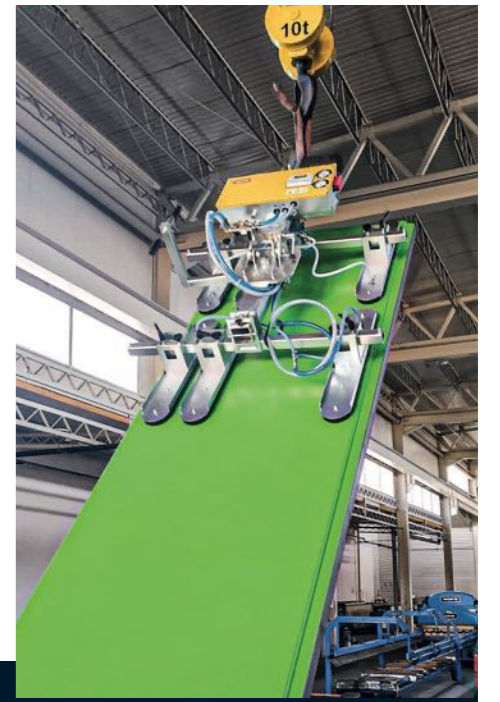


Swappable batteries to maximize your productivity

Righetti vacuum lifters for cladding come with an extra kit of rechargeable batteries to quickly replace the ones with low charge and never stop your job.

Safe and precise handling

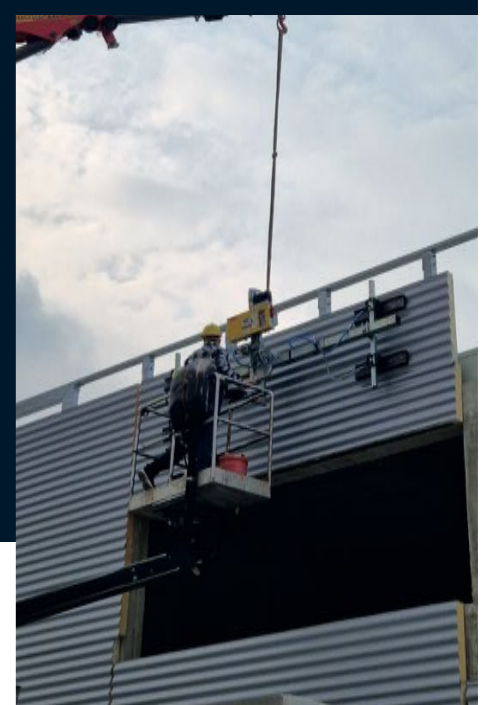
When we talk about horizontal and vertical tilting, we assure you a complete 90° motion that allows the handling of your load in a effortless way.



Cladding

Equip your lifter with special suction pads

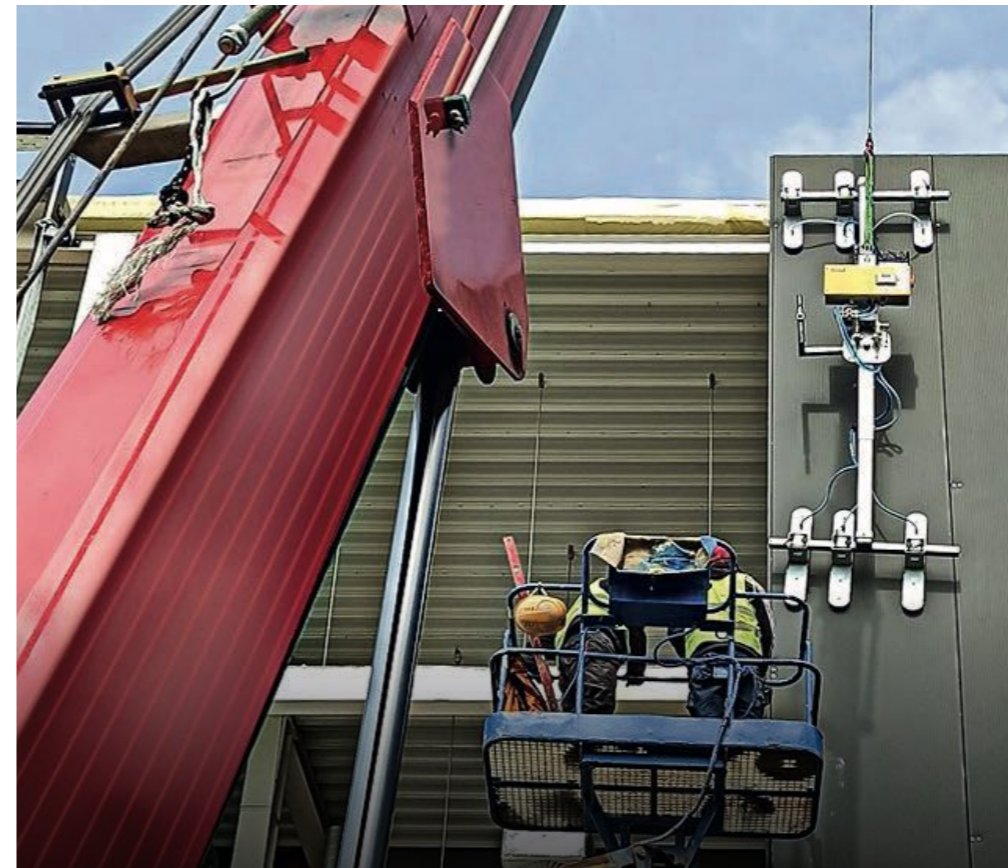
While standard suction pads are suitable for a large number of common panels, other profiles might need a different grip. Contact us to find the best solution.



CL1

The all-in-one vacuum lifters for installing both roof and wall panels

A modular lifting equipment powered by rechargeable batteries, designed to work in construction and renovation projects over time.



For panels made out of:

- Polyurethane
- Rock wool

With surfaces:

- Smooth
- Trapezoidal
- Micro-ribbed
- In roofing-tile effect

MADE IN
ITALY

fast
PRODUCTION

“With CL1, my team managed to install 4 times more sandwich panels in one day.. who would have thought it even possible?”

Horizontal panels



Roof panels



Vertical panels





Battery powered



Horizontal movement



Vertical movement



Manual tilt

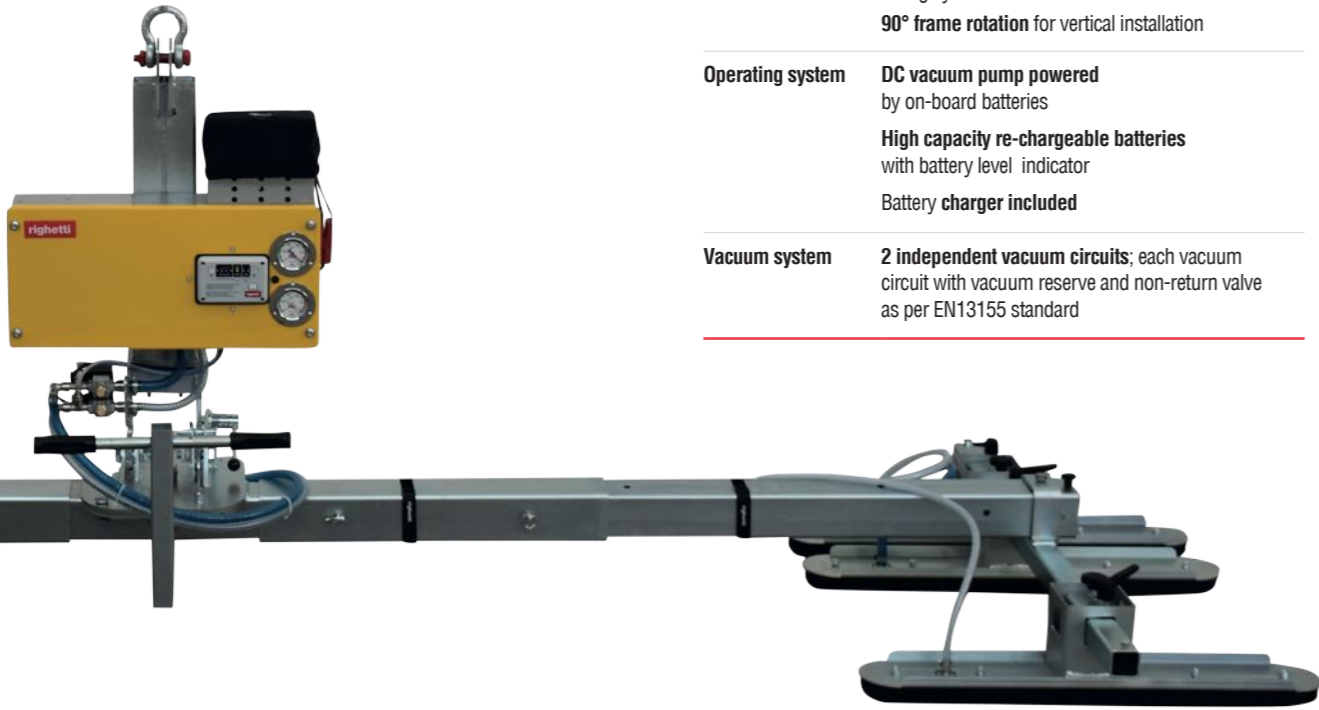


Dual vacuum circuit

CL1 Series

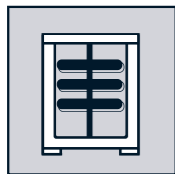
Technical specifications

| | |
|-------------------------|---|
| Capacity | CL1-6 max 400 kg CL1-4 max 250 kg |
| Suction pads | Rectangular pads mm 800x120 Specific fast-replacement gaskets |
| Load movement | Tilting system 0-90° 90° frame rotation for vertical installation |
| Operating system | DC vacuum pump powered by on-board batteries High capacity re-chargeable batteries with battery level indicator Battery charger included |
| Vacuum system | 2 independent vacuum circuits ; each vacuum circuit with vacuum reserve and non-return valve as per EN13155 standard |

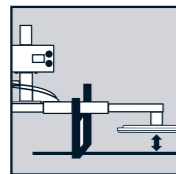


Not only a vacuum lifter, but a complete solution.

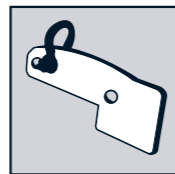
Accessories included



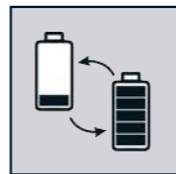
Forkable parking stand for easy storage and transport with protective cover included



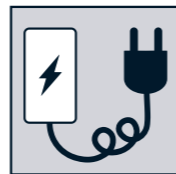
Steel base to support the assembled vacuum lifter when not in use



Tilt assistant bracket for making the movement extremely easy



Spare battery kit to easily replace the low ones without interrupting your job

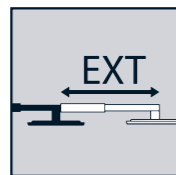


External charger to always have the spare batteries kit in charge

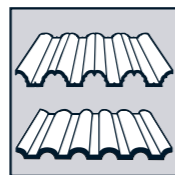
Optional extra



Remote control for wireless load aspiration and release



Extension arms to support even the longest panels (EXT)



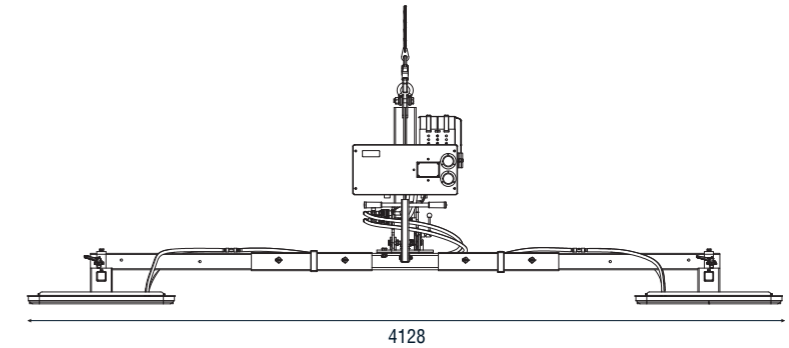
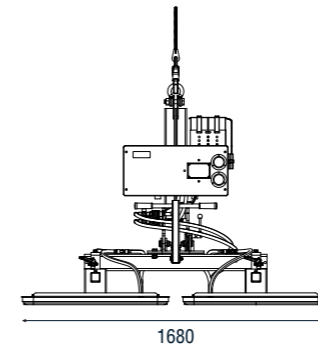
Special pads for lifting special panels (i.e. in roofing-tile effect)



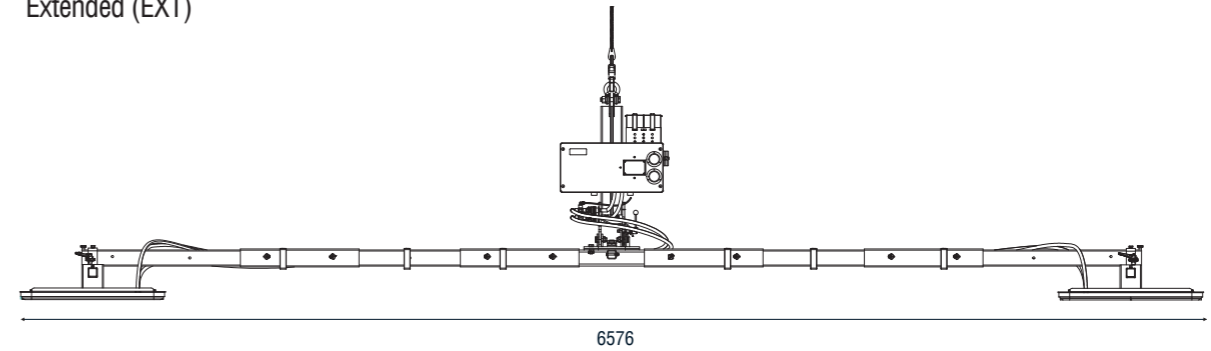
Additional alarm to increase safety on construction site

Configurations for installing roofing panels

Standard

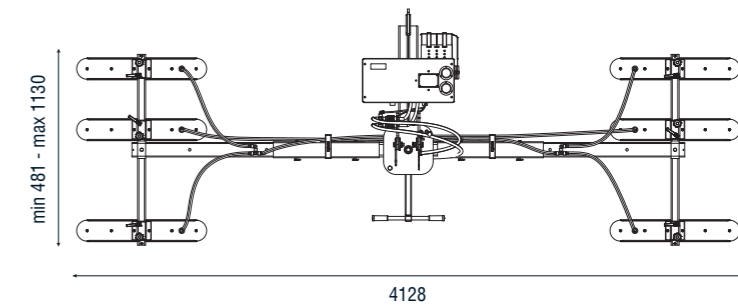
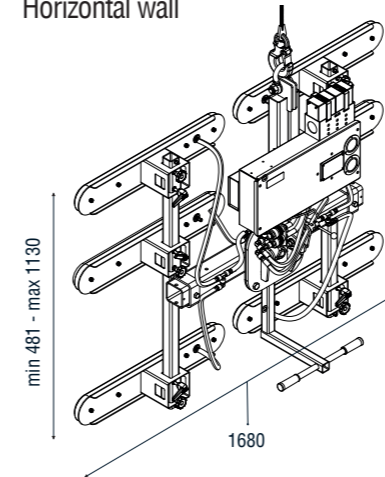


Extended (EXT)

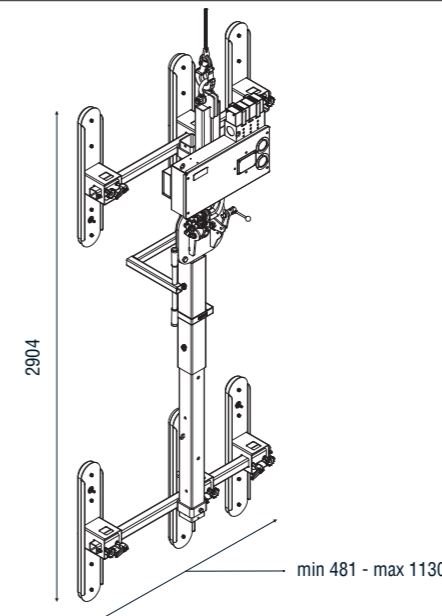
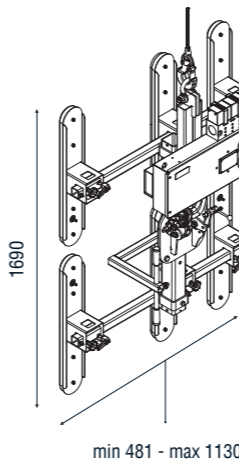


Configurations for installing wall panels

Horizontal wall



Vertical wall



Scan the QR code to see CL1 in action



7 reasons to choose CL1

Top technology improved over years of working together with our clients on a global level

01 Specific pads for insulated panels: quick grip and immediate suction

Righetti's R&D division designed ad hoc gaskets for sandwich panels that guarantee an immediate grip, whether the surface is smooth, ribbed or trapezoidal.

02 Double kit of removable batteries for longer working hours

Cordless, battery-operated vacuum lifters make your job easier and faster. To maximize your safety, a warning light will always signal the battery level. In case of low charge, the batteries can be swapped with the extra kit included to ensure uninterrupted operation.

03 Tool-free assembly and fast configuration change

The vacuum lifter is equipped with modular structures and quick-action couplings that allow rapid change from one configuration to another, without the need for tools.

04 Sturdy, robust structure

The vacuum lifter's frame is designed not to yield, galvanized for durability and assembled to give you maximum reliability. CL1 will handle your panels over time, without sagging.

05 Tilting structure for a perfect wall panels installation

The tilting system built by Righetti allows you to easily and smoothly take the panel from a horizontal position and install it vertically, availing of an ad hoc bracket. Tilting the sandwich panel by 90° will no longer require any manual intervention, fatigue or effort.

06 Greater support even for longer and heavier panels

The length and weight of sandwich panels are no longer a concern. With the addition of two beam extensions, CL1 expands ensuring maximum stability no matter the panel's length.

07 Suction pads for special surfaces

In case of sandwich panels with different profiles than the most common ones, we can offer you a wide range of suction pads specifically designed for the scope.

Perks to hold on:

Even more competitive with Righetti's vacuum lifters

Our cutting-edge vacuum lifter will make you one of the most competitive in your industry: wall installation, roof installation, alternative pads for special panels, all within a single equipment to be even more efficient.

Compactness and modularity for easier transport and storage

Each component of our CL1 cladding lifter also serves to assemble the lifter's own parking stand. Folding into a forkable, pallet-sized stand, the modular frame of our vacuum lifter makes transport and storage a breeze.



Safe for the load and the worker

The vacuum's control unit: a guarantee for your panels

Automatic shutdown of the vacuum pump, constant control of the safety threshold, battery economizer — all in one of the most high-performing control units in the industry.

Dual vacuum reservoir, dual circuit: increase your safety

The capacious vacuum reservoir begins operating if there is a malfunction of the main power to always guarantee the load is held. Moreover, thanks to the two independent vacuum circuits hooked up to the lifters in a crisscrossed manner, the balance and hold of the load will be guaranteed in any situation.

Comprehensive Safety

The lifter is also equipped with a self-powered acoustic and visual alarm system to warn of any dangerous situations.



CLW

The compact, yet powerful vacuum lifter for installing vertical and horizontal wall panels

Specific vacuum lifters for **handling wall, infill, or cold room panels** both indoors and outdoors

MADE IN
ITALY

fast
PRODUCTION

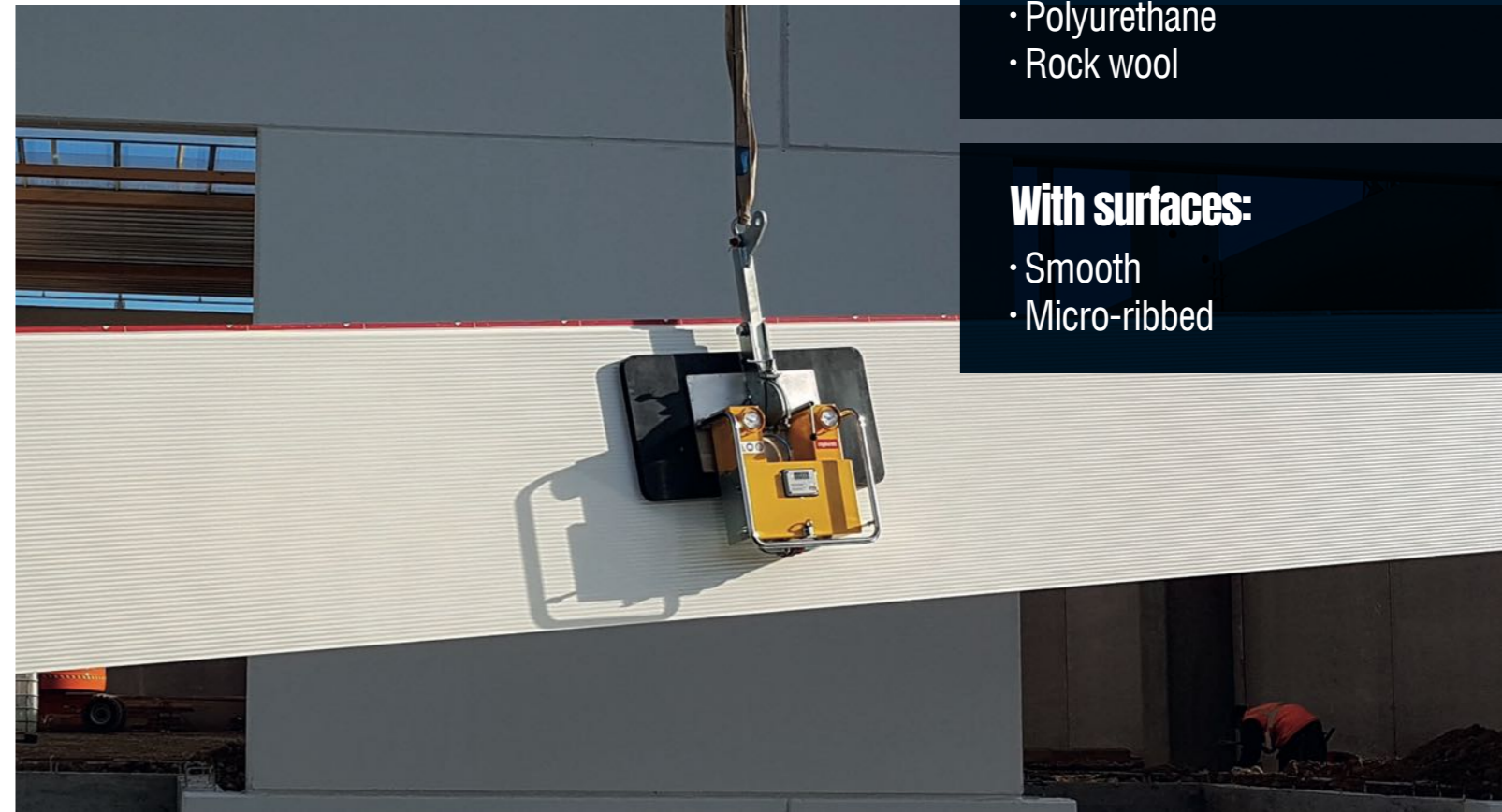
*“What a **mighty suction** compressed in such a compact lifter! And the **radio remote control** makes cladding jobs a child’s play.”*

For panels made out of:

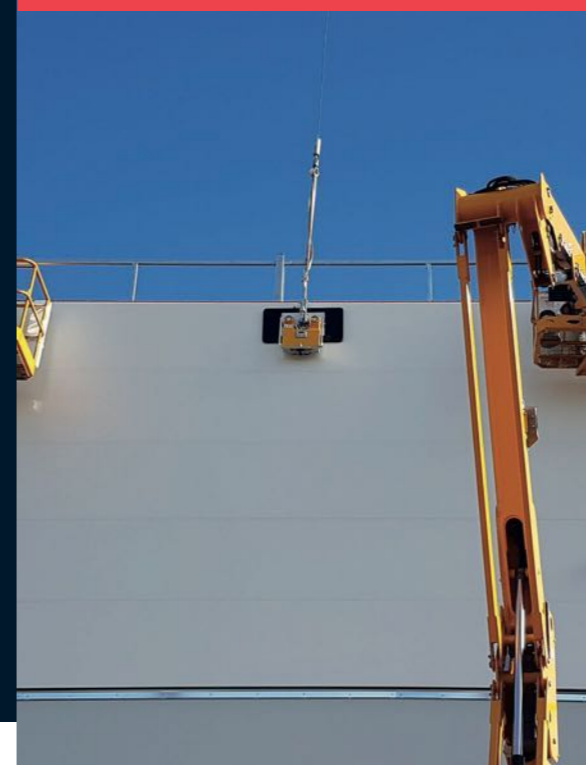
- Polyurethane
- Rock wool

With surfaces:

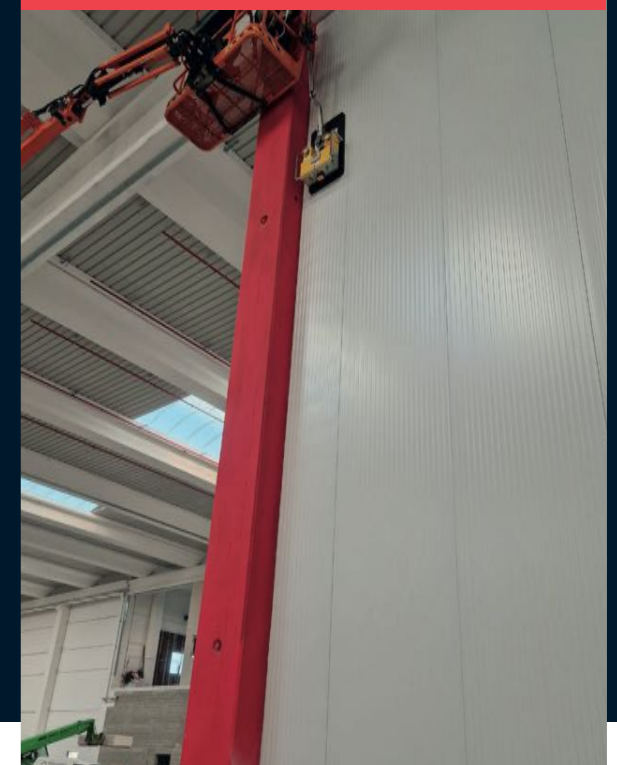
- Smooth
- Micro-ribbed



Horizontal panels



Vertical panels





Battery powered



90° manual rotation



Vertical movement



Manual tilt



Dual vacuum circuit

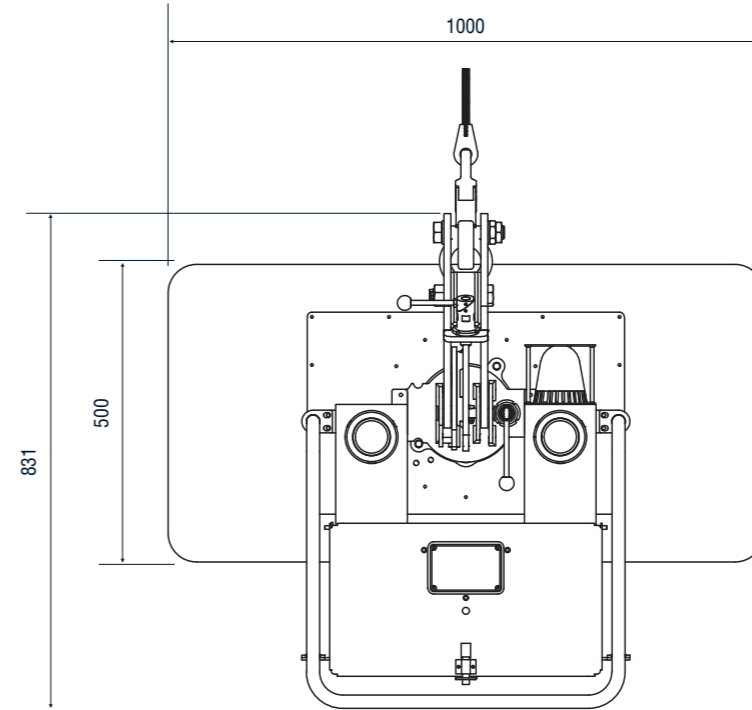
CLW Series

Technical specifications

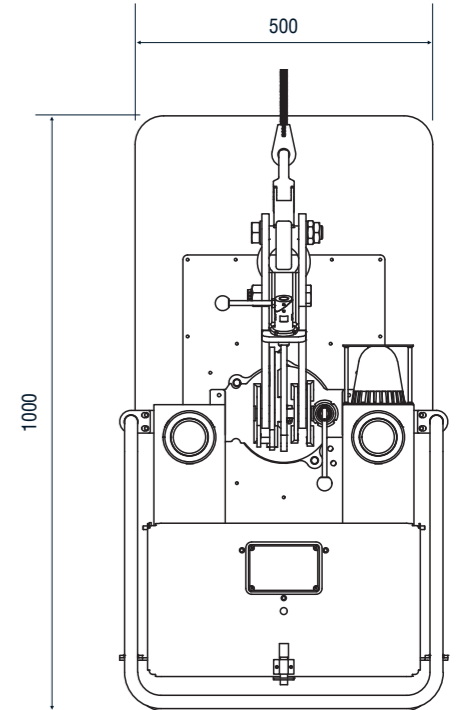
| | |
|-------------------------|--|
| Capacity | Max 375 kg |
| Suction pads | 1 suction pad mm 1000x500 Divided in 4 areas for dual vacuum circuit |
| Load movement | Tilting system 90° 90° rotation |
| Operating system | DC vacuum pump powered by on-board batteries High capacity re-chargeable batteries with battery level indicator Economizer for reduction of energy consumption |
| Vacuum system | 2 independent vacuum circuits; each vacuum circuit is equipped with vacuum reserve and non-return valve as per EN13155 standard |



Configurations for installing horizontal and vertical wall panels



Horizontal



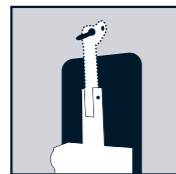
Vertical

Not only a vacuum lifter, but a complete solution.

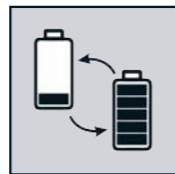
Accessories included



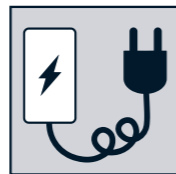
Accessories suitcase for safely carrying spare batteries kit and battery charger



Removable suspension for considerably reducing the height below the hook



Spare battery kit to easily replace the low ones without interrupting your job



External charger to always have the spare batteries kit in charge

Optional extra



Remote control for wireless load aspiration and release



Transportation trolley with compact size and wheels



Additional alarm to increase safety on construction site

Scan the QR code to see CLW in action



Why choosing the CLW series?

Compact but efficient

The CLW lifter is specific for installing coating panels; thanks to its compactness, it is easy to handle and transport.

Lowered secondary lifting eye

The configuration with lowered below-the-hook height allows you to work even close to ceilings and obstacles that would make the installation difficult.

Tilting and rotation system

The CLW's structure allows for horizontal/vertical tilting and 90° rotation of the panel.

Interchangeable batteries

Thanks to the double battery kits and the outer battery charger, you'll always have a pair of charged batteries for uninterrupted operation

Optional remote control

Since it is made ad hoc for coating panel installation, CLW unleashes all of its potential when accessorized with a radio remote control.





Battery powered



Horizontal movement



Hydraulic 180° tilt

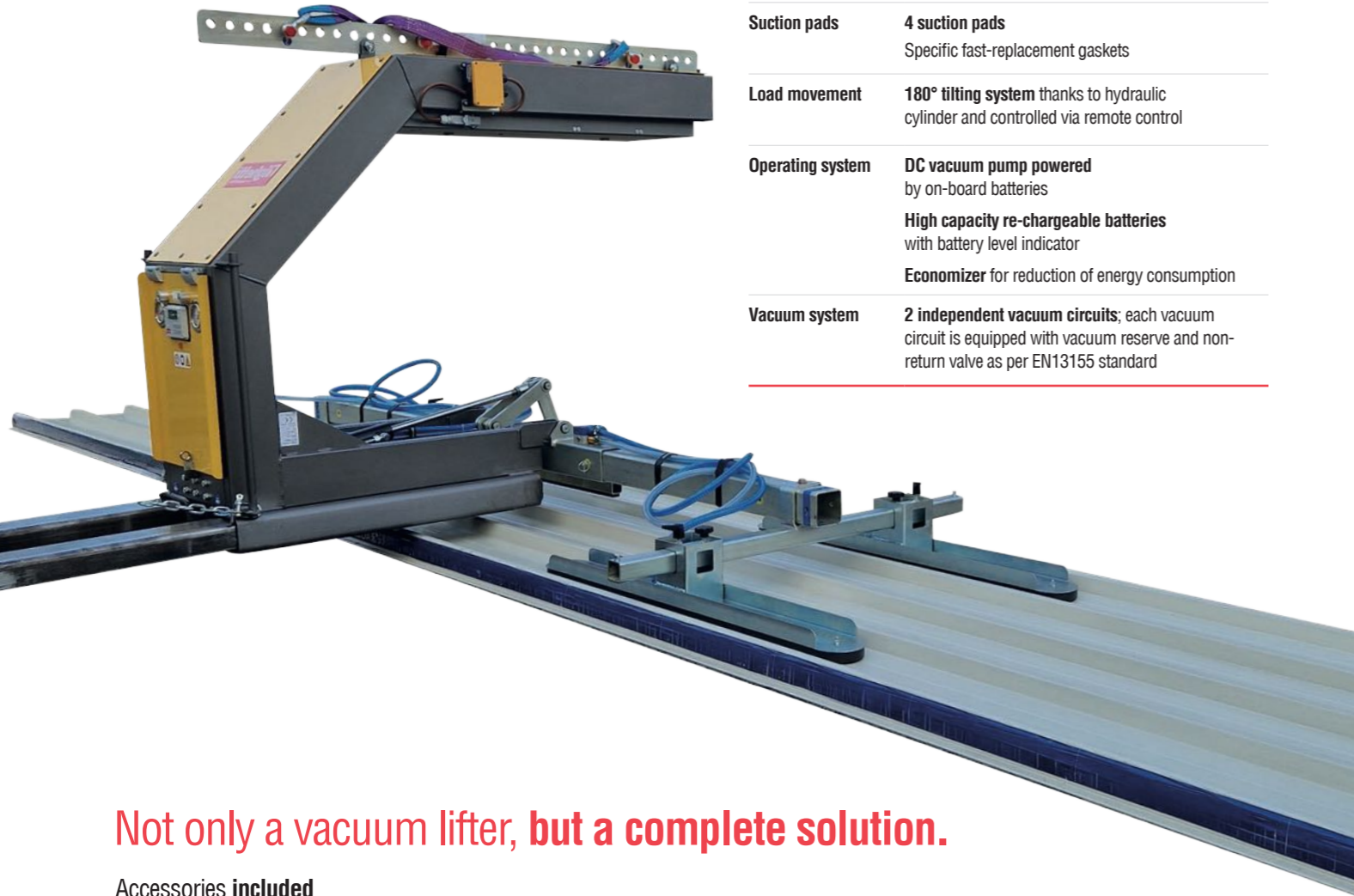


Dual vacuum circuit

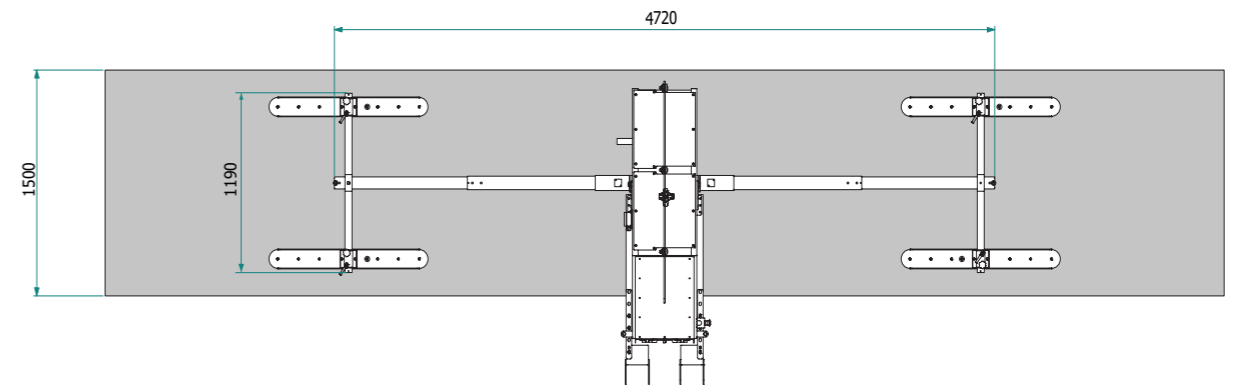
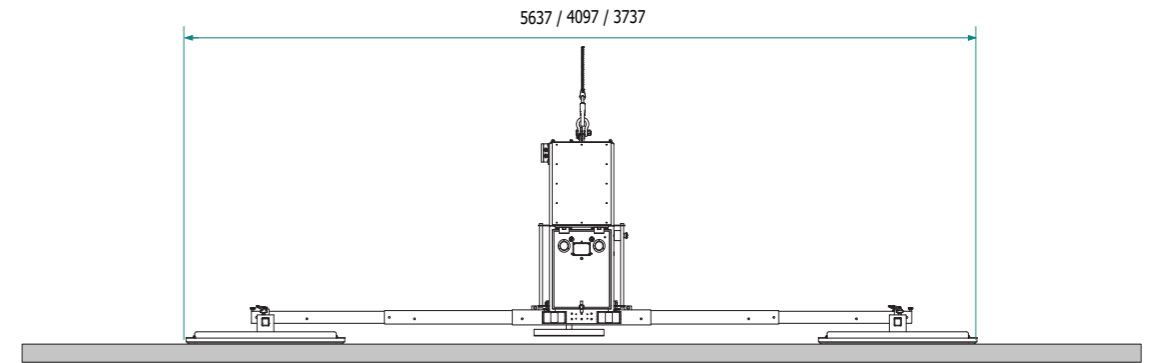
ROTO 180 Series

Technical specifications

| | |
|-------------------------|--|
| Capacity | Max 360 kg |
| Suction pads | 4 suction pads Specific fast-replacement gaskets |
| Load movement | 180° tilting system thanks to hydraulic cylinder and controlled via remote control |
| Operating system | DC vacuum pump powered by on-board batteries High capacity re-chargeable batteries with battery level indicator Economizer for reduction of energy consumption |
| Vacuum system | 2 independent vacuum circuits; each vacuum circuit is equipped with vacuum reserve and non-return valve as per EN13155 standard |

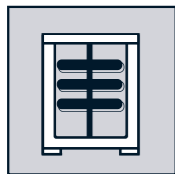


Technical drawings

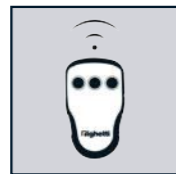


Not only a vacuum lifter, but a complete solution.

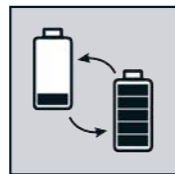
Accessories included



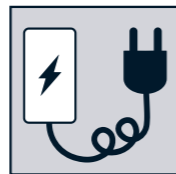
Forkable parking stand for easy storage and transport with protective cover included



Remote control for wireless load aspiration and release



Spare battery kit to easily replace the low ones without interrupting your job

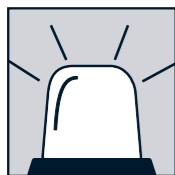


External charger to always have the spare batteries kit in charge

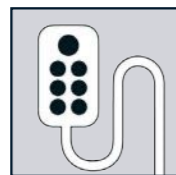


Forkable frame to use it also on means equipped with forks

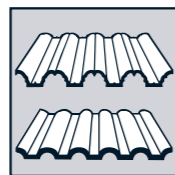
Optional extra



Additional alarm to increase safety on construction site



Pushbutton as alternative wired special panels



Special pads for lifting special panels (i.e. in roofing-tile effect)



Scan the QR code to see ROTO180 in action

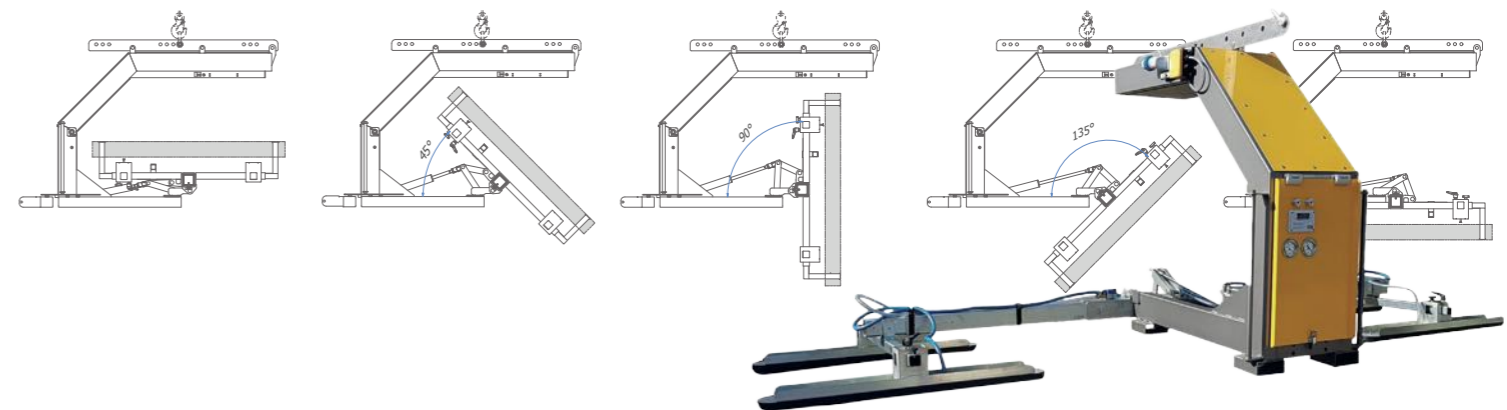
Specifically designed for stacked panels

In case of insulated panels stacked one on top of the other, ROTO 180 allows you to turn panels upside down with 180° hydraulic rotation.

Besides flipping over the roof sandwich panels, you can also use ROTO 180 to install them.



180° rotation





Battery powered



Horizontal movement

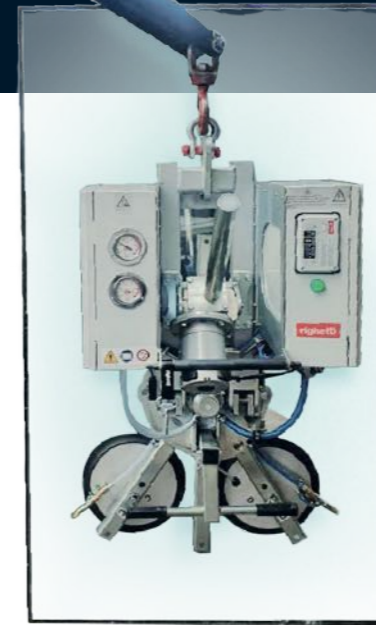
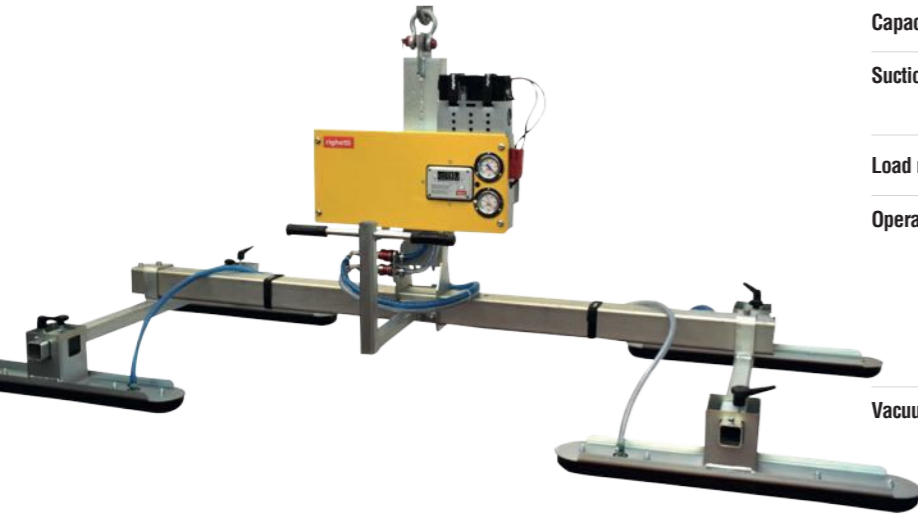


Dual vacuum circuit

CLF Series

Technical specifications

| | |
|------------------|--|
| Applications | Roof panels installation |
| Capacity | Max 350 kg |
| Suction pads | N.4 suction pads specific for roofing panels |
| Load movement | Horizontal lifting |
| Operating system | DC vacuum pump powered by on-board batteries High capacity re-chargeable batteries with battery level indicator Economizer for reduction of energy consumption |
| Vacuum system | 2 independent vacuum circuits; each vacuum circuit equipped with vacuum reserve and non-return valves per EN13155 standard |



Hybrid models

Modularity for all needs

What sets Righetti vacuum lifters apart is the real possibility to create any vacuum lifter, with the goal of satisfying all customer needs.

We know that in certain situations it can be necessary to lift not just panels, but various different materials. That's why we have created some models that we define **hybrid**, precisely because you can use them both for installation of panels and glass sheets.

Technical specifications

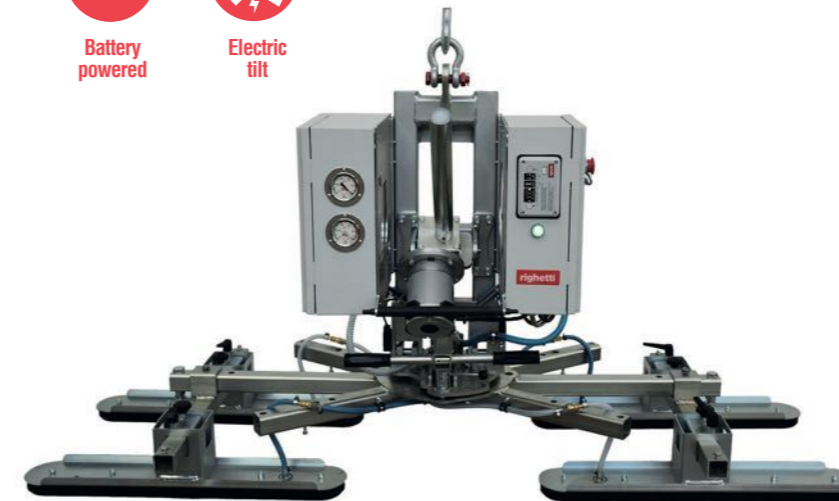
| | |
|------------------|--|
| Applications | Sandwich panels installation up to 6 mt Glass panes handling |
| Capacity | For panels installation max 400 kg For glass installation up to 1500 kg |
| Load movement | Electric tilt 90° Electric rotation 360° |
| Operating system | On-board batteries |
| Vacuum system | Dual vacuum circuits as per EN13155 standard |



Battery powered



Electric tilt



Battery powered

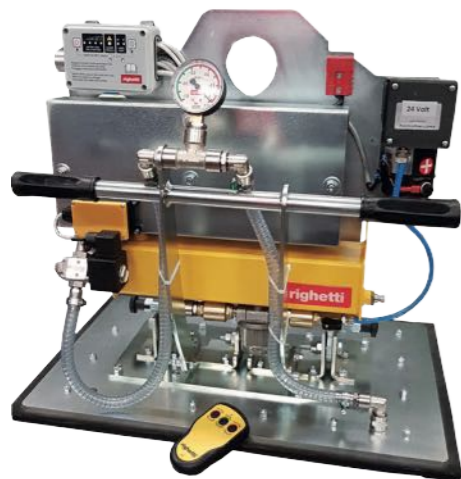


Manual tilt

CL-M1 Series

Technical specifications

| | |
|------------------|--|
| Applications | Wall panels installation |
| Capacity | From 250 kg to 750 kg |
| Suction pads | 1 rectangular suction pad whose size depends on capacity needed |
| Load movement | 90° manual tilting |
| Operating system | DC vacuum pump powered by on-board batteries High capacity re-chargeable batteries with battery level indicator Economizer for reduction of energy consumption |
| Vacuum system | Single vacuum circuit; equipped with vacuum tank and non-return valve. Dual vacuum circuit on request. |



Battery powered



Manual tilt



Technical specifications

| | |
|------------------|--|
| Applications | Sandwich panels installation up to 6 mt Glass panes handling |
| Capacity | For panels installation max 400 kg For glass installation up to 1200 kg |
| Load movement | Manual tilt 90° Manual rotation 360° |
| Operating system | On-board batteries |
| Vacuum system | Dual vacuum circuits as per EN13155 standard |

Extra services to support you on your daily job.



RIGHETTI SERVICE: Simple, fast and reliable assistance.

We give continual assistance even remotely: we help you over the phone and/or in video calls, so that your job doesn't ever stop. We stand by your side with rapid and precise assistance, provided directly by our qualified and resourceful team.

We'll also skillfully guide you in your selection of the accessories most suited to your needs to allow you to always work safely and be the most competitive in your field.

If what you urgently need is a spare part, we guarantee record response times.

We do all this for you:

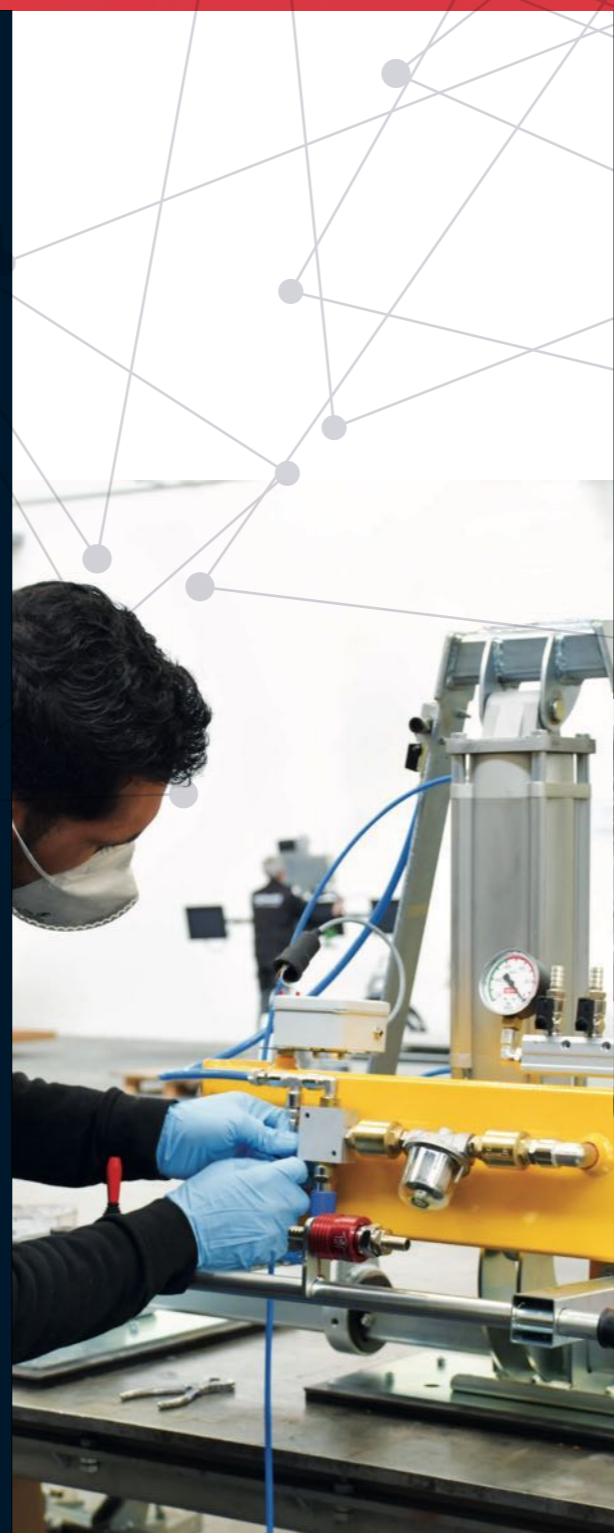
- over the phone assistance
- videoconference assistance
- direct contact with our team
- remote assistance for ordinary and extraordinary maintenance
- spare parts service

SPARE PARTS: well-stocked warehouse for quick shipments

Should you ever need a replacement for your vacuum lifter, just contact us either via email or phone and let us know what you need, specifying the serial number of the vacuum lifter.

Even after several years from your purchase, we can still provide you with the original spare parts to have your lifter working over time.

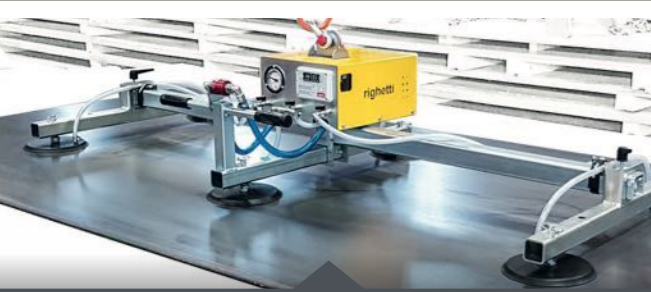
Thanks to our well-stocked warehouse, we can ship out the replacements you need in a timely manner.



It's a Righetti



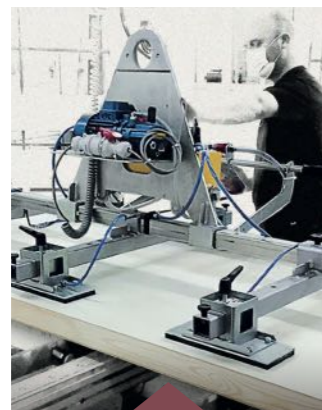
CLADDING



SHEET METAL



STONE



WOOD



GLASS



SPECIAL



CERAMIC

The only vacuum lifters
specialists for every application.
Especially yours.

Righetti
smart vacuum lifters



ITS

Righetti
smart vacuum lifters



SILCOM NORTH

www.silcomnorth.com hello@silcomnorth.com

Phone/Whatsapp +370 672216691 Goštauto 8, Vilnius 01108, Lithuania