

righetti
smart vacuum lifters

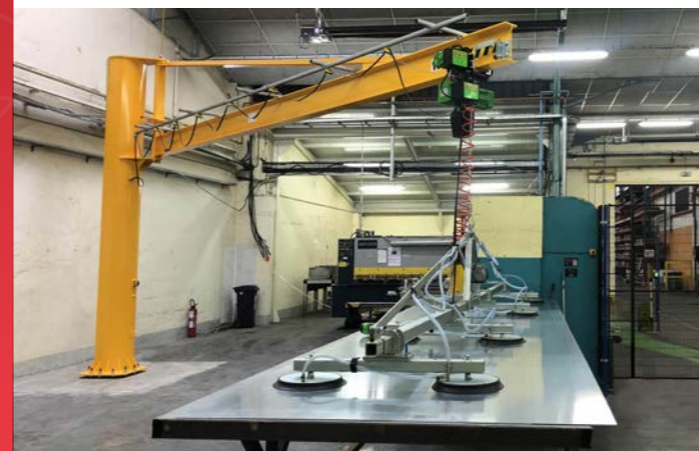


Ad hoc vacuum lifters for
**sheet metal, stainless
steel, aluminum, and
non-iron material**

Vacuum
lifters
SPECIALISTS

**People Behind Vacuum
Lifting Technology Excellence**

Italian craftsmanship
and smart technology:
your vacuum lifter
for every application



Specialists in Vacuum Lifters

For over 20 years we've been working combining typical Italian handicraft creativity with the a technological and industrial advancement. The perfect mix of these two views has led to the conception and design of a broad range of products that we can introduce you to, both from the catalog and custom .

We like solutions that work, that get there by the requested deadlines, and that come with rapid, competent service catered to the customer.

We love getting anywhere with our lifters, even on a global scale. The experience we've gathered on the field helps us give you accurate answers, no matter where you are.

The geographic area isn't a limit anymore, but a way to make new long-lasting relationships. Because buying a Righetti means finding a reliable and efficient ally for optimizing your productivity.

From hands experienced in working the metal, from a precise and industrial organisation: this is where your vacuum lifter takes shape.



**Design
and production**



**More than
500 models**



**3500 m²
warehouse**



**International
shipments**

Why vacuum lifters?

For some time now, vacuum lifters have been a very valuable aid in handling and lifting marble slabs, granite and other stones.



Why choosing a Righetti?

Avant-garde technology, user-friendliness, comfortable to use, safety. **All in one machine.**

What are the pros?

Righetti has designed vacuum lifters capable of automating the work, reducing the time of production.

- Make work easier, safer and more rapid
- Reduce handling times and costs of the staff
- Immediate suction of the load
- Wide choice of models and possibilities of customization

How does it work?

- 1 Suction pads:** specific for marble, granite and stones
- 2 Safety devices:** constant monitoring vacuum level, visual and acoustic warning systems
- 3 Power supply:** electric, battery or compressed air
- 4 Vacuum circuit:** tested reliability and safety

Righetti Service: your assistance

We support you via phone and video not to leave stop your work. We are by your side with fast and precise assistance directly from those who built your vacuum lifter, for never stop your production.

Fast production

Artisan heart and industrial production: the perfect union to get you the vacuum lifters you choose in the shortest time possible.

Safety above all else

Both the worker and the load are always taken as the focal points during the design and construction of the lifters. Reliability is guaranteed.

Worldwide shipment

Our vacuum lifters reach everywhere, even to you. Experience and relationships with customers throughout the world allow us to ship anywhere in established times.

Righetti
smart vacuum lifters



Specialists in vacuum lifters not just talk, but real advantages for your job



1 Absolute focus on safety

The load and operator are always protected with Righetti systems

Our lifters come complete with a series of systems for monitoring the vacuum to guarantee lifting the load completely safely. The dual acoustic and visual alarm warns the operator if there isn't enough vacuum to lift the load safely. The ample vacuum reserve on the lifter guarantees a hold on the load even if there is a malfunction or the power gets cut off.

2 Suitable to any size load

The modular configurations let you exploit the lifters on any size

The Research and Development division designed the lifters contemplating the more common needs of handling sheet metal. Our lifters have suction pads that can move across the arms, simple and effective systems that cut off the pads, and arms that can change position in just a few steps to expand or reduce the dimensions and adapt to different sizes.

And if the sheet dimensions don't differ too much, we have a series of telescopic lifters. With just one machine you will be more versatile on the job.

3 Lifters with sturdy structures for professional use

Compact but robust structures to last over time, reinforced with tie-rods for more support

Righetti lifters have a structure that is sturdy, yet compact and streamlined at the same time. Solid structures and supporting tie-rods guarantee the stability of the load and the lifter itself, even with large capacities and sizes.

4 Grabbing speed and instant suction

The lifters' grabbing speed will get the job done faster

Lifters are also for getting the job done faster and lowering costs due to handling loads. With the improvements Righetti made, you'll get a line of parts that—together with the larger vacuum tank—make grabbing the load faster. The ad hoc suction pads guarantee an optimal hold of the vacuum, and fast adhesion to the load.

5 Oiled, non-planar sheet metal? No problem

The Righetti lifter system is conceived to make up for this

Through technology, Righetti created a system of springy, bendable lifters that even adapt to loads that aren't perfectly flat, making up for the natural non-planarity of the load. The suction pads are specifically designed to lift metal sheets, often oiled.

For special needs for sheet metal with more oil, for high-temperature sheet metal or checkered plate, we have ad hoc lifters.

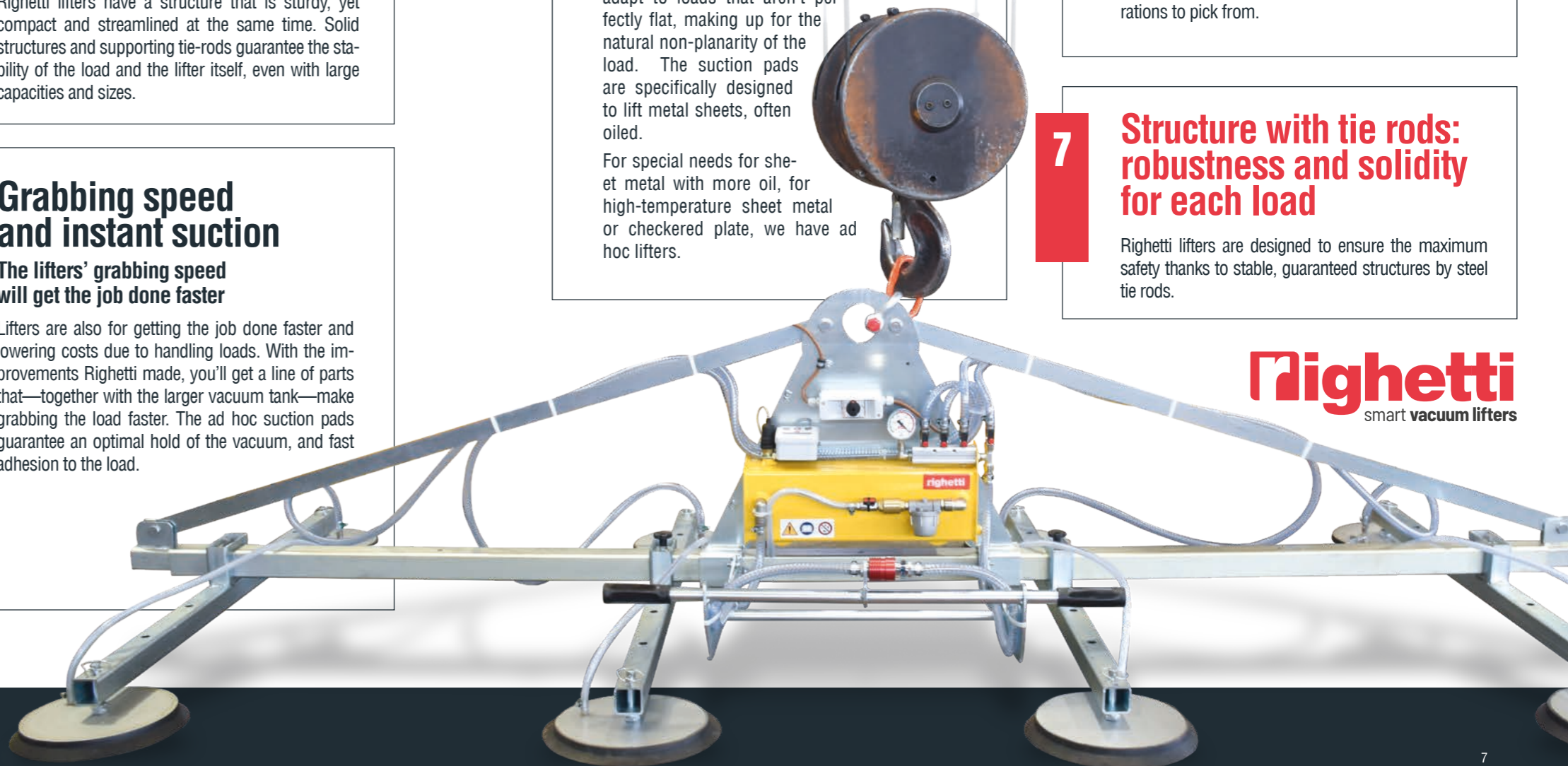
6 A solution for all your needs

We have a vast array of ad hoc vacuum lifters for lifting and handling steel, stainless steel, aluminum, bronze, or other non-iron metal sheets.

Electrically or air-operated models, or self-powered solutions with batteries, available with many configurations to pick from.

7 Structure with tie rods: robustness and solidity for each load

Righetti lifters are designed to ensure the maximum safety thanks to stable, guaranteed structures by steel tie rods.



Righetti
smart vacuum lifters

Table of contents

10 Electrically operated

FS4EB	12
FS6EB	13
FS8EB	14
F4EB	15
F6EB	16
FTS6EB	17
F8EB	18
FT10EB	19
F10EB	20
F14EB	21
F18EB	22
F20EB	23
F28EB	24

26 Compressed air operated

FS4A	28
FS6A	29
FS8A	30
F4A	31
F6A	32
FTS6A	33
F8A	34
FT10A	35
F10A	36
F14A	37

38 Battery operated

FS4B	40
FS6B	41
FS8B	42
F4B	43
F6B	44
FTS6B	45
F8B	46
FT10B	47
F10B	48
F14B	49
Cantilever	50

52 Tilting mechanism

M4 400	54
M6 600	55
M6 750	56
M8 1000	57

58 Special

FR6	60
FR8	61
Beams and tubes	62
Curved sheet	62
Tanks	62
Coils	62

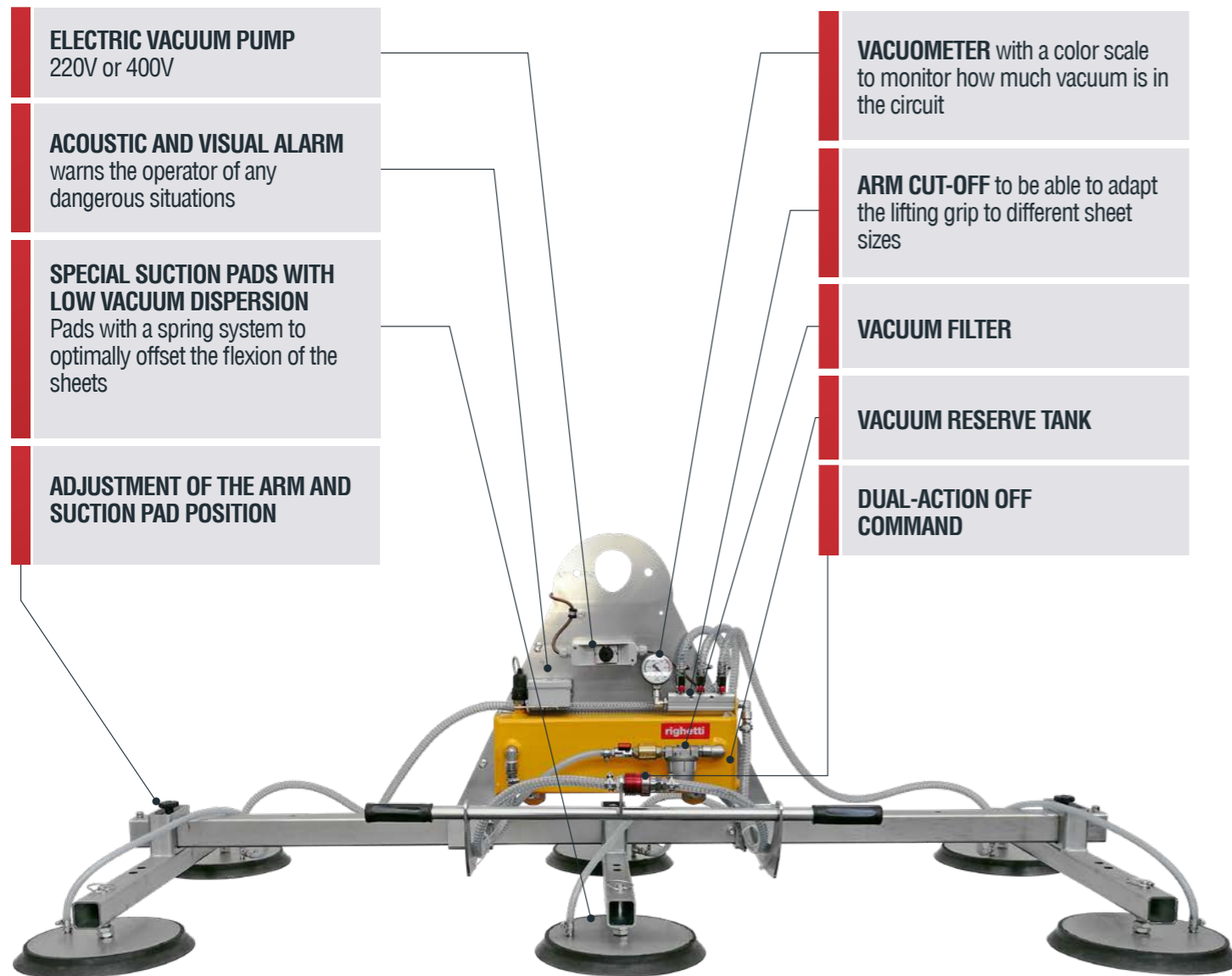
64 Accessories and Optional

65 Technical information

Electrically powered vacuum lifters are the ideal solution for bridge cranes or other lifting means where it is more convenient to reach the electric power supply.

Electrically powered vacuum lifters have an on-board vacuum pump. Its voltage can either be single phase 220V or three-phase 400V, but other voltages are available on request. If not specified, the vacuum lifter will be manufacture with 400V voltage.

Each series will be available with different lengths of the beam.



Vacuum lifter for sheet metal

electrically operated



Electrically powered



Horizontal movement

Righetti
smart vacuum lifters

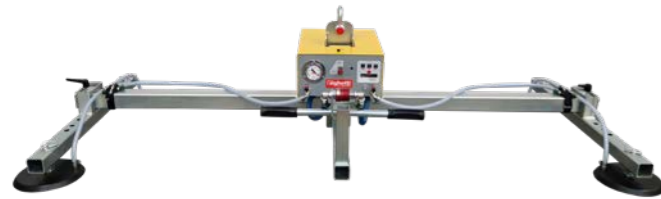
FS4EB

Power supply
electric

n° of pads
4



Horizontal
movement



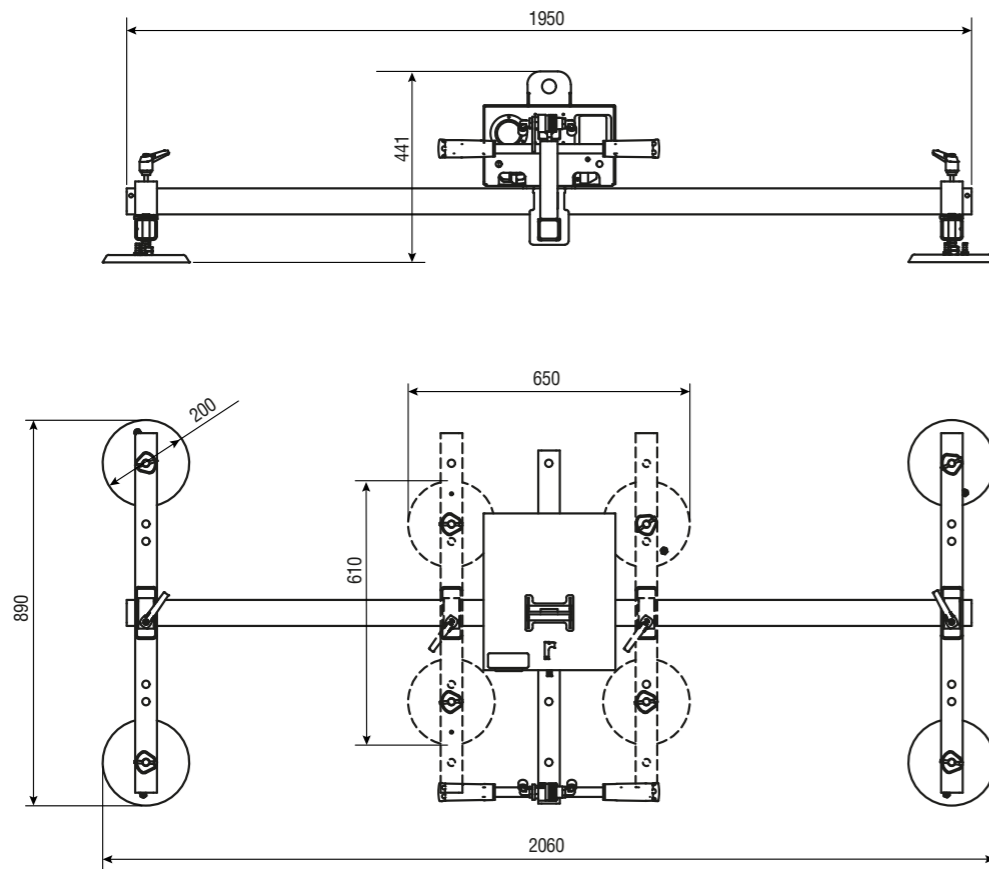
Vacuum lifter with lowered structure to reduce the high below the hook.
Steel frame structure fixed in horizontal position.
Cross arms are freely adjustable on the central beam.

Series FS4EB 250

Kg max 250

Pads		Lifting capacity	L	Arms		X (mm)		Y (mm)		Product code
nr.	Ø	kg	mm	nr.	mm	min	max	min	max	
4	200	250	1950	2	830	650	2060	610	890	FS4EB 250

Technical drawing



FS6EB

Power supply
electric

n° of pads
6



Horizontal
movement



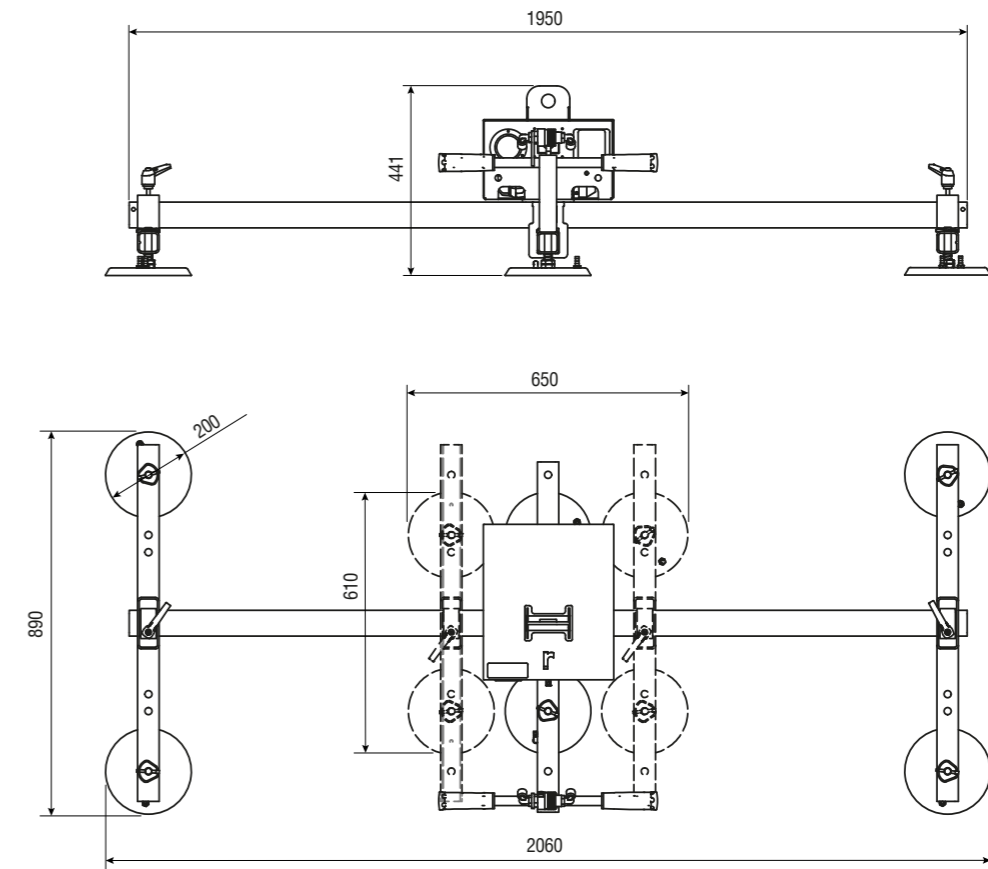
Vacuum lifter with lowered structure to reduce the high below the hook.
Steel frame structure fixed in horizontal position.
Cross arms are freely adjustable on the central beam.

Series FS6EB 500

Kg max 500

Pads		Lifting capacity	L	Arms		X (mm)		Y (mm)		Product code
nr.	Ø	kg	mm	nr.	mm	min	max	min	max	
6	200	500	1950	3	830	650	2060	610	890	FS6EB 500

Technical drawing



FS8EB

Power supply
electric

n° of pads
8



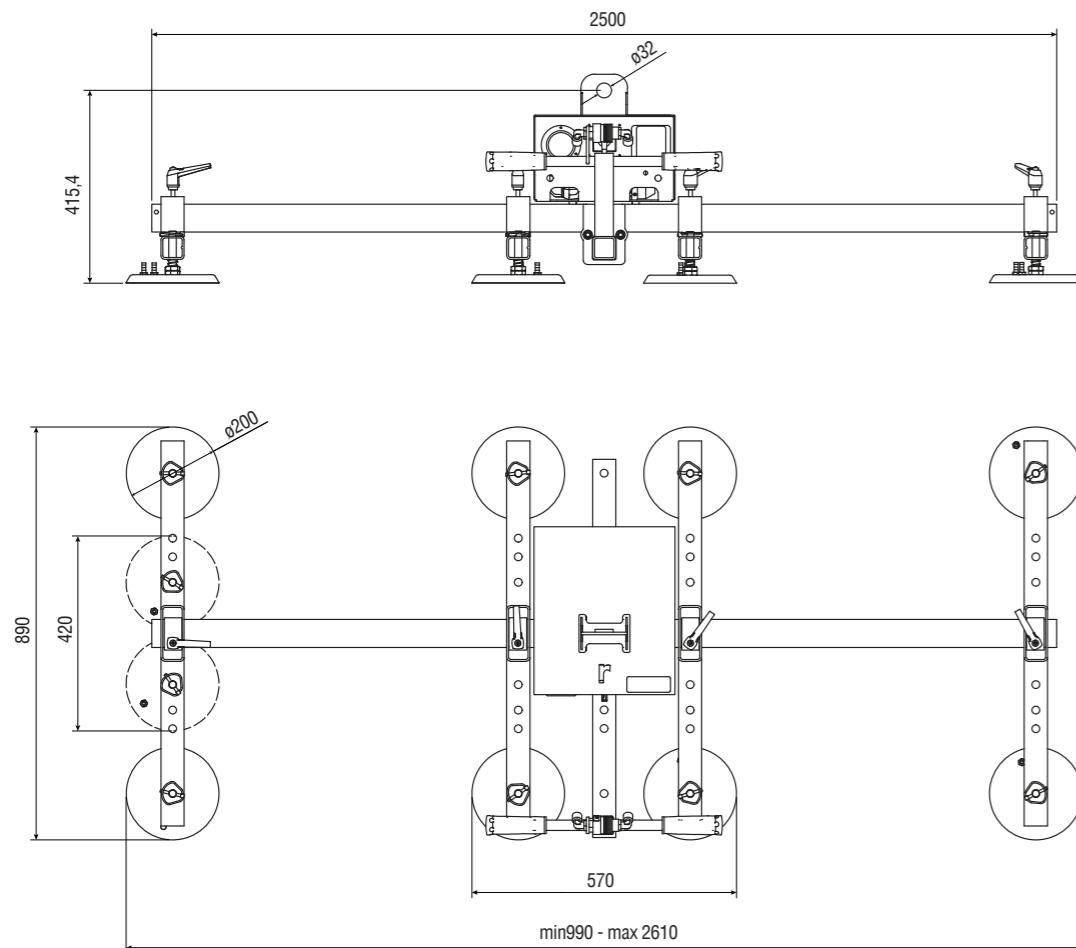
Vacuum lifter with lowered frame to reduce the below-the-hook-height. The frame is horizontally fixed and it's equipped with 8 suction pads. The suction pads are grouped by two on the four repositionable arms.

Series FS8EB 600

Kg max 600

Pads		Lifting capacity	L	Arms		X (mm)		Y (mm)		Product code
nr.	Ø	kg	mm	nr.	mm	min	max	min	max	
8	200	600	2500	4	830	990	2610	420	890	FS8EB 600

Technical drawing



F4EB

Power supply
electric

n° of pads
4



Vacuum lifter with steel frame structure fixed in horizontal position. This lifter has a central beam at your choosing length (standard versions from 1500 to 3000 mm), two adjustable cross arms and four vacuum pads.

Series F4EB 600

Kg max 600

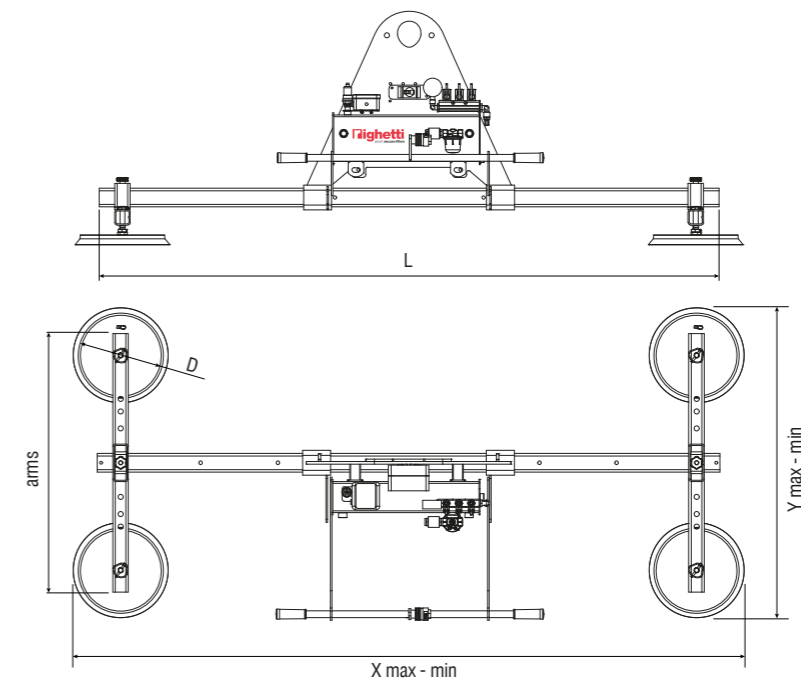
Pads		Lifting capacity	L	Arms		X (mm)		Y (mm)		Product code
nr.	Ø	kg	mm	nr.	mm	min	max	min	max	
4	310	600	1500	2	830	1145	1655	635	1000	F4EB600/3-1500/750
			2000	2	830	1145	2155	635	1000	F4EB600/3-2000/750
					1330	1145	2155	635	1500	F4EB600/3-2000/1270
			3000	2	830	1145	3155	635	1000	F4EB600/3-3000/750
1330	1145	3155			635	1500	F4EB600/3-3000/1270			

Series F4EB 1000

Kg max 1000

Pads		Lifting capacity	L	Arms		X (mm)		Y (mm)		Product code
nr.	Ø	kg	mm	nr.	mm	min	max	min	max	
4	390	1000	1500	2	830	1225	1735	800	1080	F4EB1000/4-1500/750
			2000	2	830	1225	2235	800	1080	F4EB1000/4-2000/750
					1330	1225	2235	800	1580	F4EB1000/4-2000/1270
			3000	2	830	1225	3235	800	1080	F4EB1000/4-3000/750
1330	1225	3235			800	1580	F4EB1000/4-3000/1270			

Technical drawing



F6EB

Power supply
electric

n° of pads
6



Horizontal
movement



Vacuum lifter with steel frame structure fixed in horizontal position.
This lifter has a central beam at your choosing length (standard versions from 1500 to 3000 mm), three adjustable cross arms and six vacuum pads.

Series F6EB 1000

Kg max 1000

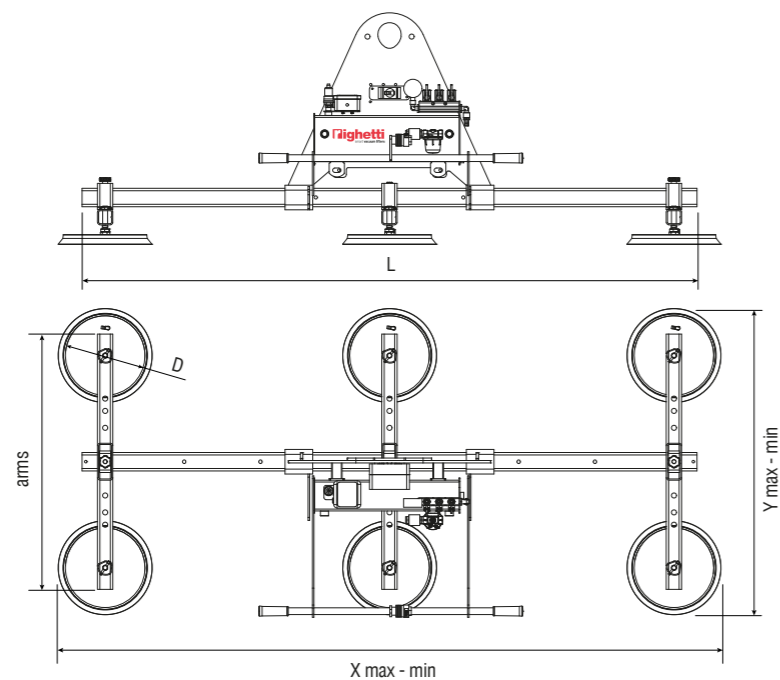
Pads		Lifting capacity	L	Arms		X (mm)		Y (mm)		Product code
nr.	Ø			kg	mm	nr.	mm	min	max	
6	310	1000	1500	3	830	1145	1655	635	1000	F6EB1000/3-1500/750
			2000	3	830	1145	2155	635	1000	F6EB1000/3-2000/750
					1330	1145	2155	635	1500	F6EB1000/3-2000/1270
			3000	3	830	1145	3065	635	1000	F6EB1000/3-3000/750
					1330	1495	3065	635	1500	F6EB1000/3-3000/1270

Series F6EB 1800

Kg max 1800

Pads		Lifting capacity	L	Arms		X (mm)		Y (mm)		Product code
nr.	Ø			kg	mm	nr.	mm	min	max	
6	390	1800	1500	3	830	1230	1740	800	1080	F6EB1800/4-1500/750
			2000	3	830	1230	2240	800	1080	F6EB1800/4-2000/750
					1330	1230	2240	800	1580	F6EB1800/4-2000/1270
			3000	3	830	1230	3150	800	1080	F6EB1800/4-3000/750
					1330	1230	3150	800	1580	F6EB1800/4-3000/1270

Technical drawing



ighetti
smart vacuum lifters

FTS6EB

Power supply
electric

n° of pads
6



Horizontal
movement



Telescopic



Vacuum lifter with telescopic frame, which is ideal for various formats of sheet metal up to 4000x2000mm.
Its lowered frame reduces the below-the-hook height. The handlebar is extendable to guarantee a higher safety of the worker during the sheet handling.

Series FTS6EB 1000

Kg max 1000

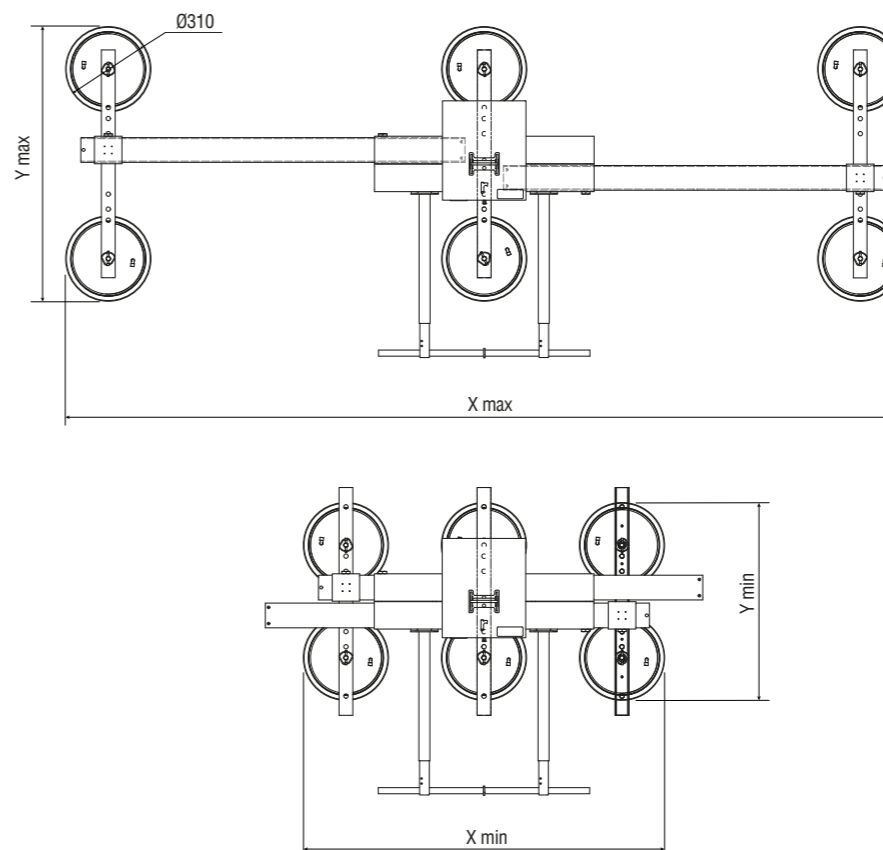
Pads		Lifting capacity	Arms		X (mm)		Y (mm)		Product code
nr.	Ø		kg	nr.	mm	min	max	min	
6	310	1000	3	830	1366	3120	706	985	FTS6EB1000

Series FTS6EB 1800

Kg max 1800

Pads		Lifting capacity	Arms		X (mm)		Y (mm)		Product code
nr.	Ø		kg	nr.	mm	min	max	min	
6	390	1800	3	830	1446	3200	791	1065	FTS6EB1800

Technical drawing



Telescopic handlebar



ighetti
smart vacuum lifters

F8EB

Power supply
electric

n° of pads
8



Horizontal
movement



Vacuum lifter with steel frame structure fixed in horizontal position. This lifter has a central beam at your choosing length (standard versions 2500 or 4000 mm), four adjustable cross arms and eight vacuum pads.

Series F8EB 700

Kg max 700

Pads		Lifting capacity kg	L mm	Arms		X (mm)			Y (mm)		Product code
nr.	∅			nr.	mm	X1	min	max	min	max	
8	200	700	2500	4	830	1035	2005	2455	420	890	F8EB700/2-2500/750
			3000	4	830	1035	2005	2955	420	890	F8EB700/2-3000/750
			3500	4	830	1035	2005	3455	420	890	F8EB700/2-3500/750

Series F8EB 1500

Kg max 1500

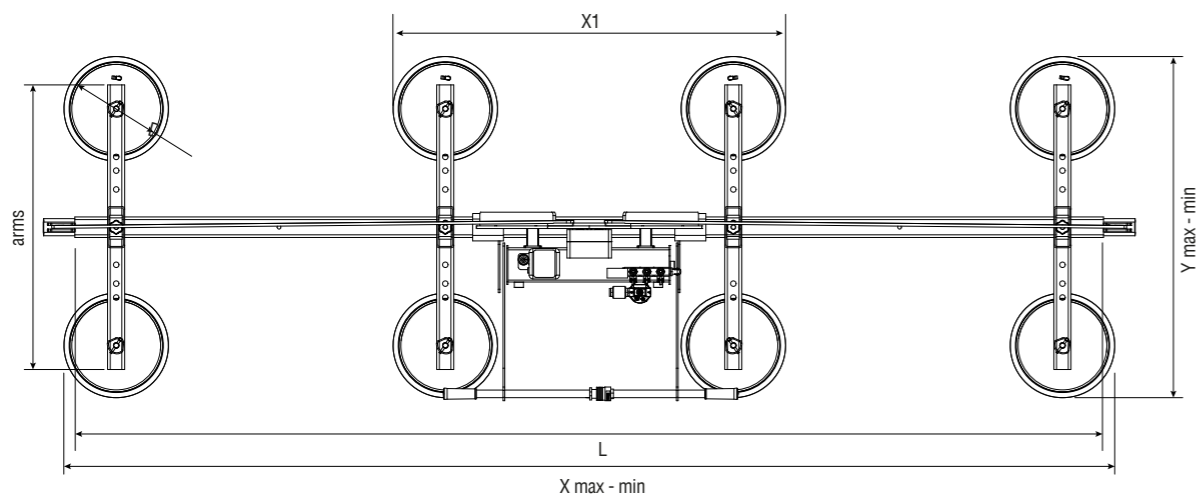
Pads		Lifting capacity kg	L mm	Arms		X (mm)			Y (mm)		Product code
nr.	∅			nr.	mm	X1	min	max	min	max	
8	310	1500	3000	4	830	1145	2115	3065	635	1005	F8EB1500/3-3000/750
					1330	1145	2115	3065	635	1495	F8EB1500/3-3000/1270
					1330	1145	2115	4065	635	1495	F8EB1500/3-4000/1270

Series F8EB 2400

Kg max 2400

Pads		Lifting capacity kg	L mm	Arms		X (mm)			Y (mm)		Product code
nr.	∅			nr.	mm	X1	min	max	min	max	
8	390	2400	3000	4	830	1230	2200	3150	800	1080	F8EB2400/4-3000/750
					1330	1230	2200	3150	800	1580	F8EB2400/4-3000/1270
					1330	1230	2200	4150	800	1580	F8EB2400/4-4000/1270

Technical drawing



FT10EB

Power supply
electric

n° of pads
10



Horizontal
movement



Telescopic



Vacuum lifter with telescopic frame with length adjustment, perfect for sheet metal of variable dimensions, up to 6000 mm. The ten vacuum pads are placed on 5 cross-arms.

Series FT10EB 800

Kg max 800

Pads		Lifting capacity kg	Arms		X1 (mm)		X (mm)		Y (mm)		Product code
nr.	∅		Nr.	mm	min	max	min	max	min	max	
10	200	800	5	1330	1015	2215	2655	4900	530	1390	FT10EB 800

Series FT10EB 2000

Kg max 2000

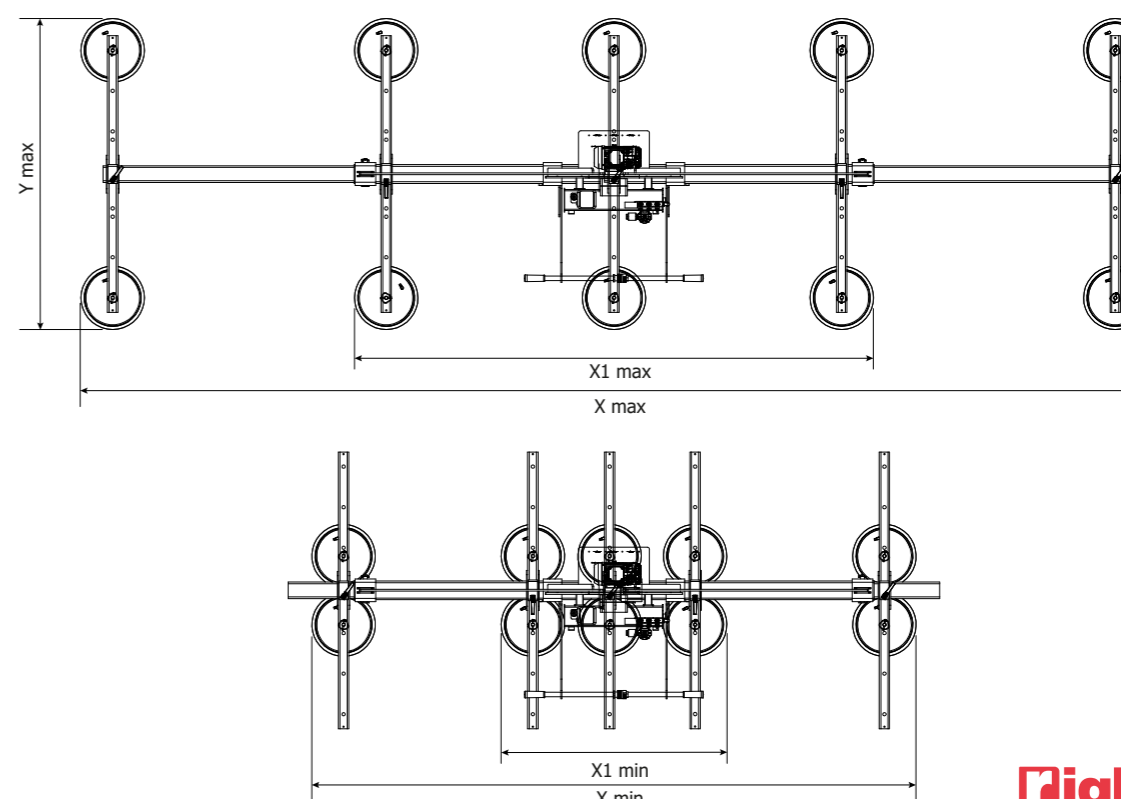
Pads		Lifting capacity kg	Arms		X1 (mm)		X (mm)		Y (mm)		Product code
nr.	∅		nr.	mm	min	max	min	max	min	max	
10	310	2000	5	1330	1125	2325	2765	5010	640	1500	FT10EB 2000

Series FT10EB 3000

Kg max 3000

Pads		Lifting capacity kg	Arms		X1 (mm)		X (mm)		Y (mm)		Product code
nr.	∅		nr.	mm	min	max	min	max	min	max	
10	390	3000	5	1330	1205	2405	2845	5090	800	1580	FT10EB3000

Technical drawing



F10EB

Power supply
electric

n° of pads
10



Horizontal
movement



Vacuum lifter with steel frame structure fixed in horizontal position. This lifter has a central beam at your choosing length (standard versions from 3000 to 5000 mm), five adjustable cross-arms and ten vacuum pads.

Series F10EB 2000

Kg max 2000

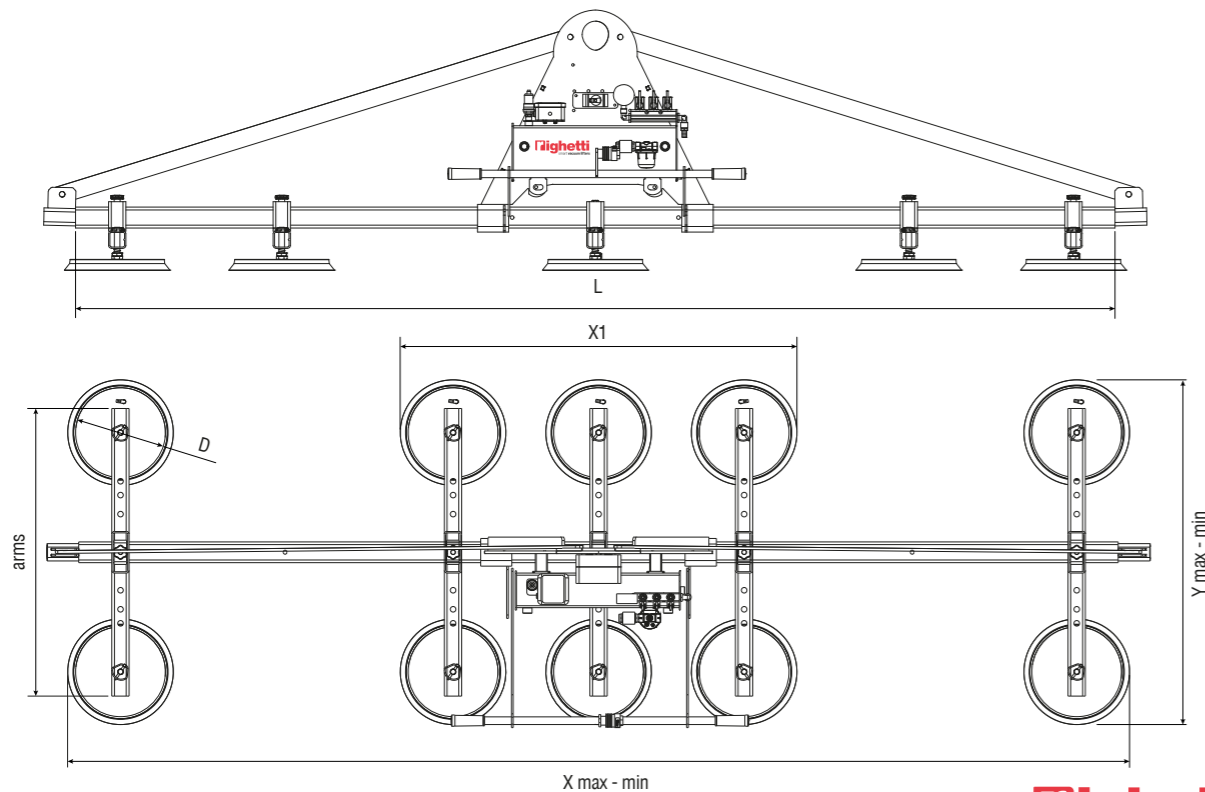
Pads		Lifting capacity	L	Arms		X (mm)			Y (mm)		Product code
nr.	Ø			nr.	mm	X1	min	max	min	max	
10	310	2000	3000	5	830	1145	2155	3065	640	1000	F10EB2000/3-3000/750
				5	1330	1145	2155	3065	640	1500	F10EB2000/3-3000/1270
				5	1330	1145	2155	4065	640	1500	F10EB2000/3-4000/1270
				5	1330	1145	2155	5065	640	1500	F10EB2000/3-5000/1270

Series F10EB 3000

Kg max 3000

Pads		Lifting capacity	L	Arms		X (mm)			Y (mm)		Product code
nr.	Ø			nr.	mm	X1	min	max	min	max	
10	390	3000	3000	5	1330	1230	2195	3150	800	1580	F10EB3000/4-3000/1270
			4000	5	1330	1230	2195	4150	800	1580	F10EB3000/4-4000/1270
			5000	5	1330	1230	2195	5150	800	1580	F10EB3000/4-5000/1270

Technical drawing



Righetti
smart vacuum lifters

F14EB

Power supply
electric

n° of pads
14



Horizontal
movement



Vacuum lifter with steel frame structure fixed in horizontal position. This lifter has a central beam at your choosing length (standard versions from 4000 to 6000 mm), seven adjustable cross-arms and fourteen vacuum pads.

Series F14EB 2800

Kg max 2800

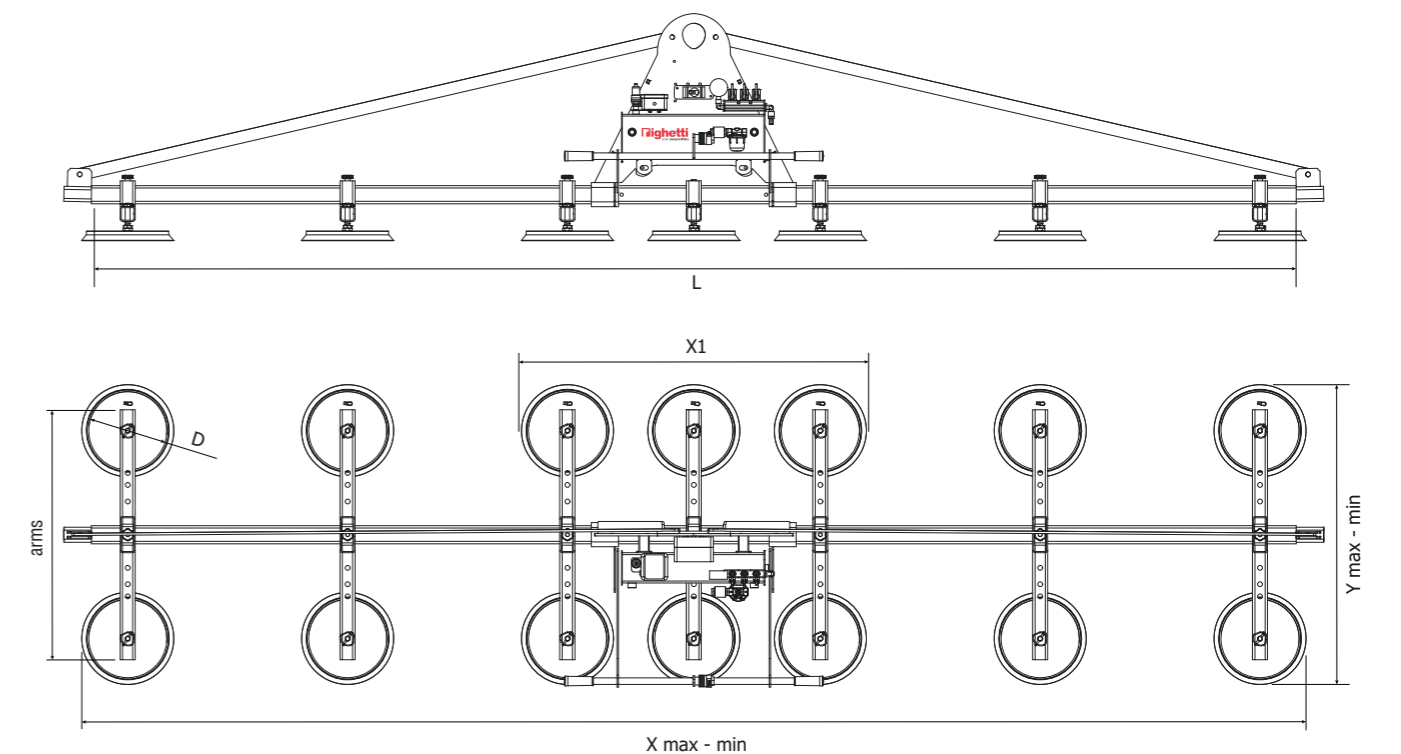
Pads		Lifting capacity	L	Arms		X (mm)			Y (mm)		Product code
nr.	Ø			nr.	mm	X1	min	max	min	max	
14	310	2800	4000	7	830	1145	3105	4065	635	1000	F14EB2800/3-4000/750
				7	1330	1145	3105	4065	635	1500	F14EB2800/3-4000/1270

Series F14EB 4200

Kg max 4200

Pads		Lifting capacity	L	Arms		X (mm)			Y (mm)		Product code
nr.	Ø			nr.	mm	X1	min	max	min	max	
14	310	2800	4000	7	1330	1299	3139	4145	800	1580	F14EB4200/4-4000/1270
			5000	7	1330	1299	3139	5145	800	1580	F14EB4200/4-5000/1270
			6000	7	1330	1299	3139	6145	800	1580	F14EB4200/4-6000/1270

Technical drawing



Righetti
smart vacuum lifters

F18EB

Power supply
electric

n° of pads
18



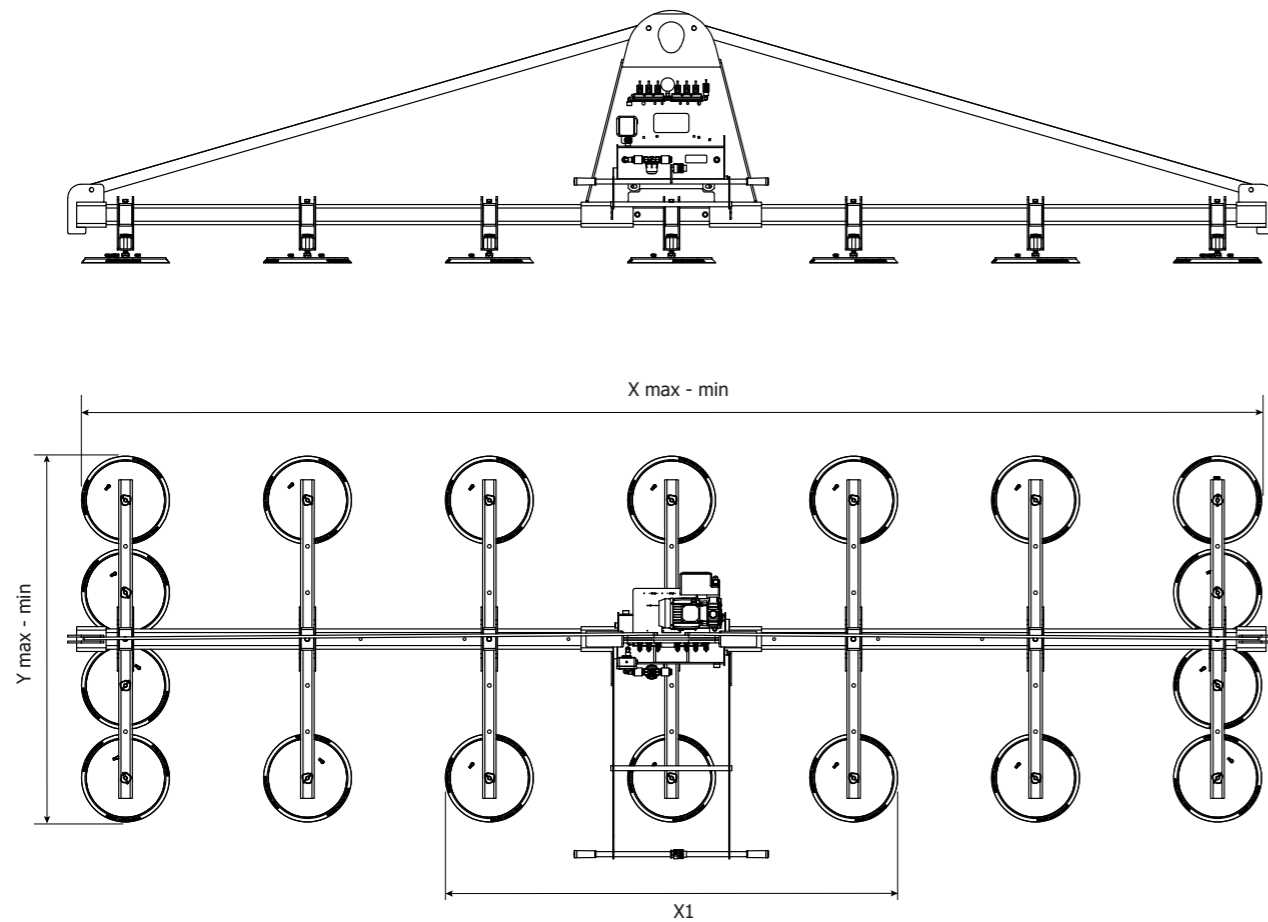
Vacuum lifter with steel frame structure fixed in horizontal position. This lifter has a central beam at your choosing length (standard versions from 4000 to 6000 mm), nine adjustable cross-arms and eighteen vacuum pads.

Series F18EB 5000

 **Kg max 5000**

Pads		Lifting capacity	L	Arms		X1 (mm)		X (mm)		Y (mm)	Product code
nr.	Ø			nr.	mm	min	min	max	max		
18	390	5000	4000	7	1410	1299	3139	4145	1620	F18EB5000/4-4000	
			5000	7	1410	1299	3139	5145	1620	F18EB5000/4-5000	
			6000	7	1410	1299	3139	6145	1620	F18EB5000/4-6000	

Technical drawing



F20EB

Power supply
electric

n° of pads
20



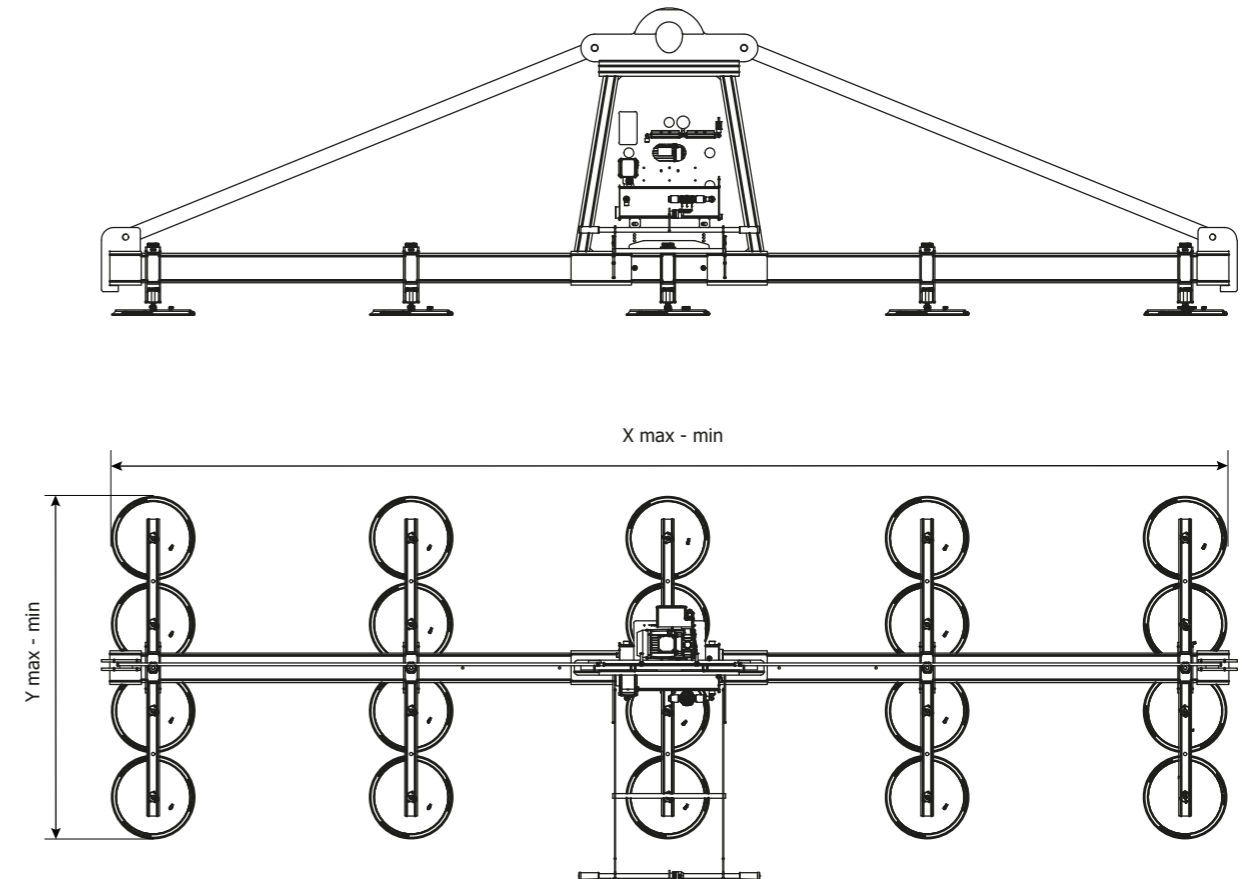
Vacuum lifter for sheet metal with weight up to 5500kg. The central beam is available in three different configurations: 4000 – 5000 – 6000 mm. Reinforced structure with steel tie-rods and fixed frame in horizontal position.

Series F20EB 5500

 **Kg max 5500**

Pads		Lifting capacity	L	Arms		X1 (mm)		X (mm)		Y (mm)	Product code
nr.	Ø			nr.	mm	min	min	max	max		
20	390	5500	4000	5	1410	1431	2331	4300	1620	F20EB5500/4-4000	
			5000	5	1410	1431	2331	5300	1620	F20EB5500/4-5000	
			6000	5	1410	1431	2331	6300	1620	F20EB5500/4-6000	

Technical drawing



F28EB

Power supply
electric

n° of pads
28



Horizontal
movement

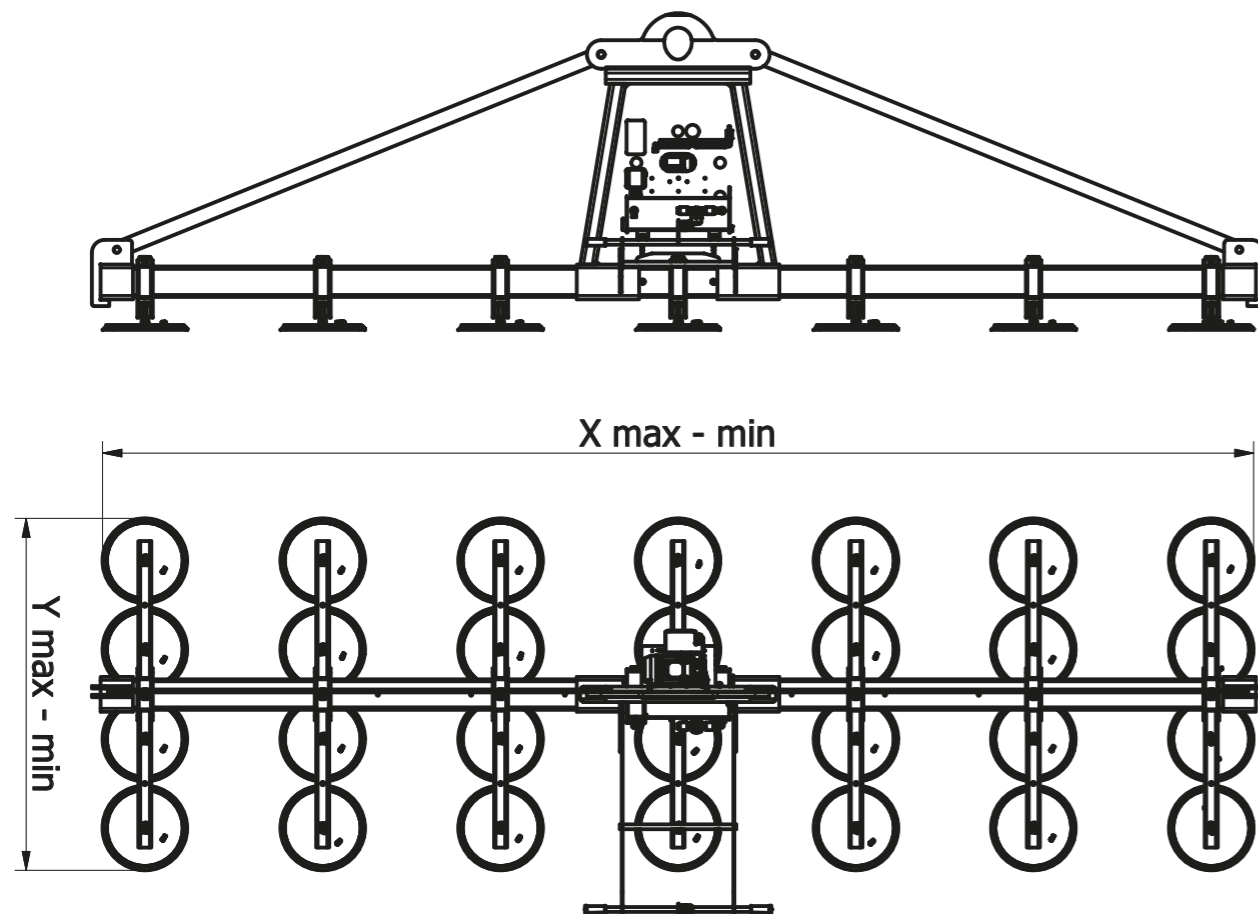
Vacuum lifter with a horizontally fixed steel frame. This lifter has a central beam whose length is at your choice among 5000, 6000 or 7000mm. Custom beam lengths are available on request.

Series F28EB 7000

 **Kg max 7000**

Pads		Lifting capacity kg	L mm	Arms		X1 (mm)			X (mm)		Y (mm) max	Product code
nr.	Ø			nr.	mm	min	min	max	min	max		
28	390	7000	5000	7	1410	1431	3231	5300	1620	F28EB7000/4-5000		
			6000	7	1410	1431	3231	6300	1620	F28EB7000/4-6000		
			7000	7	1410	1431	3231	7300	1620	F28EB7000/4-7000		

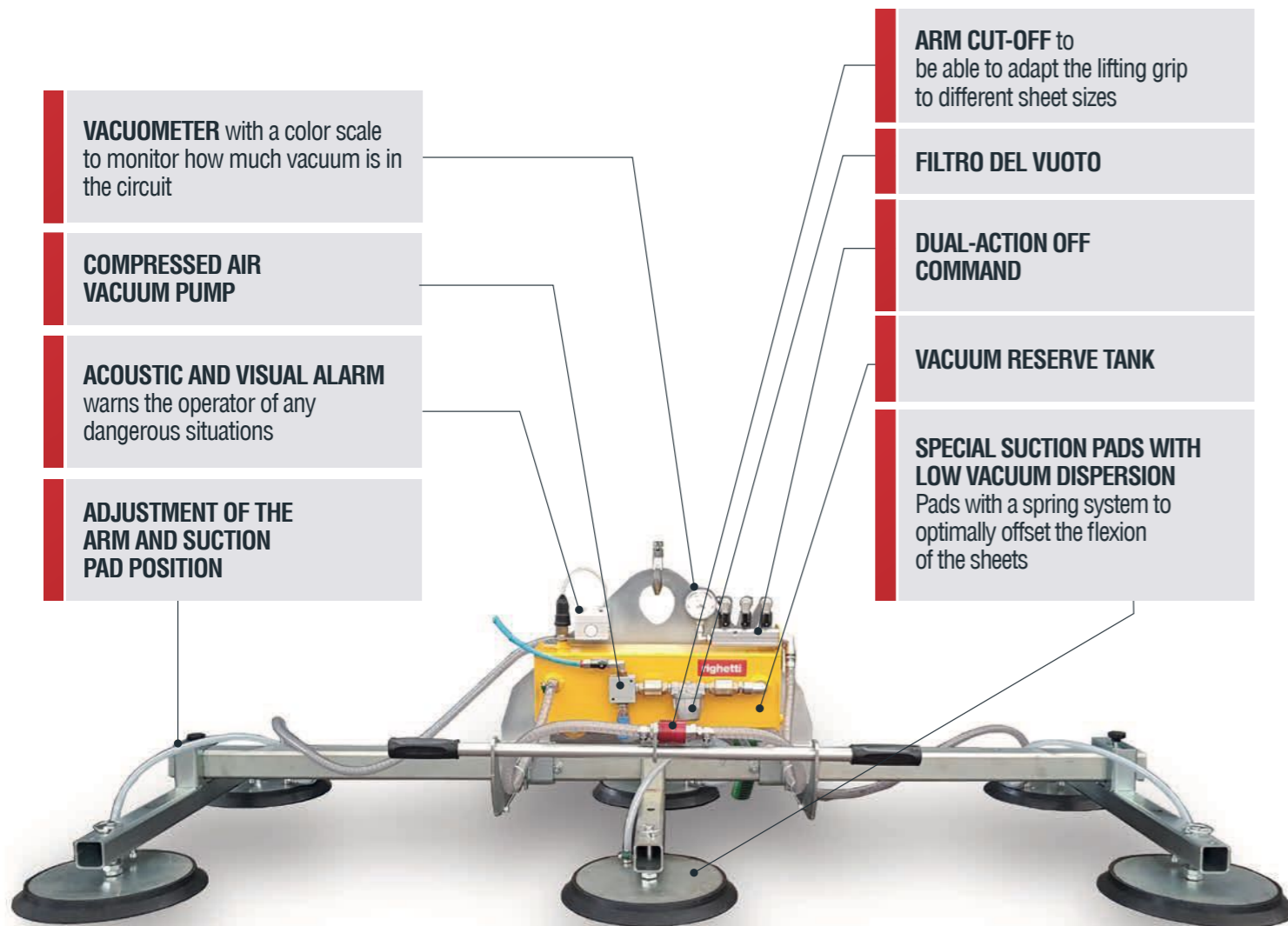
Technical drawing



Another solution for handling sheet metal, aluminium and stainless steel is a pneumatic vacuum lifter.

Vacuum lifters powered by compressed air are the ideal solution for jib cranes and other lifting means where pneumatic power supply is reachable. Thanks to their on-board Venturi vacuum pump, Righetti vacuum lifters with pneumatic power supply simply need a connection to the air compressor.

Each series will be available with different lengths of the beam.



Vacuum lifter for sheet metal

compressed air operated



Compressed air powered



Horizontal movement

Righetti
smart vacuum lifters

FS4A

Power supply
AIR compressed air

n° of pads
4



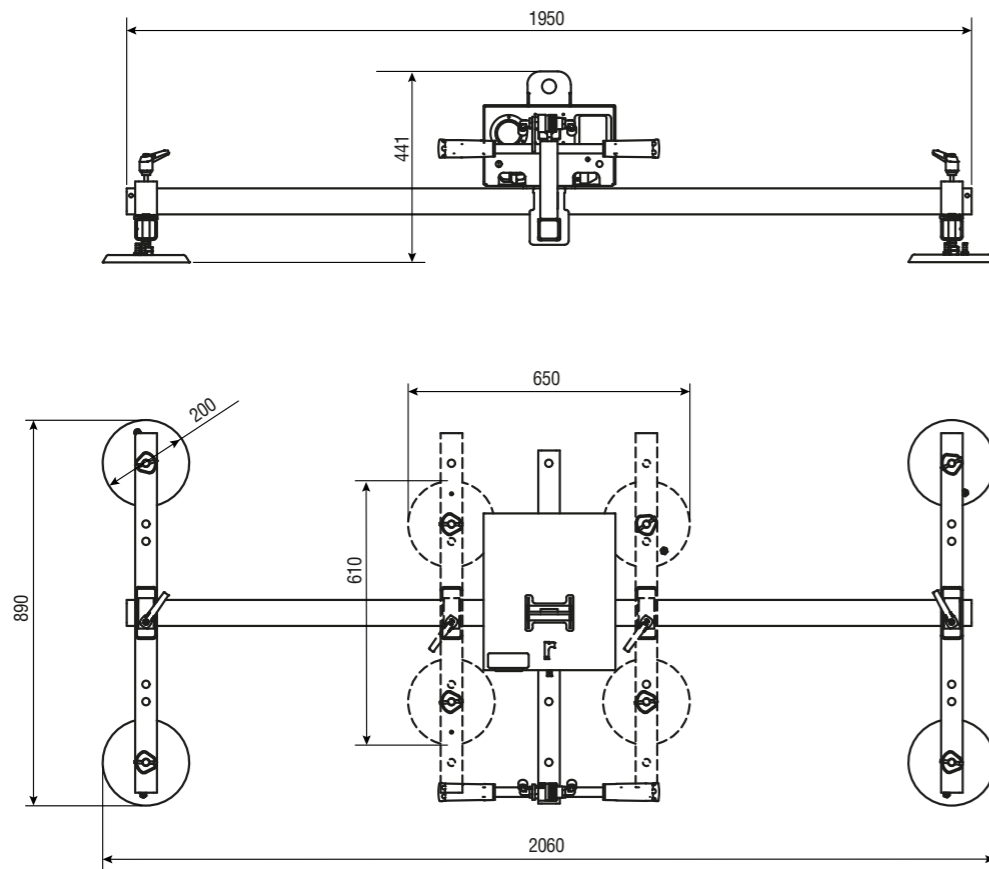
Vacuum lifter with lowered structure to reduce the below-the-hook height. The lifter's frame is horizontally fixed and is equipped with 4 suction pads. Cross arms are freely adjustable on the central beam.

Series FS4A 250

Kg max 250

Pads		Lifting capacity	L	Arms		X (mm)		Y (mm)		Product code
nr.	Ø	kg	mm	nr.	mm	min	max	min	max	
4	200	250	1950	2	830	650	2060	610	890	FS4A 250

Technical drawing



FS6A

Power supply
AIR compressed air

n° of pads
6



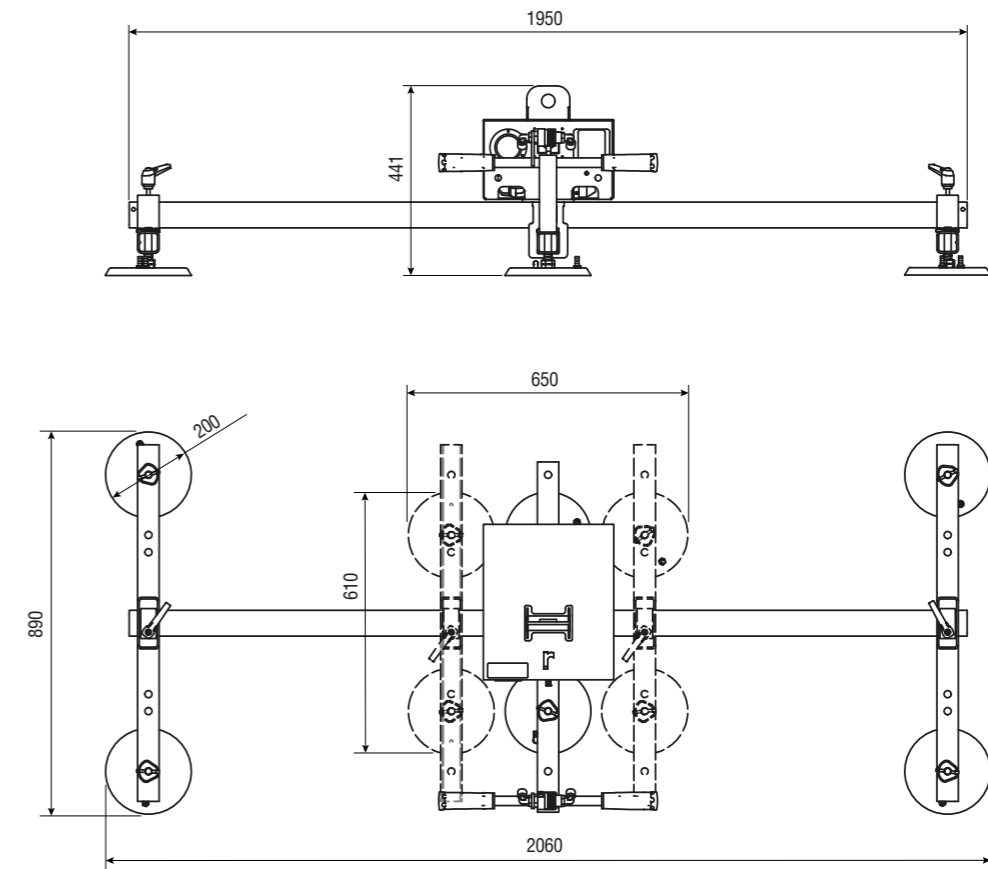
Vacuum lifter with lowered structure to reduce the below-the-hook height. The lifter's frame is horizontally fixed and is equipped with 6 suction pads. Side cross arms are freely adjustable along the central beam.

Series FS6A 500

Kg max 500

Pads		Lifting capacity	L	Arms		X (mm)		Y (mm)		Product code
nr.	Ø	kg	mm	nr.	mm	min	max	min	max	
6	200	500	1950	3	830	650	2060	610	890	FS6A 500

Technical drawing



FS8A

Power supply
AIR compressed air

n° of pads
8



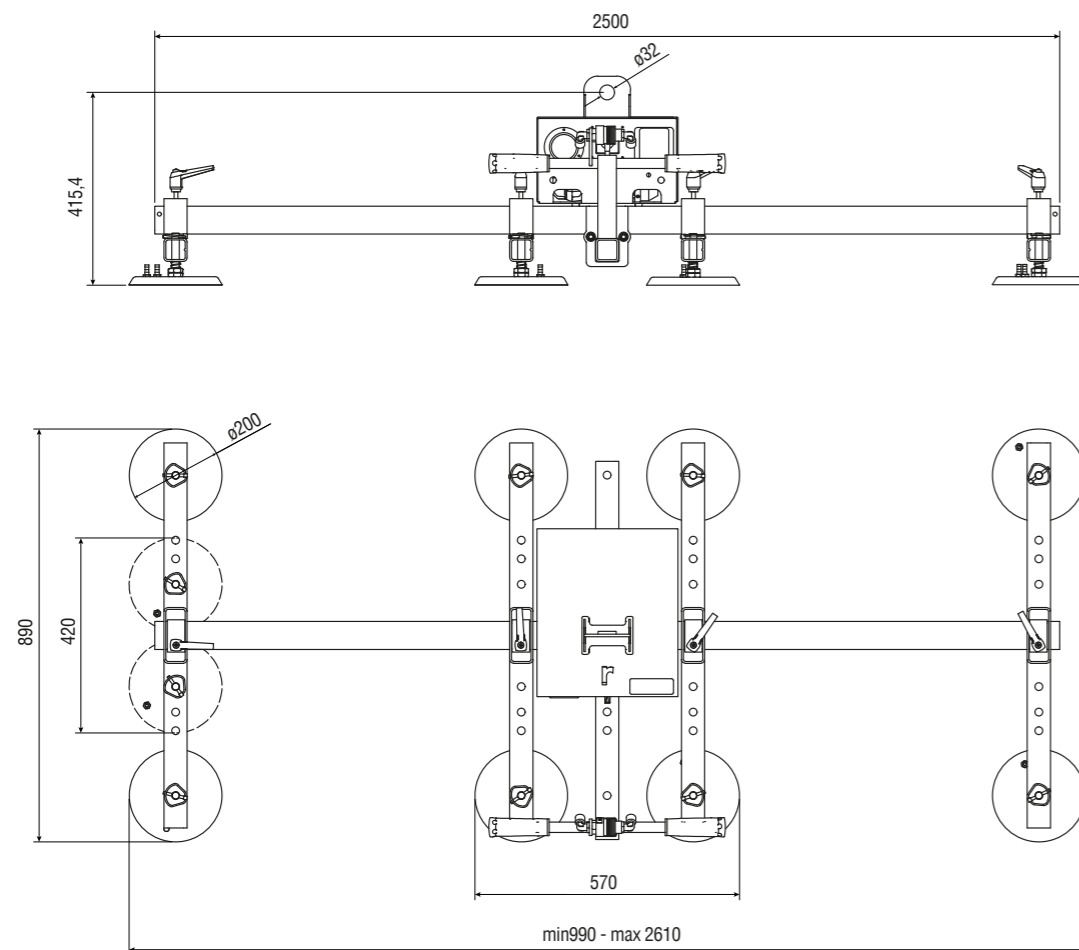
Vacuum lifter with lowered frame to reduce the below-the-hook-height. The frame is horizontally fixed and it's equipped with 8 suction pads. The suction pads are grouped by two on the four repositionable arms.

Series FS8A 600

Kg max 600

Pads		Lifting capacity	L	Arms		X (mm)		Y (mm)		Product code
nr.	Ø	kg	mm	nr.	mm	min	max	min	max	
8	200	600	2500	4	830	990	2610	420	890	FS8A 600

Technical drawing



F4A

Power supply
AIR compressed air

n° of pads
4



Vacuum lifter with steel frame structure fixed in horizontal position. This lifter has a central beam at your choosing length (standard versions from 1500 to 3000 mm), two adjustable cross arms and four vacuum pads.

Series F4A 600

Kg max 600

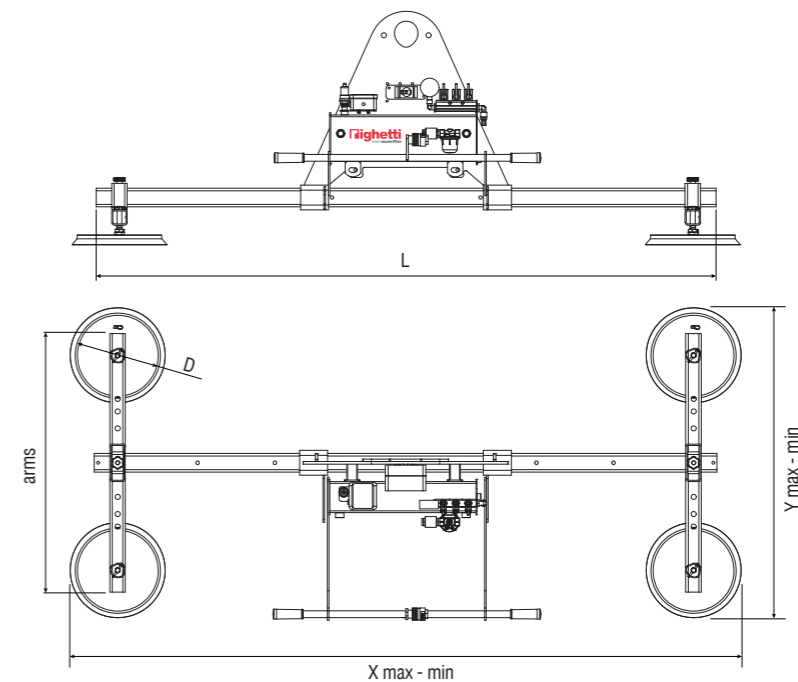
Pads		Lifting capacity	L	Arms		X (mm)		Y (mm)		Product code
nr.	Ø	kg	mm	nr.	mm	min	max	min	max	
4	310	600	1500	2	830	1145	1655	635	1000	F4A600/3-1500/750
			2000	2	830	1145	2155	635	1000	F4A600/3-2000/750
					1330	1145	2155	635	1500	F4A600/3-2000/1270
			3000	2	830	1145	3155	635	1000	F4A600/3-3000/750
1330	1145	3155			635	1500	F4A600/3-3000/1270			

Series F4A 1000

Kg max 1000

Pads		Lifting capacity	L	Arms		X (mm)		Y (mm)		Product code
nr.	Ø	kg	mm	nr.	mm	min	max	min	max	
4	390	1000	1500	2	830	1225	1735	800	1080	F4A1000/4-1500/750
			2000	2	830	1225	2235	800	1080	F4A1000/4-2000/750
					1330	1225	2235	800	1580	F4A1000/4-2000/1270
			3000	2	830	1225	3235	800	1080	F4A1000/4-3000/750
1330	1225	3235			800	1580	F4A1000/4-3000/1270			

Technical drawing



F6A

Power supply
AIR compressed air

n° of pads
6



Vacuum lifter with steel frame structure fixed in horizontal position. This lifter has a central beam at your choosing length (standard versions from 1500 to 3000 mm), three adjustable cross arms and six vacuum pads

Series F6A 1000

Kg max 1000

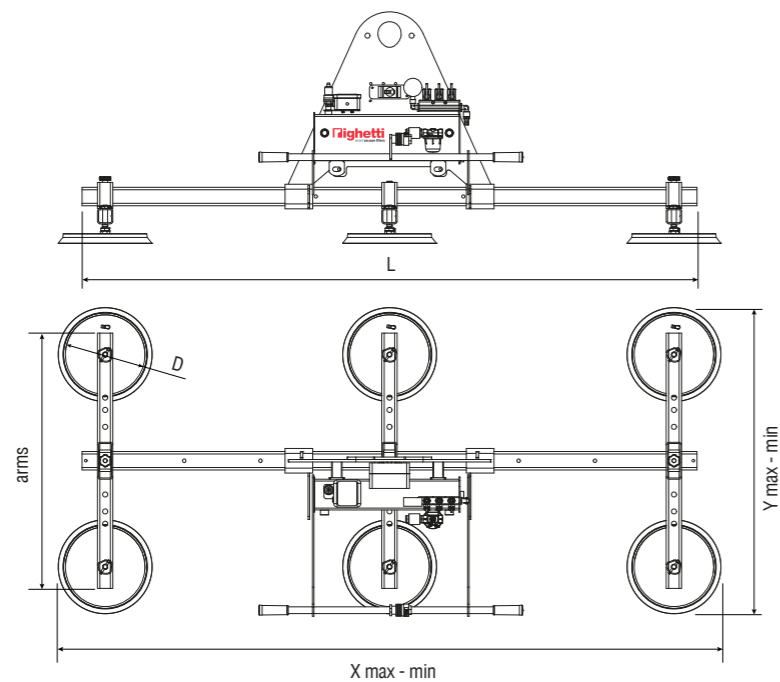
Pads		Lifting capacity	L	Arms		X (mm)		Y (mm)		Product code
nr.	∅			nr.	mm	min	max	min	max	
6	310	1000	1500	3	830	1145	1655	635	1000	F6A1000/3-1500/750
			2000	3	830	1145	2155	635	1000	F6A1000/3-2000/750
					1330	1145	2155	635	1500	F6A1000/3-2000/1270
			3000	3	830	1145	3065	635	1000	F6A1000/3-3000/750
1330	1145	3065			635	1500	F6A1000/3-3000/1270			

Series F6A 1800

Kg max 1800

Pads		Lifting capacity	L	Arms		X (mm)		Y (mm)		Product code
nr.	∅			nr.	mm	min	max	min	max	
6	390	1800	1500	3	830	1230	1740	800	1080	F6A1800/4-1500/750
			2000	3	830	1230	2240	800	1080	F6A1800/4-2000/750
					1330	1230	2240	800	1580	F6A1800/4-2000/1270
			3000	3	830	1230	3150	800	1080	F6A1800/4-3000/750
1330	1230	3150			800	1580	F6A1800/4-3000/1270			

Technical drawing



Righetti
smart vacuum lifters

FTS6A

Power supply
AIR compressed air

n° of pads
6



Vacuum lifter with telescopic frame, which is ideal for various formats of sheet metal up to 4000x2000mm. Its lowered frame reduces the below-the-hook height. The handlebar is extendable to guarantee a higher safety of the worker during the sheet handling.

Series FTS6A 1000

Kg max 1000

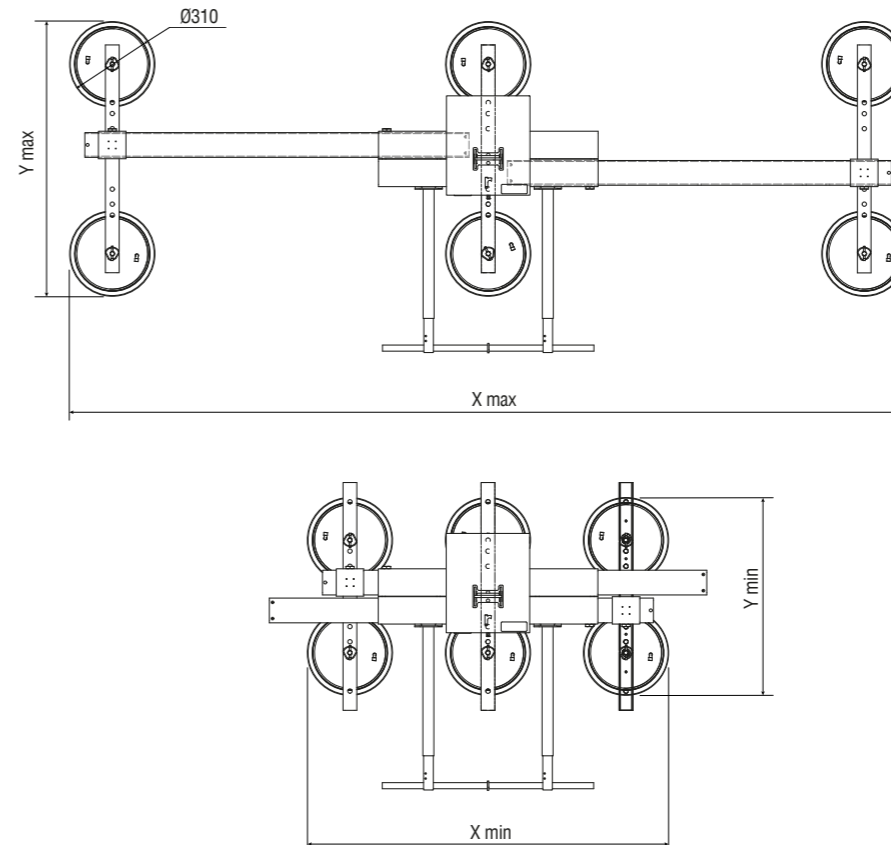
Pads		Lifting capacity	Arms		X (mm)		Y (mm)		Product code
nr.	∅		nr.	mm	min	max	min	max	
6	310	1000	3	830	1366	3120	706	985	FTS6A1000

Series FTS6A 1800

Kg max 1800

Pads		Lifting capacity	Arms		X (mm)		Y (mm)		Product code
nr.	∅		nr.	mm	min	max	min	max	
6	390	1800	3	830	1446	3200	791	1065	FTS6A1800

Technical drawing



Telescopic handlebar



Righetti
smart vacuum lifters

F8A

Power supply
AIR compressed air

n° of pads
8



Vacuum lifter with steel frame structure fixed in horizontal position. This lifter has a central beam at your choosing length (standard versions 2500 or 4000 mm), four adjustable cross arms and eight vacuum pads.

Series F8A 700

Kg max 700

Pads		Lifting capacity	L	Arms		X (mm)			Y (mm)		Product code
nr.	∅			kg	nr.	mm	X1	min	max	min	
8	200	700	2500	4	830	1035	2005	2455	420	890	F8A700/2-2500/750
			3000	4	830	1035	2005	2955	420	890	F8A700/2-3000/750
			3500	4	830	1035	2005	3455	420	890	F8A700/2-3500/750

Series F8A 1500

Kg max 1500

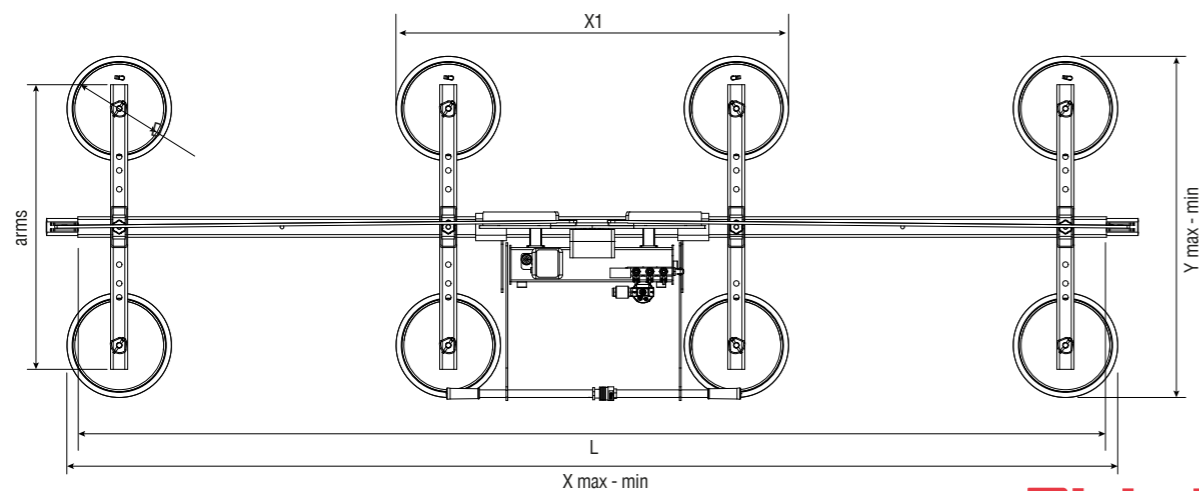
Pads		Lifting capacity	L	Arms		X (mm)			Y (mm)		Product code
nr.	∅			kg	nr.	mm	X1	min	max	min	
8	310	1500	3000	4	830	1145	2115	3065	635	1005	F8A1500/3-3000/750
					1330	1145	2115	3065	635	1500	F8A1500/3-3000/1270
					1330	1145	2115	4065	635	1500	F8A1500/3-4000/1270

Series F8A 2400

Kg max 2400

Pads		Lifting capacity	L	Arms		X (mm)			Y (mm)		Product code
nr.	∅			kg	nr.	mm	X1	min	max	min	
8	390	2400	3000	4	830	1230	2200	3150	800	1080	F8A2400/4-3000/750
					1330	1230	2200	3150	800	1580	F8A2400/4-3000/1270
					1330	1230	2200	4150	800	1580	F8A2400/4-4000/1270

Technical drawing



Righetti
smart vacuum lifters

FT10A

Power supply
AIR compressed air

n° of pads
10



Vacuum lifter with telescopic frame with length adjustment, perfect for sheet metal of variable dimensions, up to 6000 mm. The ten vacuum pads are placed on 5 cross-arms.

Series FT10A 800

Kg max 800

Pads		Lifting capacity	Arms		X1 (mm)		X (mm)		Y (mm)		Product code
nr.	∅		nr.	mm	min	max	min	max	min	max	
10	200	800	5	1330	1015	2215	2655	4900	530	1390	FT10A800

Series FT10A 2000

Kg max 2000

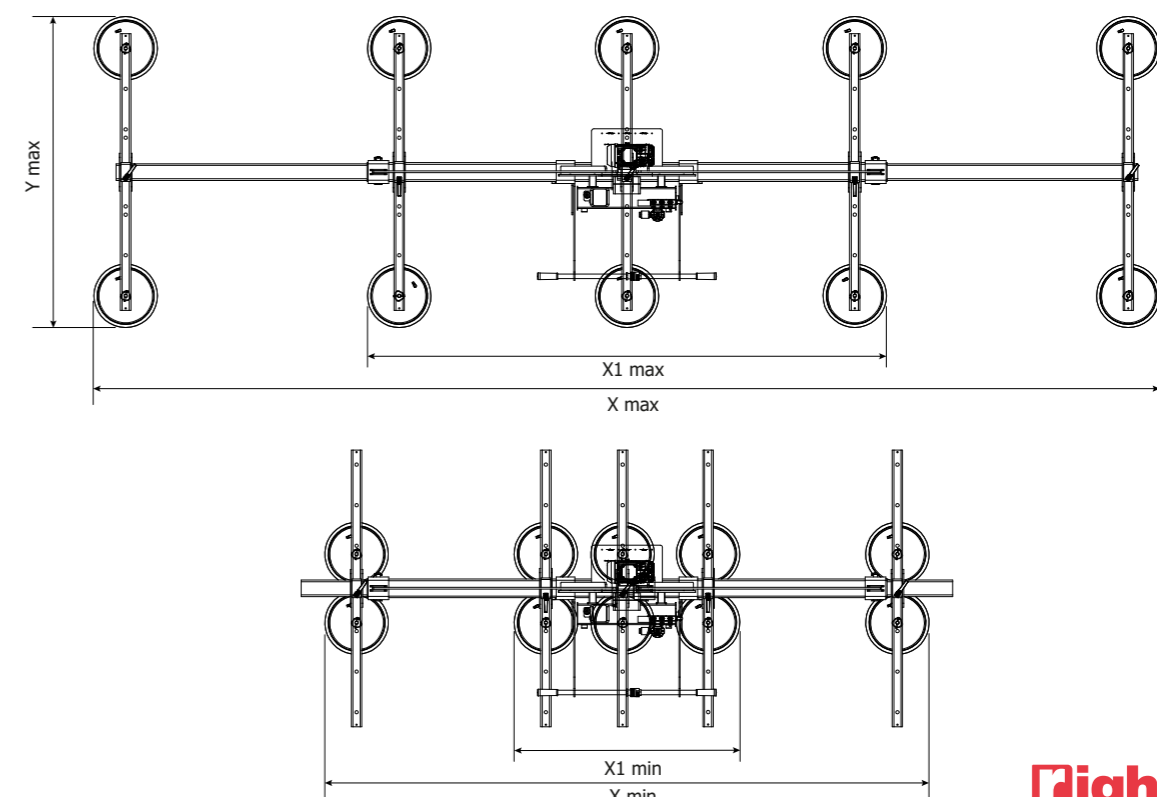
Pads		Lifting capacity	Arms		X1 (mm)		X (mm)		Y (mm)		Product code
nr.	∅		nr.	mm	min	max	min	max	min	max	
10	310	2000	5	1330	1125	2325	2765	5010	640	1500	FT10A2000

Series FT10A 3000

Kg max 3000

Pads		Lifting capacity	Arms		X1 (mm)		X (mm)		Y (mm)		Product code
nr.	∅		nr.	mm	min	max	min	max	min	max	
10	390	3000	5	1330	1205	2405	2845	5090	800	1580	FT10A23000

Technical drawing



Righetti
smart vacuum lifters

F10A

Power supply
AIR compressed air

n° of pads
10



Vacuum lifter with steel frame structure fixed in horizontal position. This lifter has a central beam at your choosing length (standard versions from 3000 to 5000 mm), five adjustable cross-arms and ten vacuum pads.

Series F10A 2000

Kg max 2000

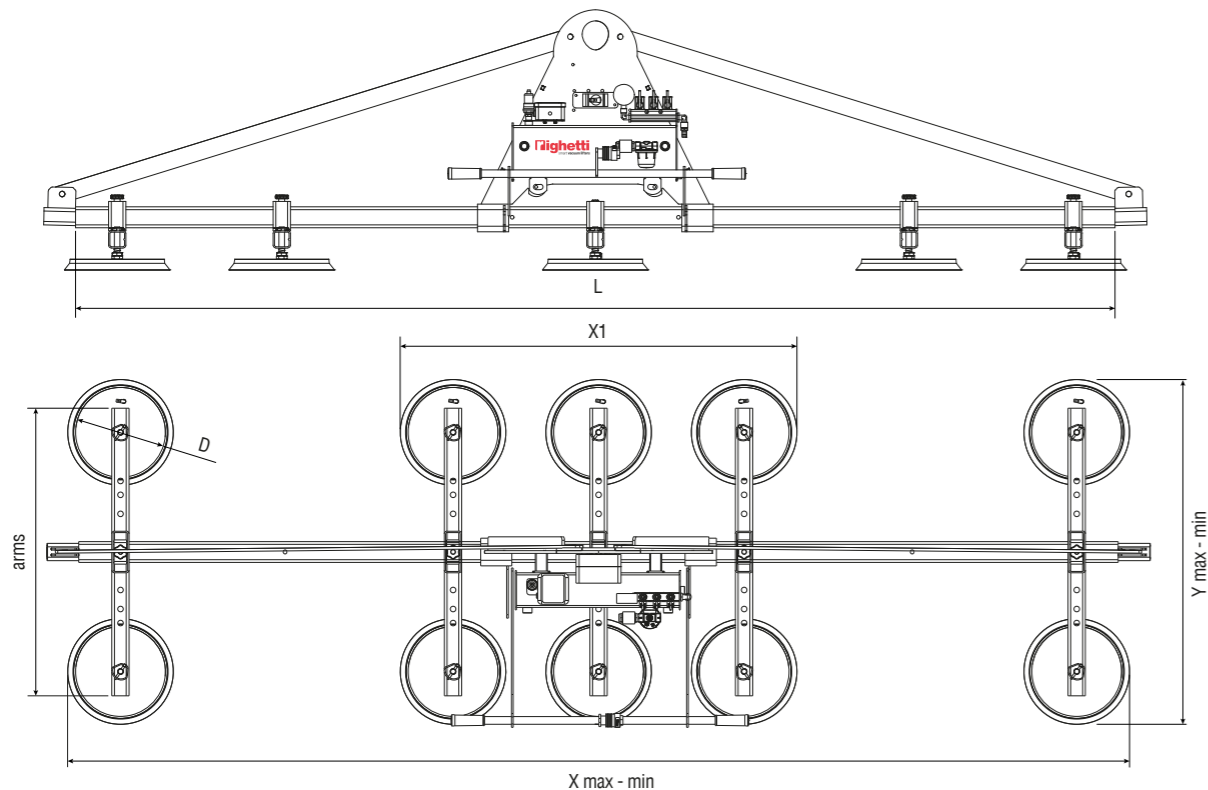
Pads		Lifting capacity	L	Arms		X (mm)			Y (mm)		Product code
nr.	Ø			kg	mm	nr.	mm	X1	min	max	
10	310	2000	3000	5	830	1145	2115	3065	640	1000	F10A2000/3-3000/750
				5	1330	1145	2115	3065	640	1500	F10A2000/3-3000/1270
				5	1330	1145	2115	4065	640	1500	F10A2000/3-4000/1270
				5	1330	1145	2115	5065	640	1500	F10A2000/3-5000/1270

Series F10A 3000

Kg max 3000

Piastre		Portata	L	Braccetti		X (mm)			Y (mm)		Product code
nr.	Ø			kg	mm	nr.	mm	X1	min	max	
10	390	3000	3000	5	1330	1230	2195	3150	800	1580	F10A3000/4-3000/1270
				5	1330	1230	2195	4150	800	1580	F10A3000/4-4000/1270
				5	1330	1230	2195	5150	800	1580	F10A3000/4-5000/1270

Technical drawing



F14A

Power supply
AIR compressed air

n° of pads
14



Vacuum lifter with steel frame structure fixed in horizontal position. This lifter has a central beam at your choosing length (standard versions from 4000 to 6000 mm), seven adjustable cross-arms and fourteen vacuum pads.

Series F14A 2800

Kg max 2800

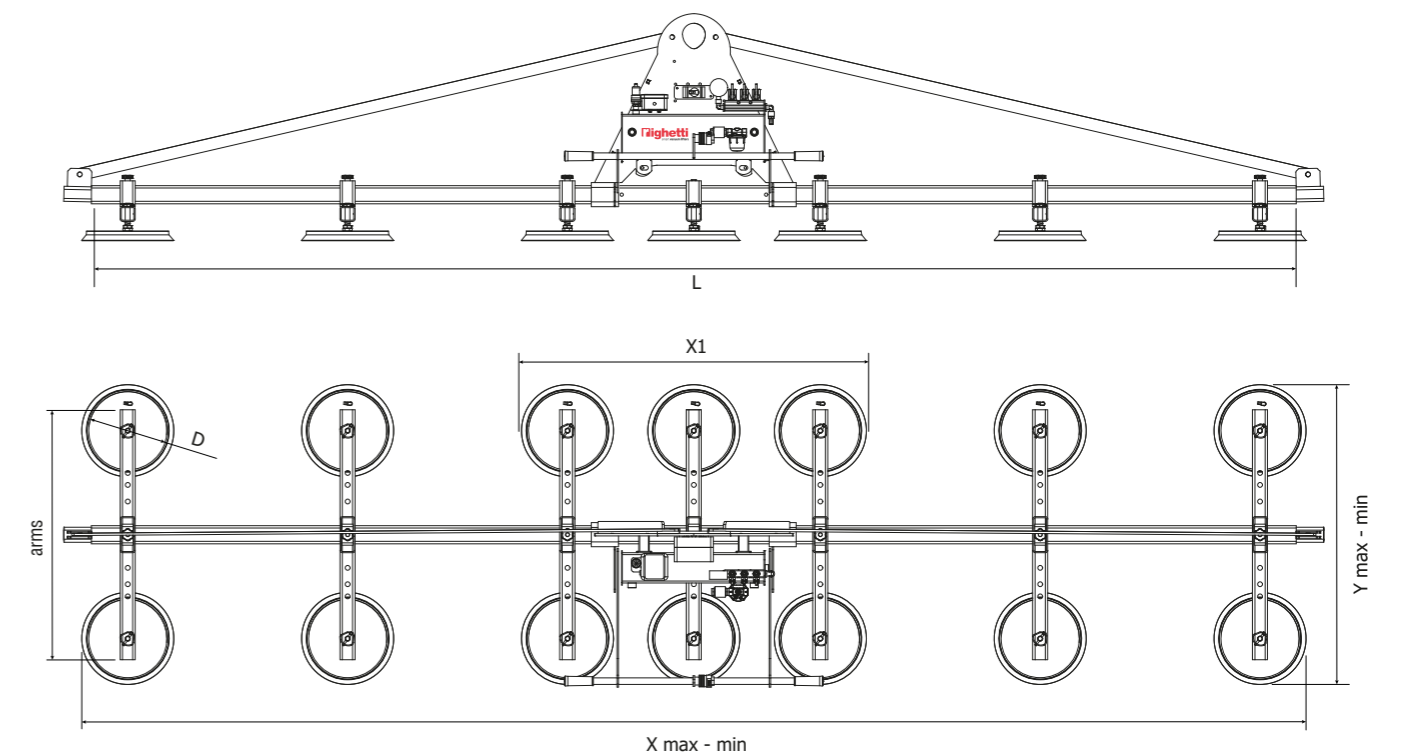
Pads		Lifting capacity	L	Arms		X (mm)			Y (mm)		Product code
nr.	Ø			kg	mm	nr.	mm	X1	min	max	
14	310	2800	4000	7	830	1145	3105	4065	635	1000	F14A2800/3-4000/750
				7	1330	1145	3105	4065	635	1500	F14A2800/3-4000/1270

Series F14A 4200

Kg max 4200

Pads		Lifting capacity	L	Arms		X (mm)			Y (mm)		Product code
nr.	Ø			kg	mm	nr.	mm	X1	min	max	
14	390	4200	4000	7	1330	1299	3139	4145	800	1580	F14A4200/4-4000/1270
				7	1330	1299	3139	5145	800	1580	F14A4200/4-5000/1270
				7	1330	1299	3139	6145	800	1580	F14A4200/4-6000/1270

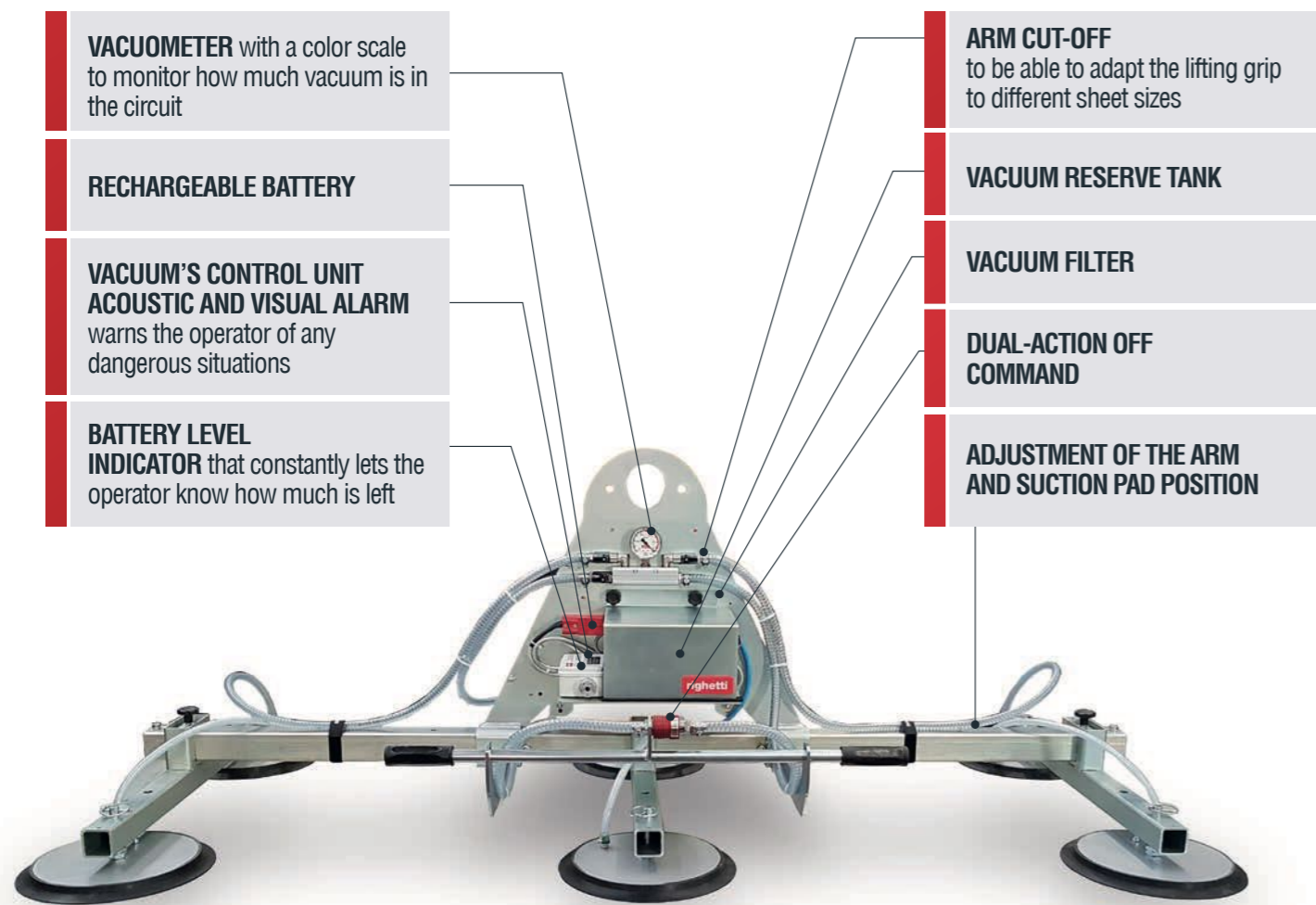
Technical drawing



The F-B series includes sheet metal vacuum lifters powered by on-board rechargeable batteries.

Battery-powered vacuum lifters are the perfect solution for working in those situations where it is not possible to guarantee the power supply. Batteries are rechargeable via the battery charger (included).

These models are equipped with an on-board PLC computer that ensures the proper functioning of the main components of the lifter, allowing you to work safely.



Vacuum lifter for sheet metal

battery operated



Battery powered



Horizontal movement

FS4B

Power supply
 battery

n° of pads
4



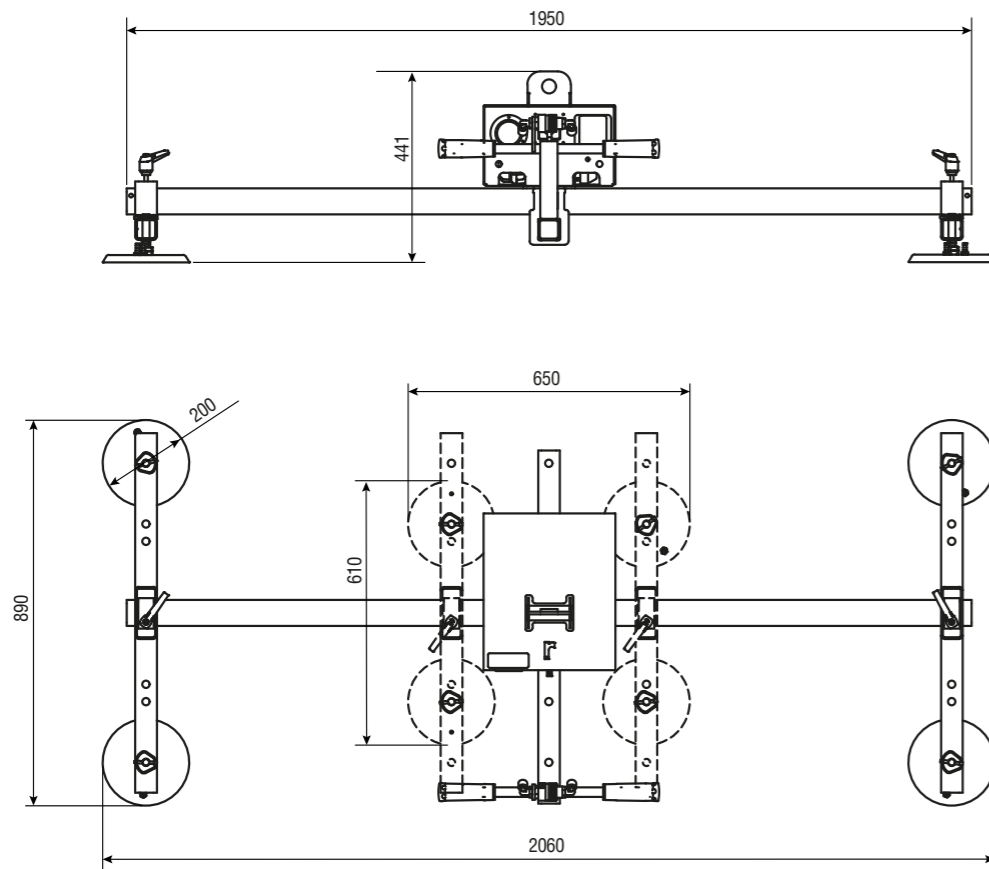
Vacuum lifter with lowered structure to reduce the below-the-hook height. The lifter's frame is horizontally fixed and is equipped with 4 suction pads. Cross arms are freely adjustable on the central beam.

Series FS4B 250

 **Kg max 250**

Pads		Lifting capacity	L	Arms		X (mm)		Y (mm)		Product code
nr.	∅	kg	mm	nr.	mm	min	max	min	max	
4	200	250	1950	2	830	650	2060	610	890	FS4B 250

Technical drawing



FS6B

Power supply
 battery

n° of pads
6



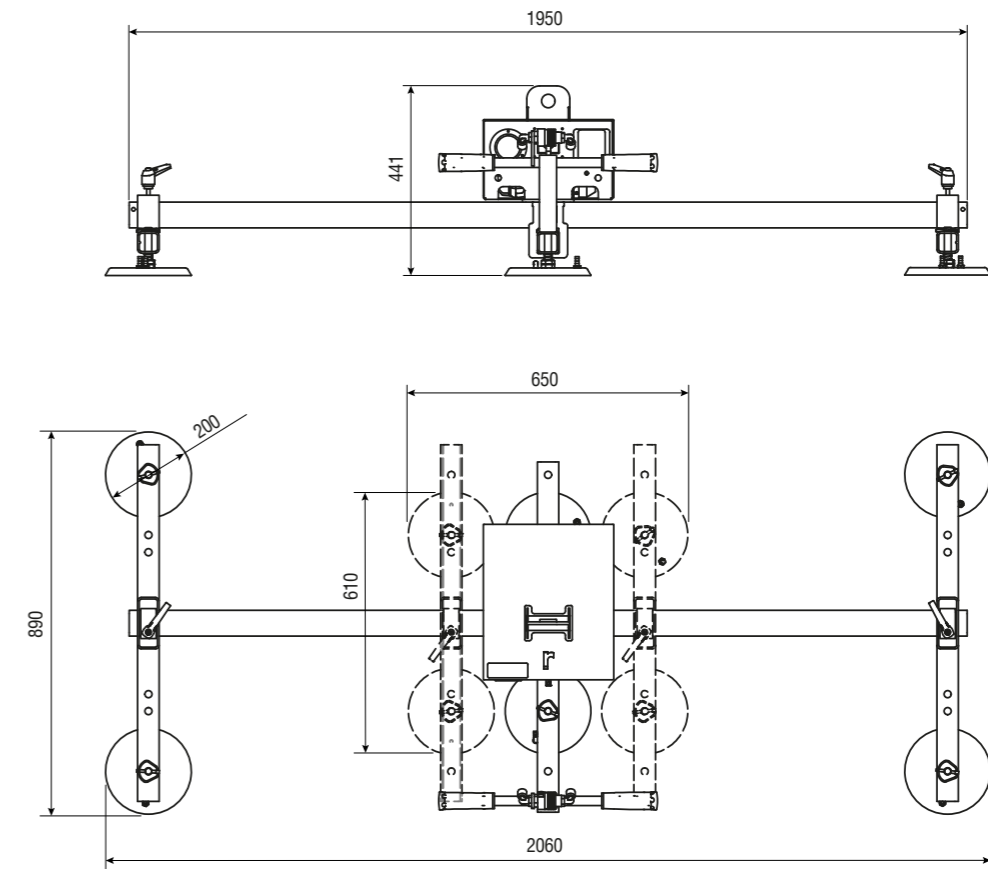
Vacuum lifter with lowered structure to reduce the below-the-hook height. The lifter's frame is horizontally fixed and is equipped with 6 suction pads. Side cross arms are freely adjustable along the central beam.

Series FS6B 500

 **Kg max 500**

Pads		Lifting capacity	L	Arms		X (mm)		Y (mm)		Product code
nr.	∅	kg	mm	nr.	mm	min	max	min	max	
6	200	500	1950	3	830	650	2060	610	890	FS6B 500

Technical drawing



FS8B

Power supply
battery

n° of pads
8



Horizontal movement

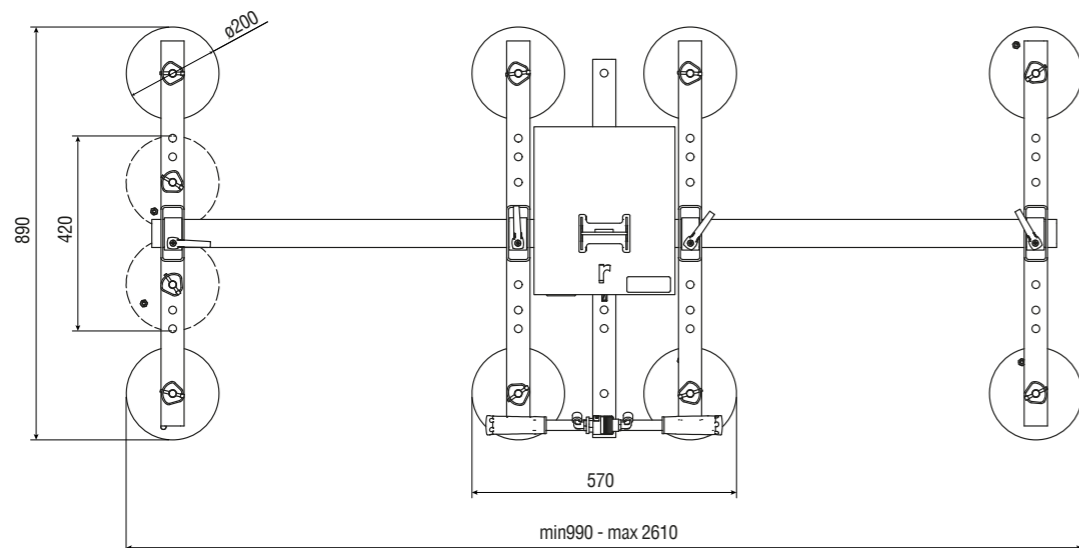
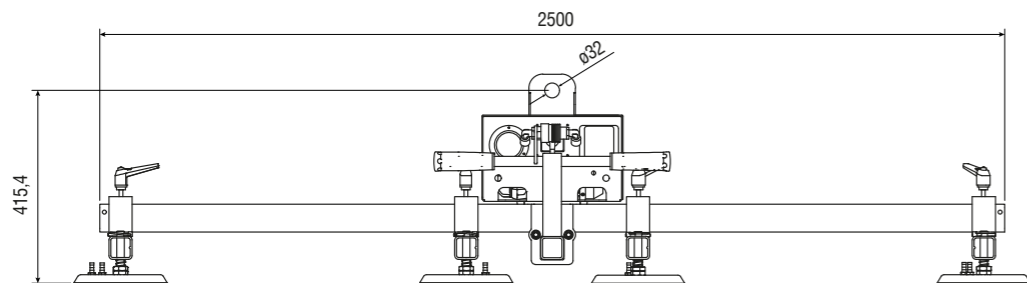
Vacuum lifter with lowered frame to reduce the below-the-hook-height. The frame is horizontally fixed and it's equipped with 8 suction pads. The suction pads are grouped by two on the four repositionable arms.

Series FS8B 600

Kg max 600

Pads		Lifting capacity	L	Arms		X (mm)		Y (mm)		Product code
nr.	Ø	kg	mm	nr.	mm	min	max	min	max	
8	200	600	2500	4	830	990	2610	420	890	FS8B 600

Technical drawing



F4B

Power supply
battery

n° of pads
4



Horizontal movement



Vacuum lifter with steel frame structure fixed in horizontal position. This lifter has a central beam at your choosing length (standard versions from 1500 to 3000 mm), two adjustable cross arms and four vacuum pads.

Series F4B 600

Kg max 600

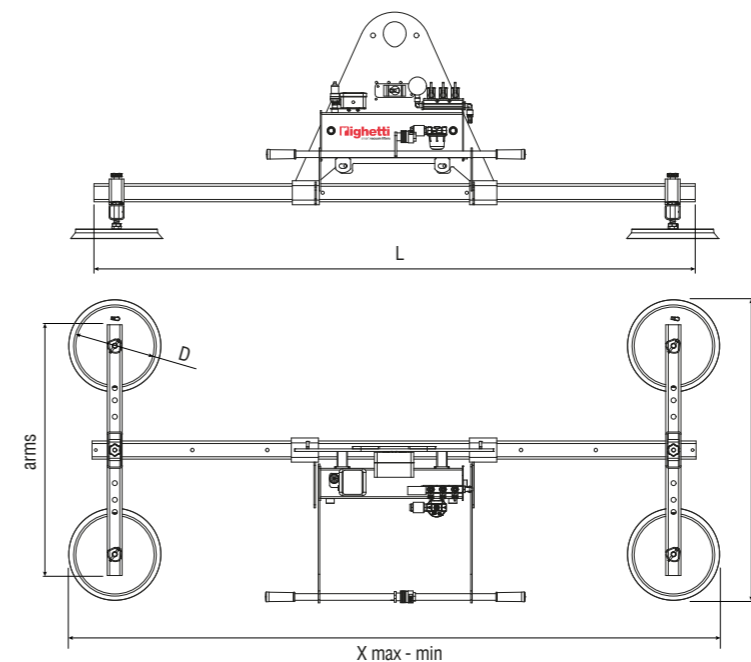
Pads		Lifting capacity	L	Arms		X (mm)		Y (mm)		Product code
nr.	Ø	kg	mm	nr.	mm	min	max	min	max	
4	310	600	1500	2	830	1145	1655	635	1000	F4B600/3-1500/750
			2000	2	830	1145	2155	635	1000	F4B600/3-2000/750
					1330	1145	2155	635	1500	F4B600/3-2000/1270
			3000	2	830	1145	3155	635	1000	F4B600/3-3000/750
1330	1145	3155			635	1500	F4B600/3-3000/1270			

Series F4B 1000

Kg max 1000

Pads		Lifting capacity	L	Arms		X (mm)		Y (mm)		Product code
nr.	Ø	kg	mm	nr.	mm	min	max	min	max	
4	390	1000	1500	2	830	1225	1735	800	1080	F4B1000/4-1500/750
			2000	2	830	1225	2235	800	1080	F4B1000/4-2000/750
					1330	1225	2235	800	1580	F4B1000/4-2000/1270
			3000	2	830	1225	3235	800	1080	F4B1000/4-3000/750
1330	1225	3235			800	1580	F4B1000/4-3000/1270			

Technical drawing



Optional
Forklift structure
Radio remote control



F6B

Power supply
battery

n° of pads
6



Horizontal movement



Vacuum lifter with steel frame structure fixed in horizontal position. This lifter has a central beam at your choosing length (standard versions from 1500 to 3000 mm), three adjustable cross arms and six vacuum pads.

Series F6B 1000

Kg max 1000

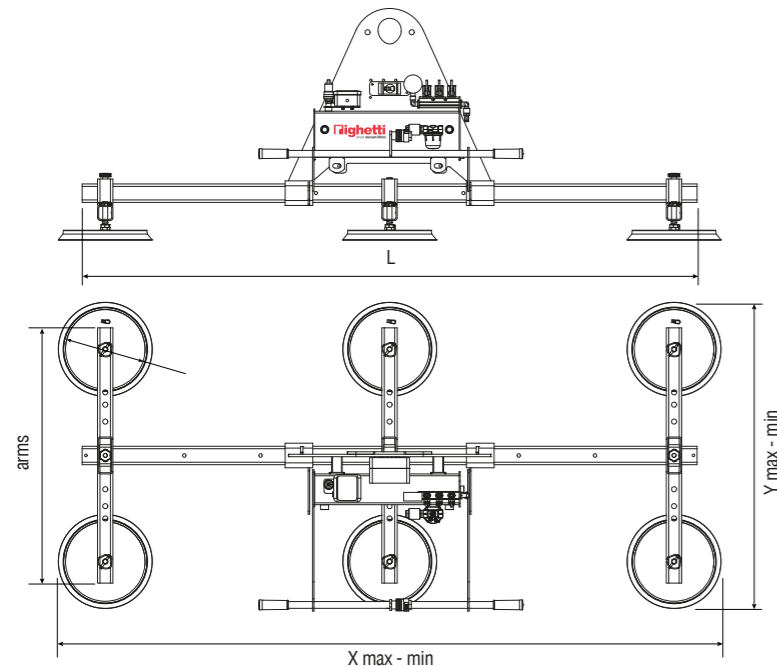
Pads		Lifting capacity	L	Arms		X (mm)		Y (mm)		Product code
nr.	Ø			nr.	mm	min	max	min	max	
6	310	1000	1500	3	830	1145	1655	635	1000	F6B1000/3-1500/750
			2000	3	830	1145	2155	635	1000	F6B1000/3-2000/750
					1330	1145	2155	635	1500	F6B1000/3-2000/1270
			3000	3	830	1145	3065	635	1000	F6B1000/3-3000/750
1330	1145	3065			635	1500	F6B1000/3-3000/1270			

Series F6B 1800

Kg max 1800

Pads		Lifting capacity	L	Arms		X (mm)		Y (mm)		Product code
nr.	Ø			nr.	mm	min	max	min	max	
6	390	1800	1500	3	830	1230	1740	800	1080	F6B1800/4-1500/750
			2000	3	830	1230	2240	800	1080	F6B1800/4-2000/750
					1330	1230	2240	800	1580	F6B1800/4-2000/1270
			3000	3	830	1230	3150	800	1080	F6B1800/4-3000/750
1330	1230	3150			800	1580	F6B1800/4-3000/1270			

Technical drawing



Optional
Forklift structure
Radio remote control



ighetti
smart vacuum lifters

FTS6B

Power supply
battery

n° of pads
6



Horizontal movement



Vacuum lifter with telescopic frame, which is ideal for various formats of sheet metal up to 4000x2000mm. Its lowered frame reduces the below-the-hook height. The handlebar is extendable to guarantee a higher safety of the worker during the sheet handling.

Series FTS6B 1000

Kg max 1000

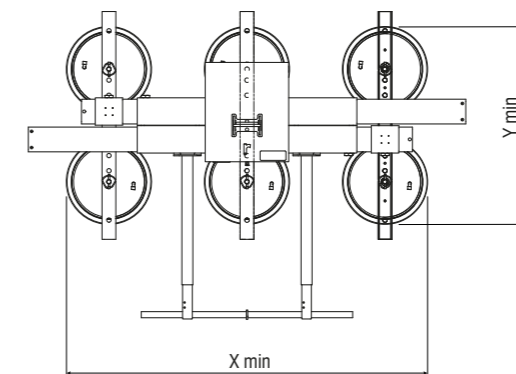
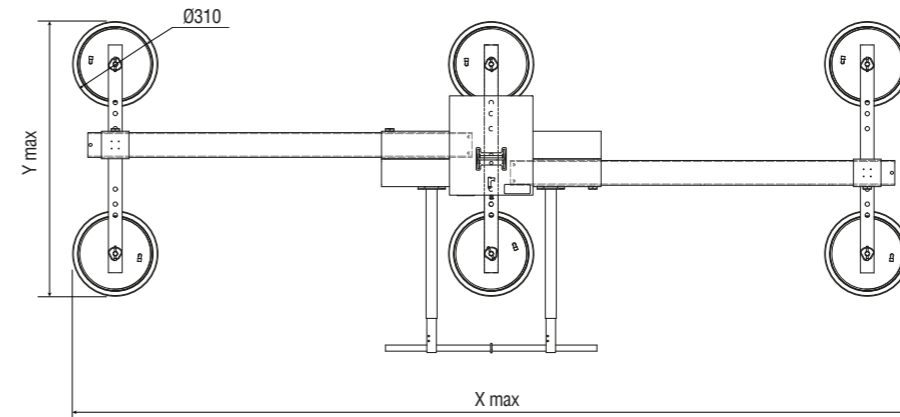
Pads		Lifting capacity	Arms		X (mm)		Y (mm)		Product code
nr.	Ø		nr.	mm	min	max	min	max	
6	310	1000	3	830	1366	3120	706	985	FTS6B1000

Series FTS6B 1800

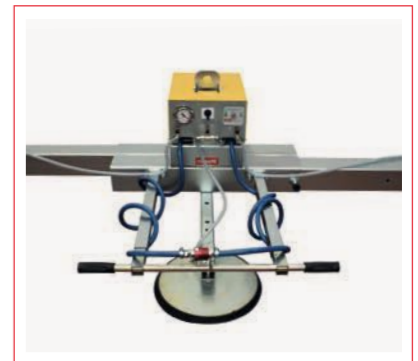
Kg max 1800

Pads		Lifting capacity	Arms		X (mm)		Y (mm)		Product code
nr.	Ø		nr.	mm	min	max	min	max	
6	390	1800	3	830	1446	3200	791	1065	FTS6B1800

Technical drawing



Telescopic handlebar



ighetti
smart vacuum lifters

F8B

Power supply
battery

n° of pads
8



Horizontal movement



Vacuum lifter with steel frame structure fixed in horizontal position. This lifter has a central beam at your choosing length (standard versions 2500 or 4000 mm), four adjustable cross arms and eight vacuum pads.

Series F8B 700

Kg max 700

Pads		Lifting capacity	L	Arms		X (mm)			Y (mm)		Product code
nr.	∅			kg	mm	nr.	mm	X1	min	max	
8	200	700	2500	4	830	1035	2005	2455	420	890	F8B700/2-2500/750
			3000	4	830	1035	2005	2955	420	890	F8B700/2-3000/750
			3500	4	830	1035	2005	3455	420	890	F8B700/2-3500/750

Series F8B 1500

Kg max 1500

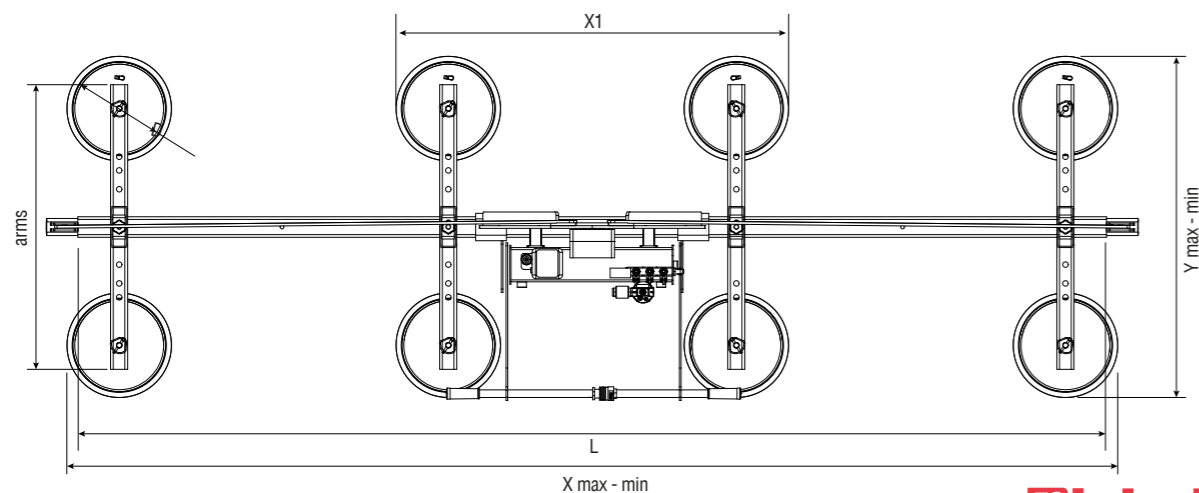
Pads		Lifting capacity	L	Arms		X (mm)			Y (mm)		Product code
nr.	∅			kg	mm	nr.	mm	X1	min	max	
8	310	1500	3000	4	830	1145	2115	3065	635	1005	F8B1500/3-3000/750
			4000	4	1330	1145	2115	3065	635	1500	F8B1500/3-4000/1270
			4000	4	1330	1145	2115	4065	635	1500	F8B1500/3-4000/1270

Series F8B 2400

Kg max 2400

Pads		Lifting capacity	L	Arms		X (mm)			Y (mm)		Product code
nr.	∅			kg	mm	nr.	mm	X1	min	max	
8	390	2400	3000	4	830	1230	2200	3150	800	1080	F8B2400/4-3000/750
			4000	4	1330	1230	2200	3150	800	1580	F8B2400/4-3000/1270
			4000	4	1330	1230	2200	4150	800	1580	F8B2400/4-4000/1270

Technical drawing



Righetti
smart vacuum lifters

FT10B

Power supply
battery

n° of pads
10



Horizontal movement



Telescopic



Vacuum lifter with telescopic frame with length adjustment, perfect for sheet metal of variable dimensions, up to 6000 mm. The ten vacuum pads are placed on 5 cross-arms. FT10EB is the ideal solution for 6000x2000 mm sheet metal.

Series FT10B 800

Kg max 800

Pads		Lifting capacity	Arms		X1 (mm)		X (mm)		Y (mm)		Product code
nr.	∅		kg	mm	nr.	mm	min	max	min	max	
10	200	800	5	1330	1015	2215	2655	4900	530	1390	FT10B800

Series FT10B 2000

Kg max 2000

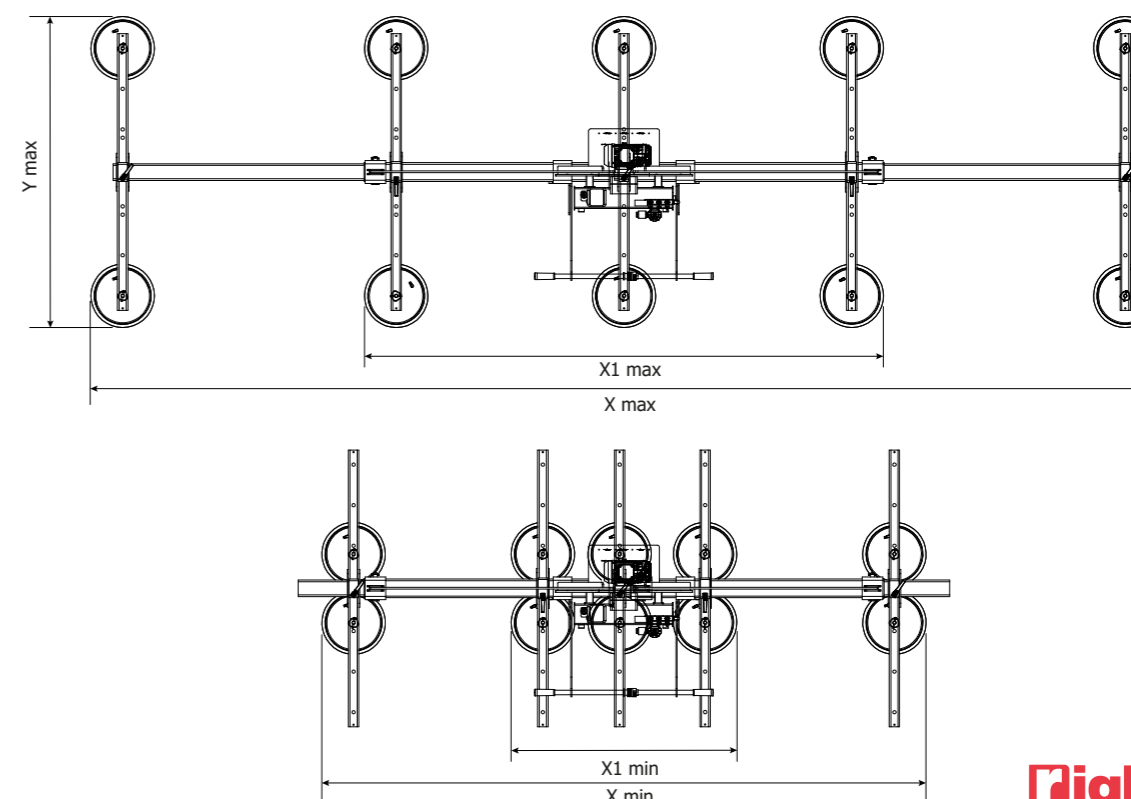
Pads		Lifting capacity	Arms		X1 (mm)		X (mm)		Y (mm)		Product code
nr.	∅		kg	mm	nr.	mm	min	max	min	max	
10	310	2000	5	1330	1125	2325	2765	5010	640	1500	FT10B2000

Series FT10B 3000

Kg max 3000

Pads		Lifting capacity	Arms		X1 (mm)		X (mm)		Y (mm)		Product code
nr.	∅		kg	mm	nr.	mm	min	max	min	max	
10	390	3000	5	1330	1205	2405	2845	5090	800	1580	FT10B3000

Technical drawing



Righetti
smart vacuum lifters

F10B

Power supply
battery

n° of pads
10



Horizontal movement



Vacuum lifter with steel frame structure fixed in horizontal position.
This lifter has a central beam at your choosing length (standard versions from 3000 to 5000 mm), five adjustable cross-arms and ten vacuum pads.

Series F10B 2000

Kg max 2000

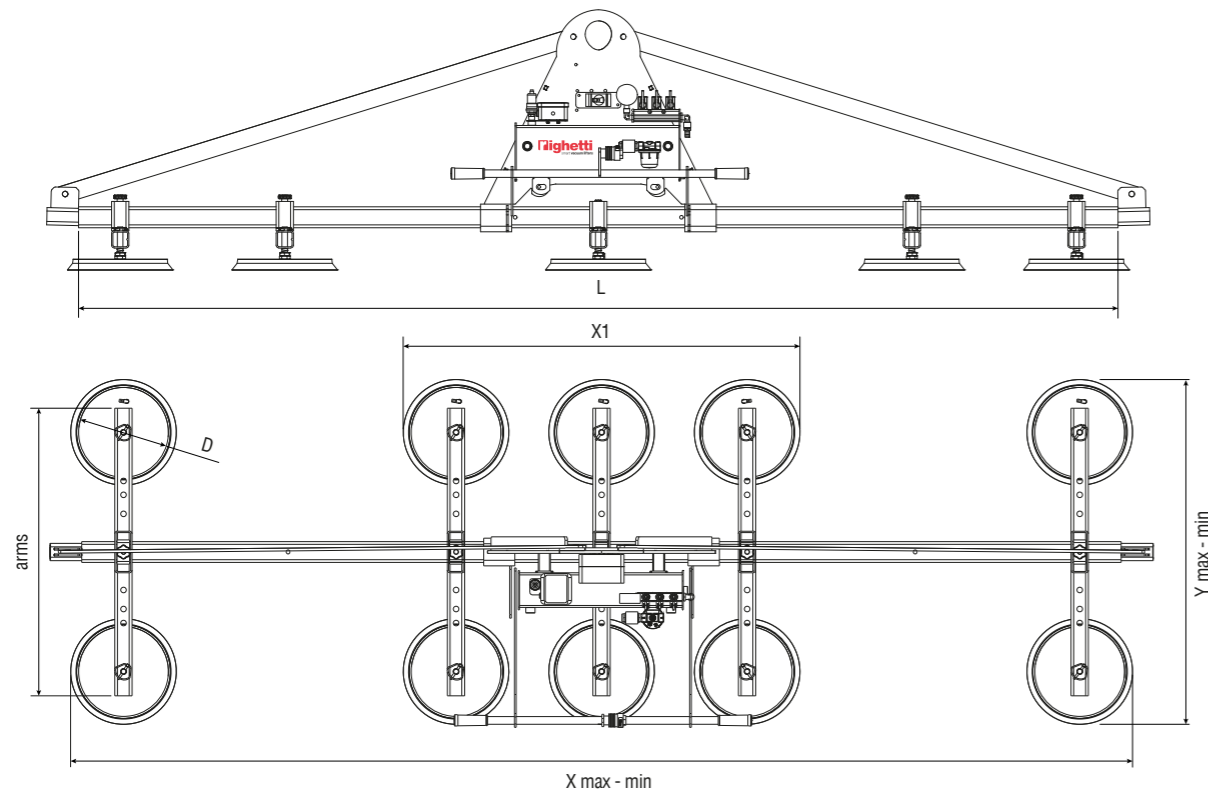
Pads		Lifting capacity kg	L mm	Arms		X (mm)			Y (mm)		Product code
nr.	Ø			nr.	mm	X1	min	max	min	max	
10	310	2000	3000	5	830	1145	2115	3065	640	1000	F10B2000/3-3000/750
				5	1330	1145	2115	3065	640	1500	F10B2000/3-3000/1270
				5	1330	1145	2155	4065	640	1500	F10B2000/3-4000/1270
				5	1330	1145	2155	5065	640	1500	F10B2000/3-5000/1270

Series F10B 3000

Kg max 3000

Pads		Lifting capacity kg	L mm	Arms		X (mm)			Y (mm)		Product code
nr.	Ø			nr.	mm	X1	min	max	min	max	
10	390	3000	3000	5	1330	1230	2195	3150	800	1580	F10B3000/4-3000/1270
				5	1330	1230	2195	4150	800	1580	F10B3000/4-4000/1270
				5	1330	1230	2195	5150	800	1580	F10B3000/4-5000/1270

Technical drawing



F14B

Power supply
battery

n° of pads
14



Horizontal movement

Vacuum lifter with steel frame structure fixed in horizontal position.
This lifter has a central beam at your choosing length (standard versions from 4000 to 6000 mm), seven adjustable cross-arms and fourteen vacuum pads.

Series F14B 2800

Kg max 2800

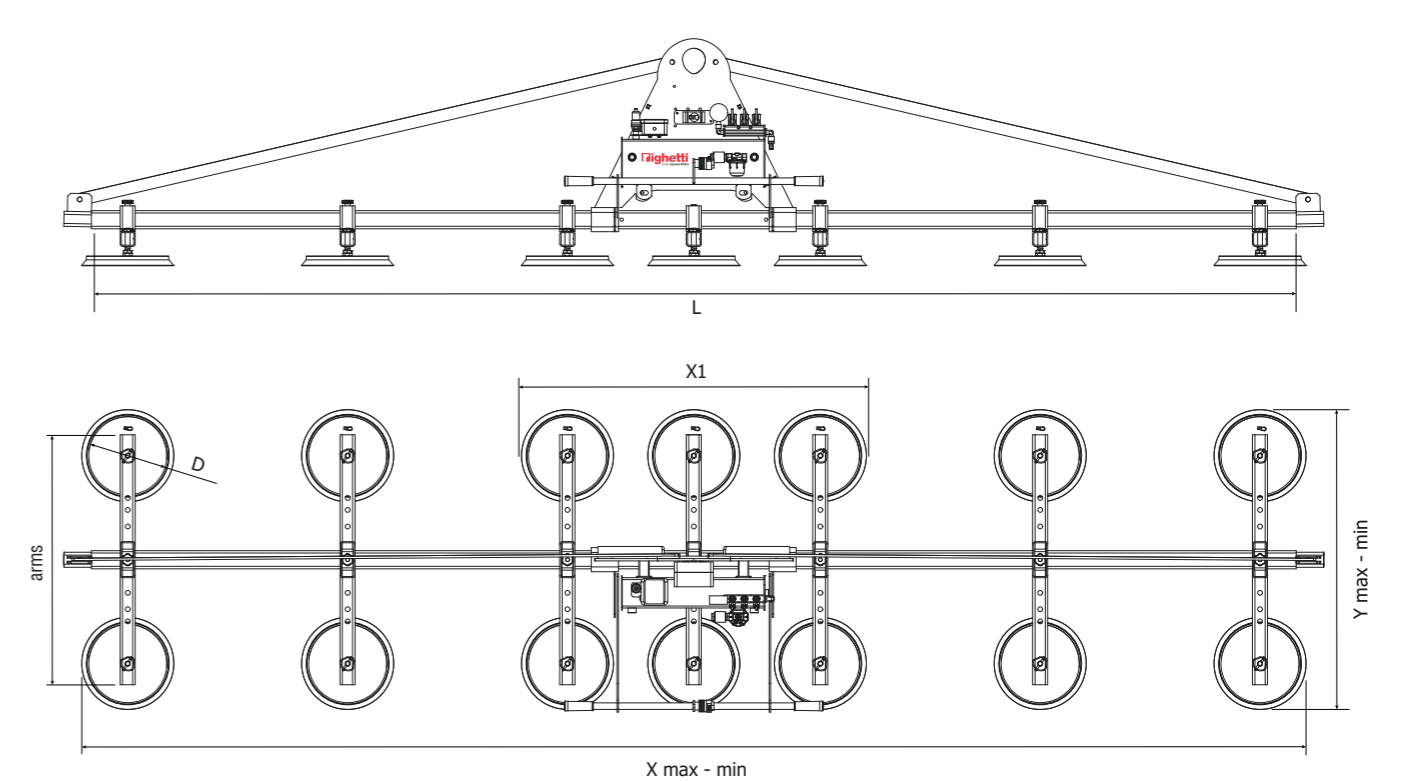
Pads		Lifting capacity kg	L mm	Arms		X (mm)			Y (mm)		Product code
nr.	Ø			nr.	mm	X1	min	max	min	max	
14	310	2800	4000	7	830	1145	3105	4065	635	1000	F14B2800/3-4000/750
				7	1330	1145	3105	4065	635	1500	F14B2800/3-4000/1270

Series F14B 4200

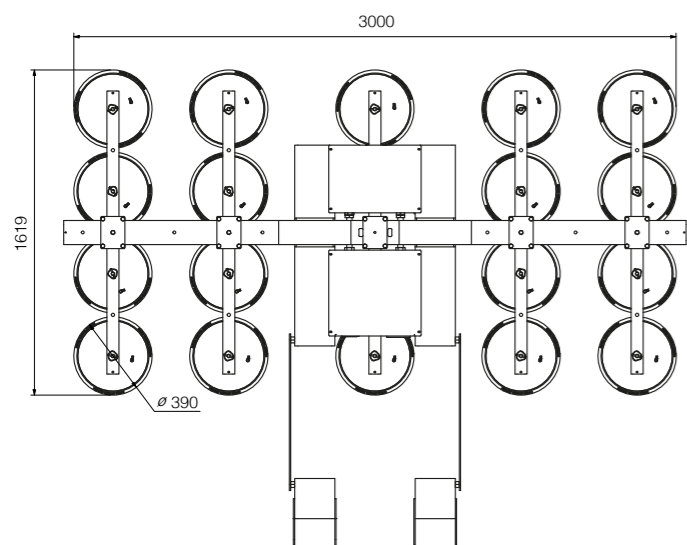
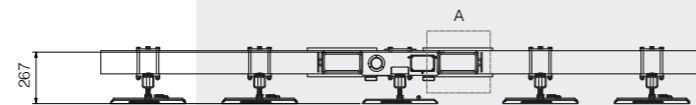
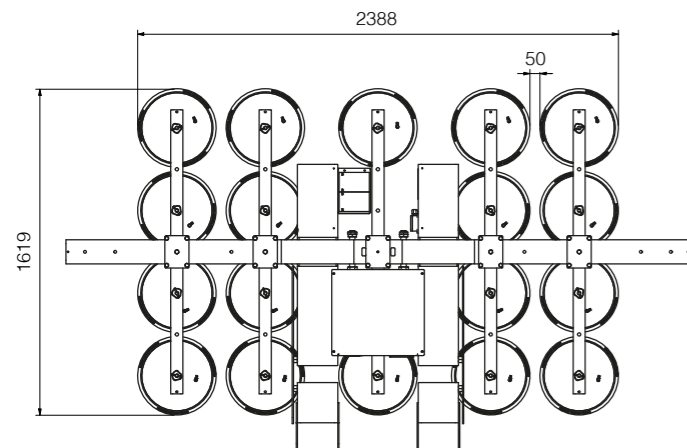
Kg max 4200

Pads		Lifting capacity kg	L mm	Arms		X (mm)			Y (mm)		Product code
nr.	Ø			nr.	mm	X1	min	max	min	max	
14	390	4200	4000	7	1330	1299	3139	4145	800	1580	F14B4200/4-4000/1270
				7	1330	1299	3139	5145	800	1580	F14B4200/4-5000/1270
				7	1330	1299	3139	6145	800	1580	F14B4200/4-6000/1270

Technical drawing



Models for Cantilever racks



Righetti offers a line of vacuum lifters specifically for handling sheet materials among the Cantilever racks. Featuring a forkable frame, these models must be employed on forklifts and other lifting means equipped with forks.

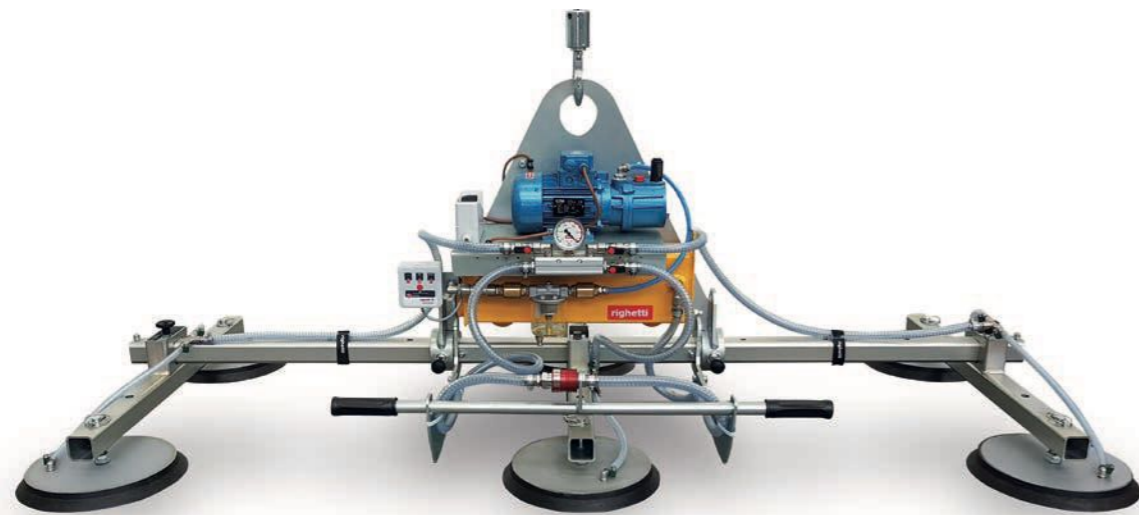
To ensure the highest level of freedom among the racks, the series is powered by high-capacity rechargeable batteries – therefore removing any potential obstructions caused by power cables. In addition, there is also a convenient remote suction and release control via wireless radio control.



Besides the several models with horizontally fixed frame, Righetti offers vacuum lifters with a 0-90° tilting system.

Vacuum lifters with a 0-90° tilting system allow the manual load inclination from horizontal to vertical and viceversa. Upon request, Righetti can design and manufacture models with the assisted tilting thanks to a pneumatic or electric tilting.

The operating system can be pneumatic, electric or battery-powered.



Vacuum lifter for sheet metal

with tilting mechanism



Electrically powered



Compressed air powered



Battery powered



0-90° tilting

Righetti
smart vacuum lifters

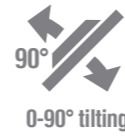
M4 400

Power supply



n° of pads

4



0-90° tilting



Vacuum lifter with 0 – 90° tilt system and lifting capacity 400kg, four vacuum pads on two cross-arms.
This lifter is available with three different operating systems: electric (400V or 220V), compressed air or battery.

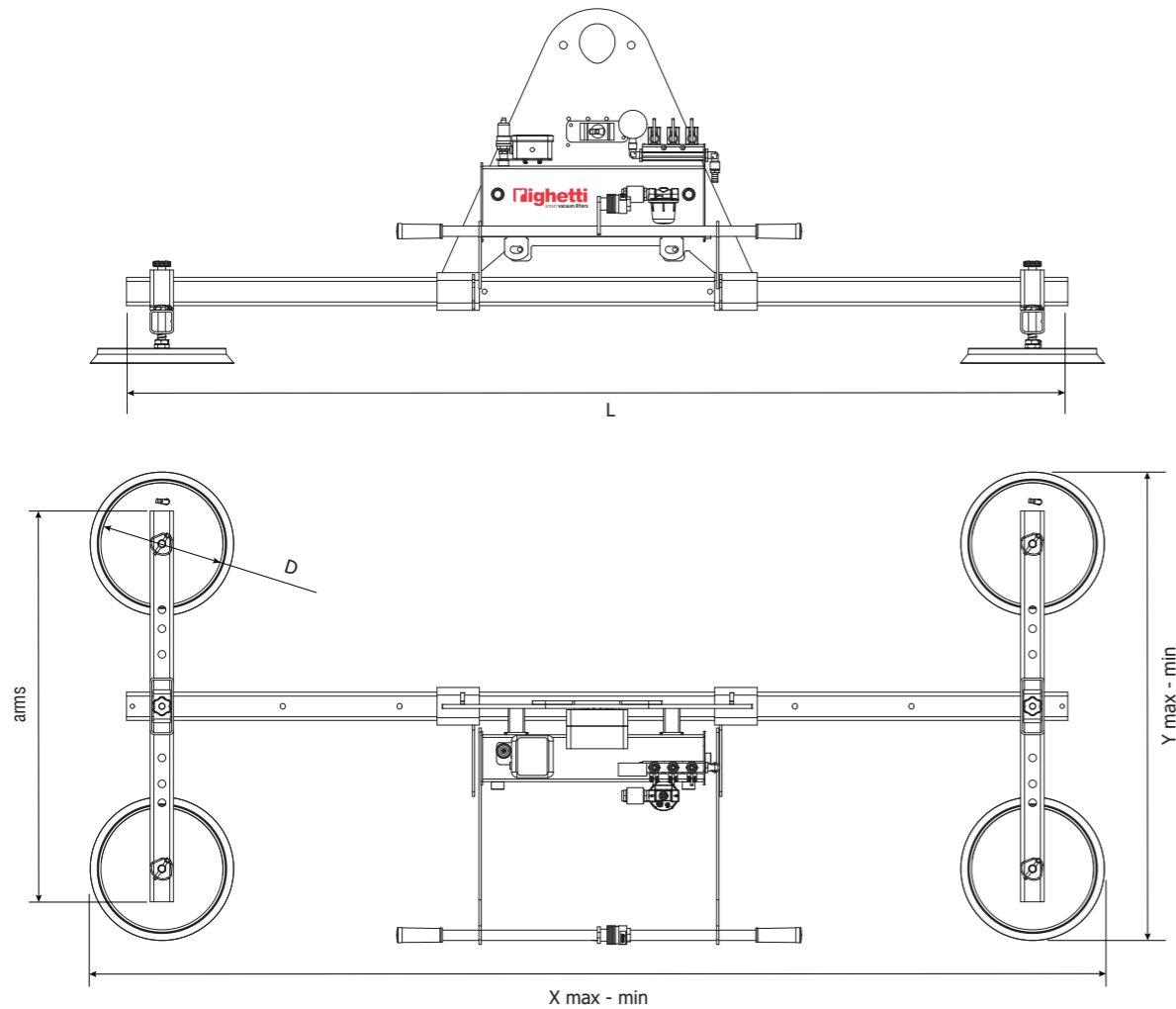
NOTE: this model is not suitable for handling oiled sheet metal.

Series M4 400

Kg max 400

Power supply	Pads		L mm	Arms		X (mm)		Y (mm)		Product code
	nr.	∅		nr.	mm	min	max	min	max	
Compressed air	4	310	1500	2	830	1100	1650	720	1000	M4A400/3-1500/750
Electric	4	310	1500	2	830	1100	1650	720	1000	M4EB400/3-1500/750
Battery	4	310	1500	2	830	1100	1650	720	1000	M4B400/3-1500/750

Technical drawing



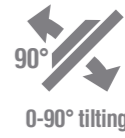
M6 600

Power supply



n° of pads

6



0-90° tilting



Vacuum lifter with 0 – 90° tilt system and lifting capacity 600kg, six vacuum pads on three cross-arms.
This lifter is available with three different operating systems: electric (400V or 220V), compressed air or battery.

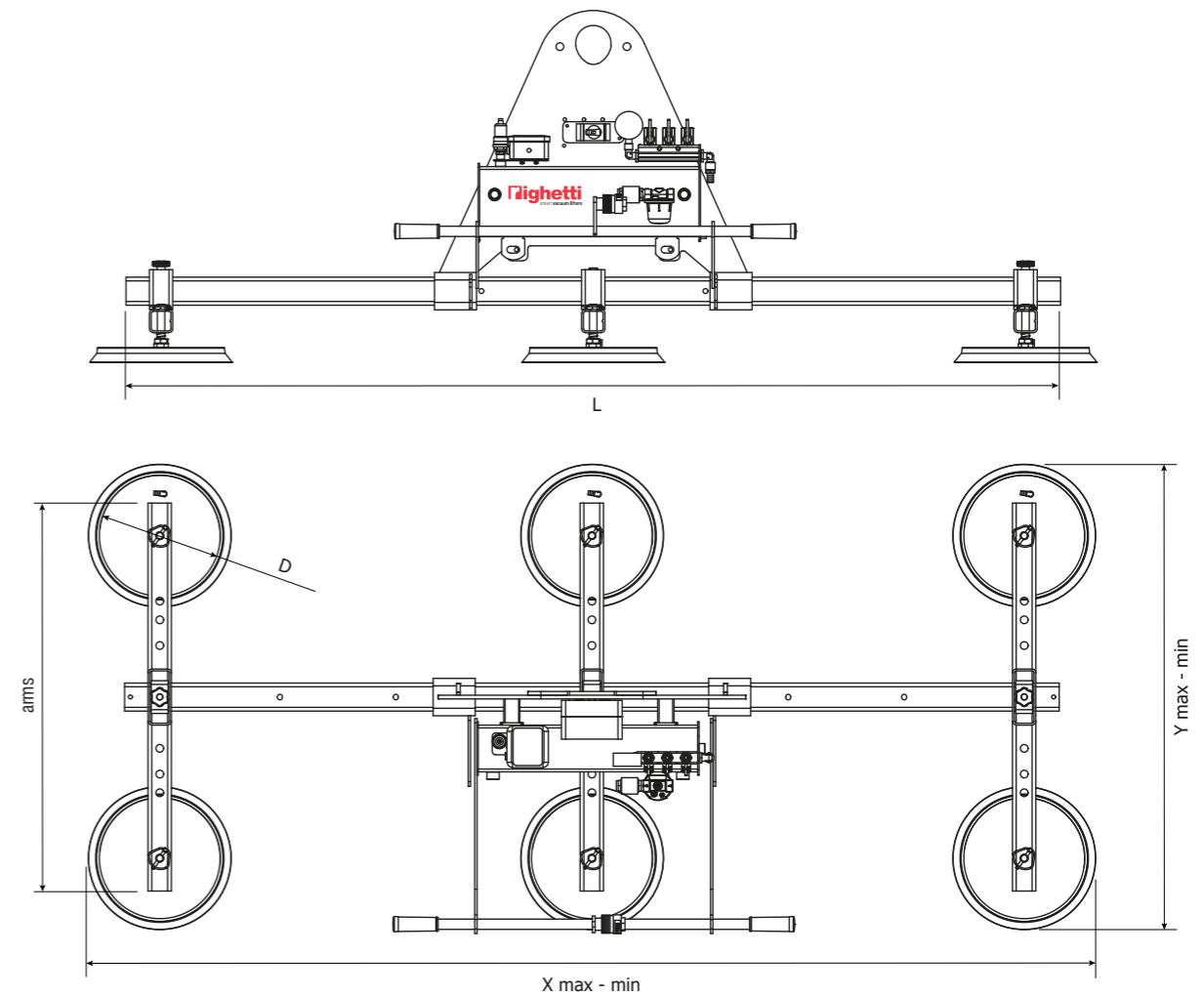
NOTE: this model is not suitable for handling oiled sheet metal.

Series M6 600

Kg max 600

Power supply	Pads		L mm	Arms		X (mm)		Y (mm)		Product code
	nr.	∅		nr.	mm	min	max	min	max	
Compressed air	6	310	2000	3	830	1100	2150	720	1000	M6A600/3-2000/750
Electric	6	310	2000	3	830	1100	2150	720	1000	M6EB600/3-2000/750
Battery	6	310	2000	3	830	1100	2150	720	1000	M6B600/3-2000/750


Technical drawing



M6 750

Power supply
AIR  

n° of pads
6


90°
0-90° tilting



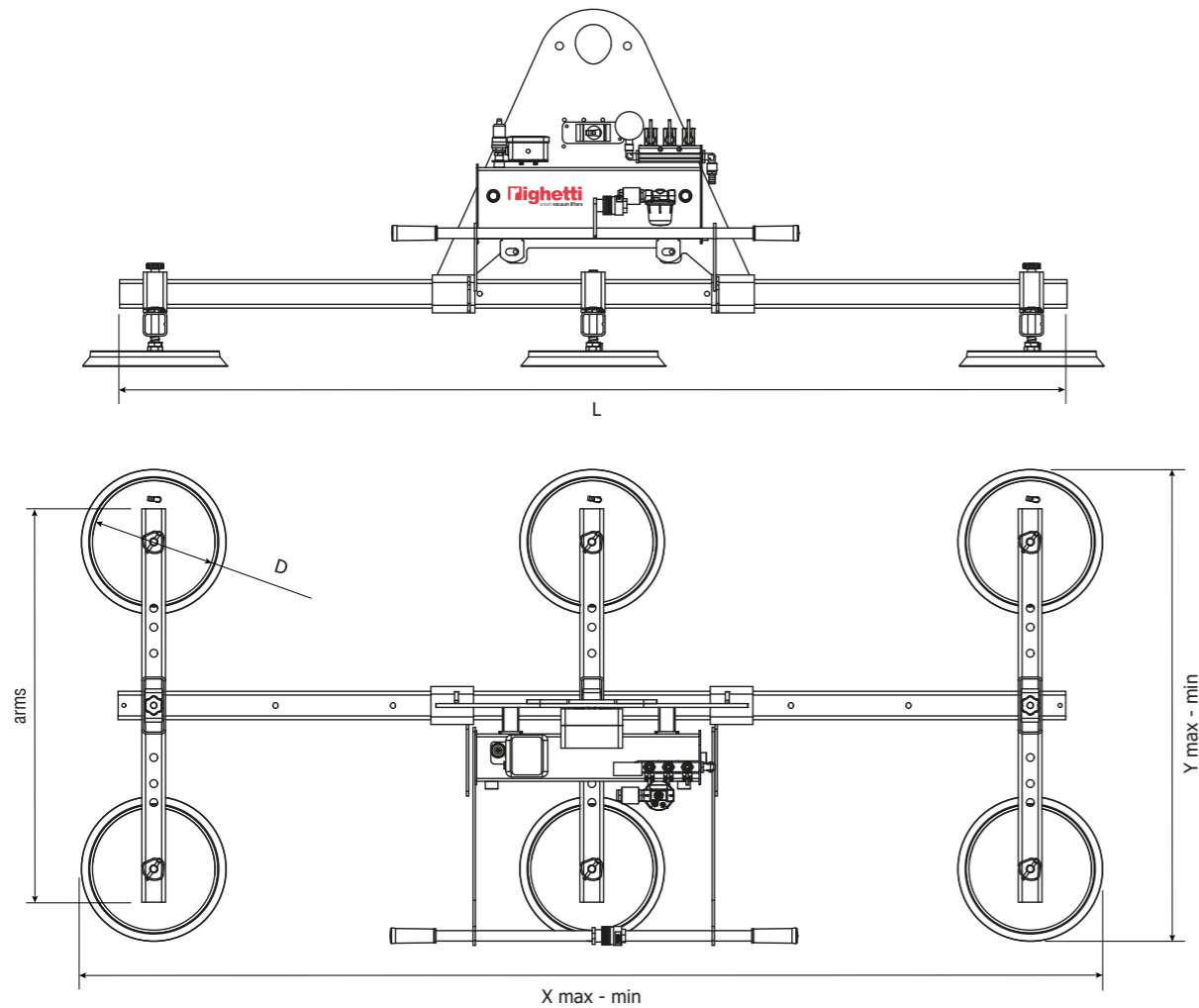
Vacuum lifter with 0 – 90° tilt system and lifting capacity 750kg, six vacuum pads on three repositionable cross-arms.
This lifter is available with three different operating systems: electric (400V or 220V), compressed air or battery.

Series M6 750

 **Kg max 750**

Power supply	Pads		L mm	Arms		X (mm)		Y (mm)		Product code
	nr.	∅		nr.	mm	min	max	min	max	
Compressed air	6	390	2000	3	830	1180	2230	800	1080	M6A750/4-2000/750
Electric	6	390	2000	3	830	1180	2230	800	1080	M6EB750/4-2000/750
Battery	6	390	2000	3	830	1180	2230	800	1080	M6B750/4-2000/750

Technical drawing




Righetti
smart vacuum lifters

M8 1000

Power supply
AIR  

n° of pads
8


90°
0-90° tilting

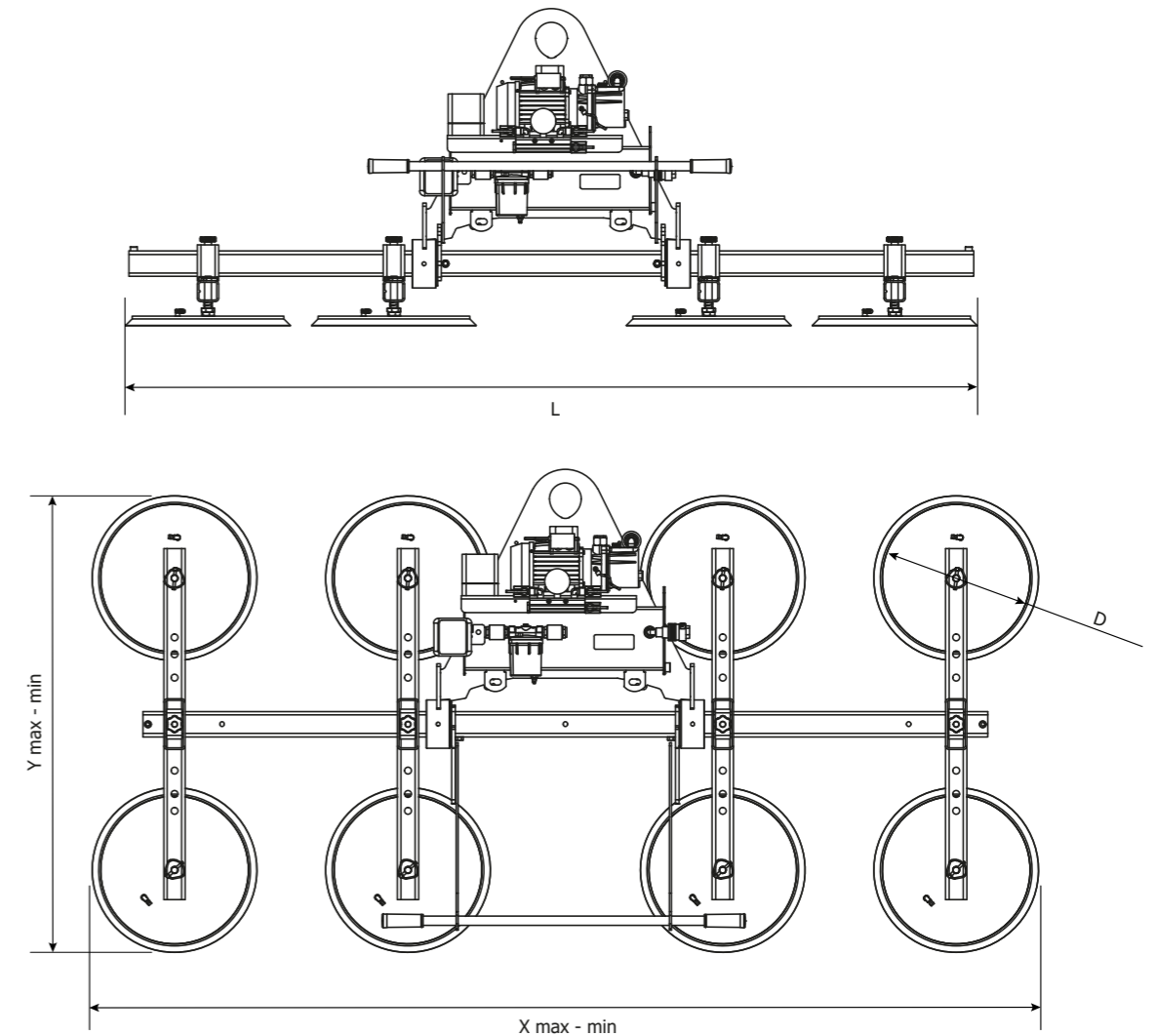
Vacuum lifter with 0 – 90° tilt system and lifting capacity 1000kg, eight vacuum pads on four cross-arms.
This lifter is available with three different operating systems: electric (400V or 220V), compressed air or battery.

Series M8 1000

 **Kg max 1000**

Power supply	Pads		L mm	Arms		X (mm)		Y (mm)		Product code
	nr.	∅		nr.	mm	min	max	min	max	
Compressed air	8	390	2000	4	830	1180	2230	800	1080	M8A1000/4-2000/750
Electric	8	390	2000	4	830	1180	2230	800	1080	M8EB1000/4-2000/750
Battery	8	390	2000	4	830	1180	2230	800	1080	M8B1000/4-2000/750

Technical drawing

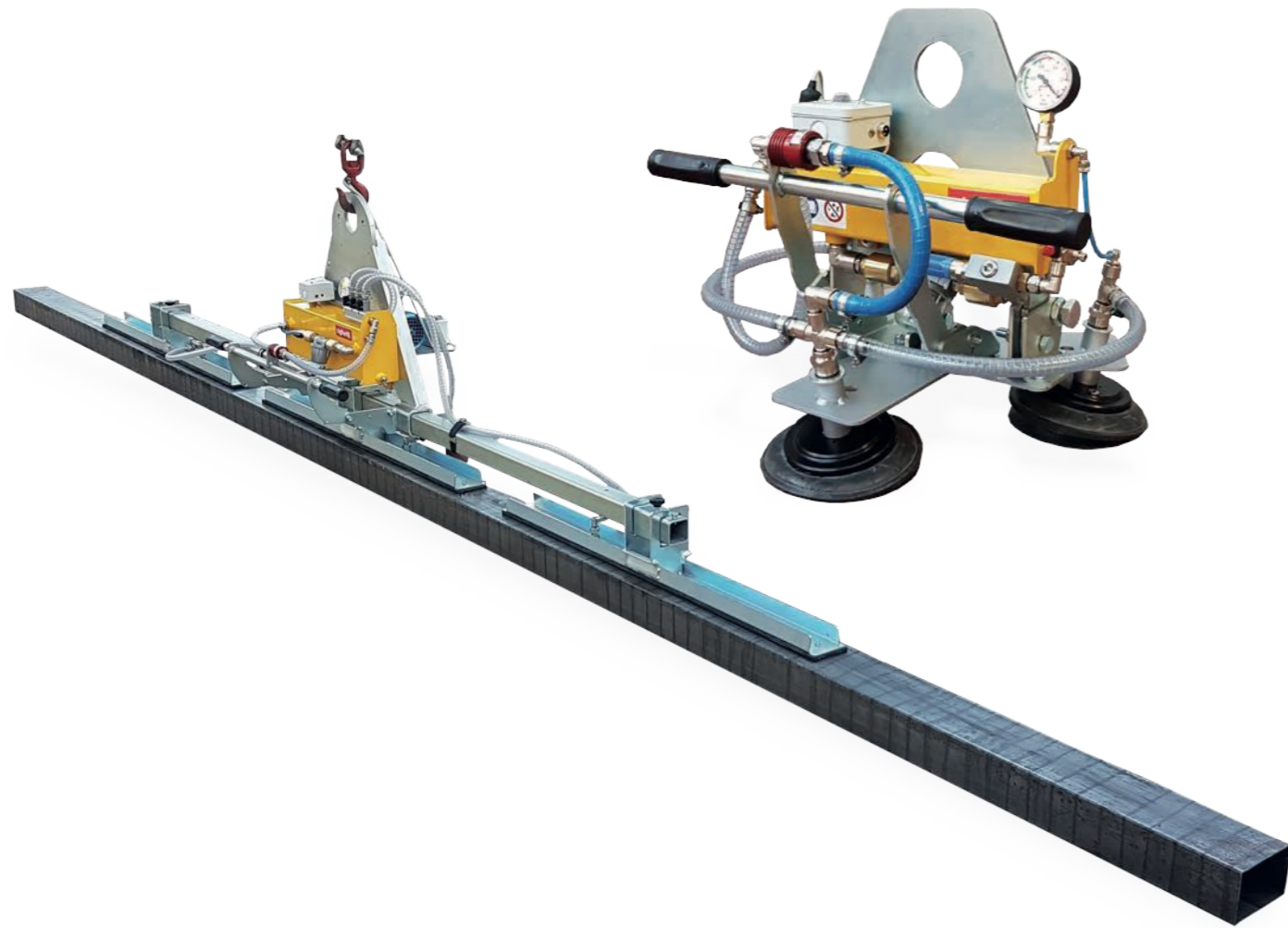


Righetti
smart vacuum lifters

Righetti designs vacuum lifters for lifting special metal loads, such as tanks, beams, coils, curved sheets, cylinders and other.

Any vacuum lifter can be customized - or completely designed from scratch - according to your needs thanks to the deep expertise of our R&D Department.

Vacuum lifters are helpful equipment in several working areas: our known-how, experience and creativity give us the mean to develop the right solution for your needs.



Vacuum lifter for sheet metal

special



Electrically powered



Compressed air powered



Battery powered

Righetti
smart vacuum lifters

FR6

Power supply



n° of pads

6



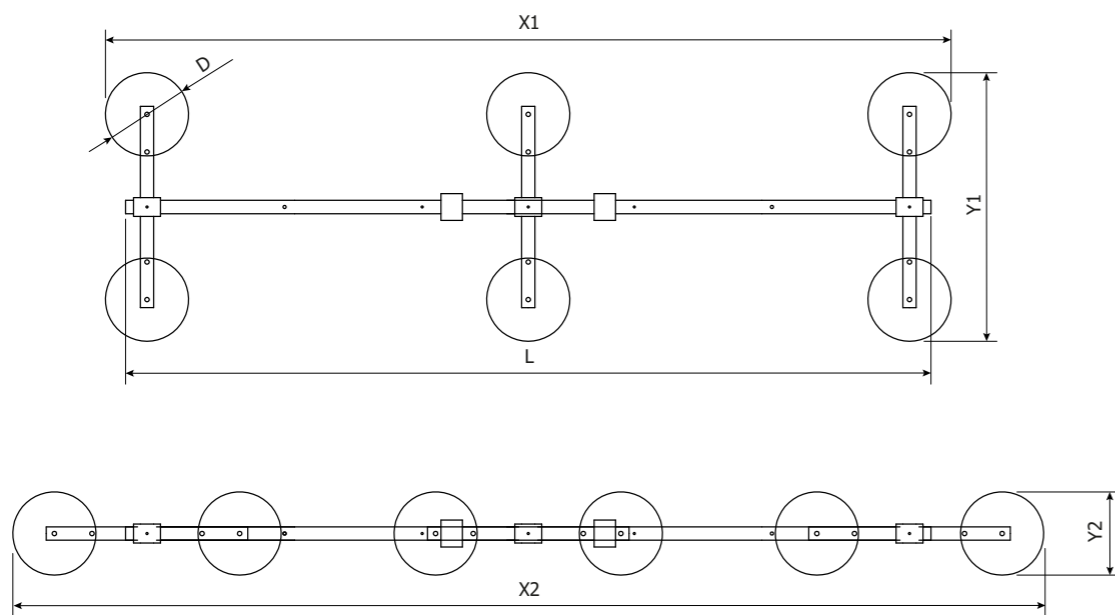
Vacuum lifter with fixed frame for horizontal lifting.
The cross-arms of the series FR can be turned of 90°, allowing to lift both big sheet metal and long and narrow loads.

Series FR6 1000

Kg max 1000

Power supply	Pads		L mm	Arms		X (mm)		Y (mm)		Product code
	nr.	∅		nr.	mm	X1	X2	Y1	Y2	
Compressed air	6	310	3000	3	830	3150	3840	1000/635	310	FR6A1000-3000/750
Electric	6	310	3000	3	830	3150	3840	1000/635	310	FR6EB1000-3000/750
Battery	6	310	3000	3	830	3150	3840	1000/635	310	FR6B1000-3000/750

Technical drawing



FR8

Power supply



n° of pads

8



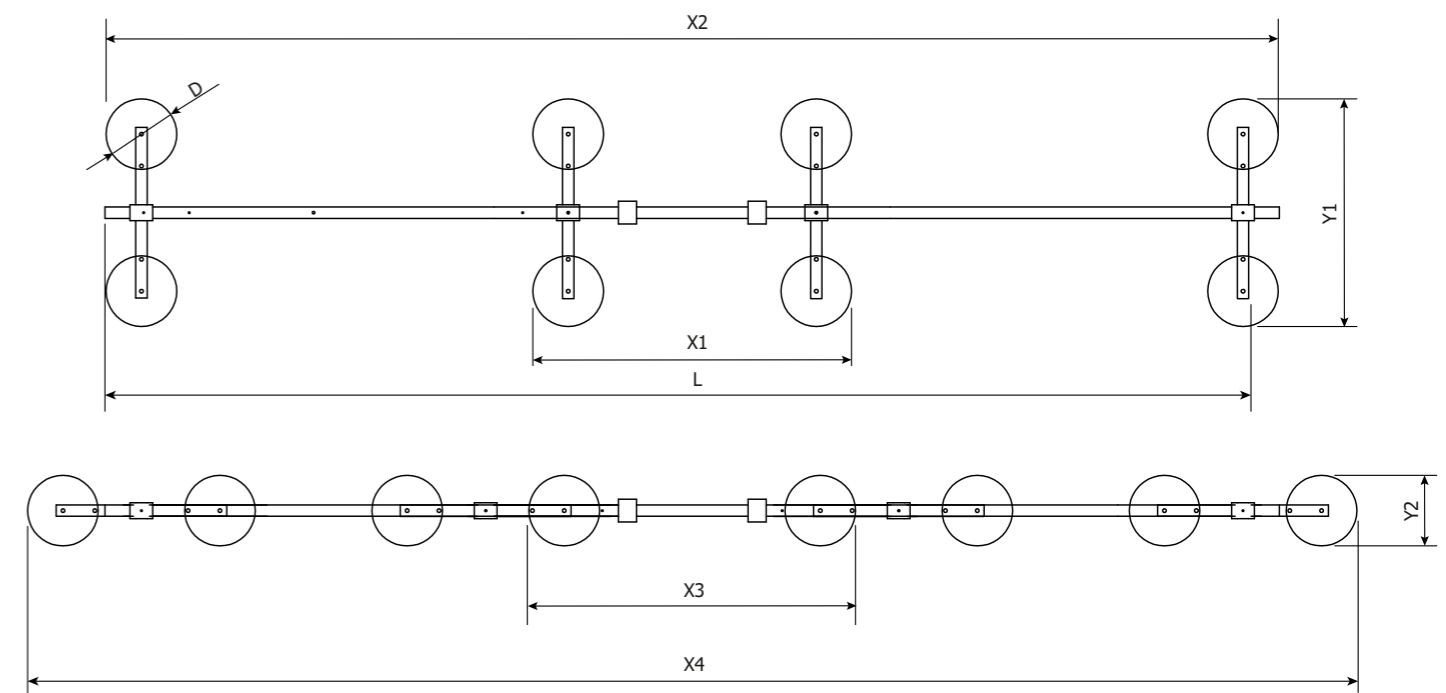
Vacuum lifter with fixed frame for horizontal lifting.
The cross-arms of the series FR can be turned of 90°, allowing to lift both big sheet metal and long and narrow loads.

Series FR8 1500

Kg max 1500

Power supply	Pads		L mm	Arms		X (mm)				Y (mm)		Product code
	nr.	∅		nr.	mm	X1	X2	X3	X4	Y1	Y2	
Compressed air	8	310	5000	4	830	1400/2125	5150	2815	5840	1000/635	310	FR8A1500-5000/750
Electric	8	310	5000	4	830	1400/2125	5150	2815	5840	1000/635	310	FR8EB1500-5000/750
Battery	8	310	5000	4	830	1400/2125	5150	2815	5840	1000/635	310	FR8B1500-5000/750

Technical drawing



BEAMS AND TUBES

Vacuum lifters specifically for handling tubes and beams made out of metal. Their long and narrow suction pads are designed to adapt to the load surface.

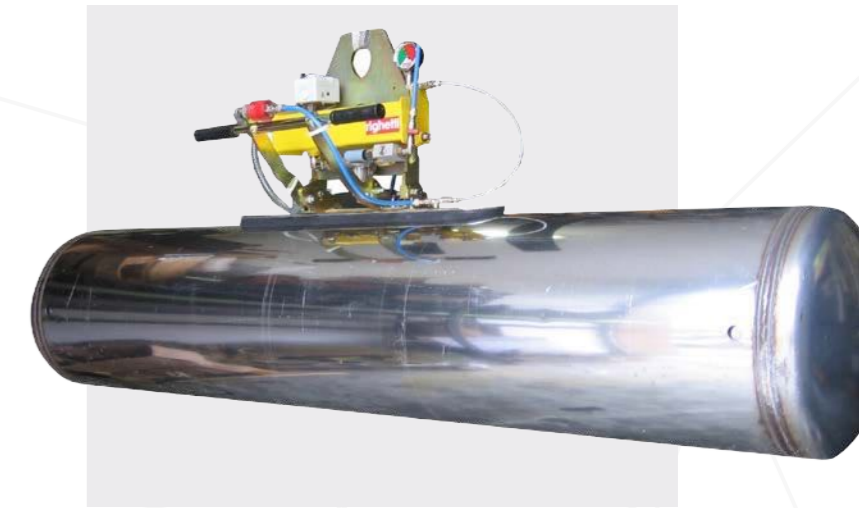
These models can be powered by electricity, compressed air and battery.



TANKS

Righetti has developed several models for simplifying the lifting of tanks, canisters, convex bottoms, cylinders and other materials with a domed shape.

Depending on the needs, the vacuum lifter can be equipped with a horizontally fixed frame or an assisted tilting. Also the operating system can be chosen between electric, pneumatic and battery options.



CURVED SHEET

For handling curved metal sheet, even of big sizes, we have designed a vacuum lifter with small round suction pads placed on two arms.

Thanks to adjustability of the arms, the suction pads can adapt to any curvature radius of the load.



COILS

For handling coils of various sizes, Righetti has created a solution with a tilting structure assisted by pneumatic cylinders.

This makes it possible to tilt coils from a horizontal to a vertical position and vice versa.



Accessories and Optional



Suction pads for irregular surfaces

Righetti has developed specific suction pads that allow the handling of sheet metal with irregular surfaces (such as almond-shaped, embossed or striped) thanks to their peculiar mouse.



Forkable frame

Handling sheet metal by using forklifts requires an add-on forkable frame. This optional is generally combined with a battery operating system to assure the highest freedom of movement.



Telescopic tiltable handle

For assuring a firm hold over the sheet metal in every situation, we can equip your vacuum lifter with a telescopic handle, which can be tilted upwards and downwards.



Radio remote control

Load suction and release of Righetti vacuum lifters can be controlled at a distance thanks to their wireless remote controls. This optional should be confirmed at the order, as it is not purchasable separately.

Technical information about the product

Power supplies

Vacuum lifters are available with **several power supplies**:

AIR COMPRESSED AIR
The lifter comes complete with the compressed air vacuum pump (Venturi), and silencer. It has to be hooked up to a compressor with a compressed air hose. The operating pressure is six bar.

POMPA DEL VUOTO ELETTRICA
In the "EB" line, the vacuum pump is installed on the vacuum lifter's structure. Choice of 400V three-phase or 220V monophase power. Other types of power by request. Unless otherwise stated, the production standard is 400V three-phase.

A BATTERIA
The models powered by rechargeable battery are your ideal option in settings and/or situations where it's hard to guarantee constant connection to the power grid.
The lifter comes complete with battery charger.

Portata

The standard capacities for vacuum lifters for sheet metal go from 250 to 7,000 kg.
Models with lower or higher capacity are also available on request.

Structure

The structure of the lifter for sheet metal is generally fixed horizontally.

Models with assisted or manual tilting are also available.

Suction pads

Regarding the size and consistency of the material to be handled, lifters are made out of four, six, or more suction pads.

The pads generally can be repositioned to better adapt the lifter's grip to the different sizes of material to be lifted.

The lifters have individual arm cut-off. Each arm has its own pad shutoff so that you can stop the flow of air and cut off the pad. We can arrange for the cut-off of each individual pad by request.

Safety

A series of components guarantees top grip safety.

To grip and release slabs you use a **double-action slide valve** with a safety that keeps it from being started on accident. The command can be run from a manual valve on the lifter's structure or with a button panel with electrical cord or a wireless remote control.

Using a **vacuometer with a color scale** installed on the vacuum circuit, you can constantly check the drop in pressure reached. Intervention of the safety device is regulated by a vacuum switch mounted on the vacuum tank.

A capacious vacuum tank, in addition to speeding up the grip, coupled with non-return valves guarantees that the load won't immediately be dropped when the power suddenly goes off, guaranteeing the safety of the operator and the material handled.

The lifter also has a self-powered **acoustic and visual alarm system** that warns the operator of any dangerous situations.

On battery-powered models, the vacuum's **control unit** monitors how much vacuum there is, checks the proper operation of the main parts, and monitors the battery level.

Two extra services

To support you on the job.
Because you're always on our mind.



RIGHETTI SERVICE: Don't stop your job. Simple, fast, concrete assistance.

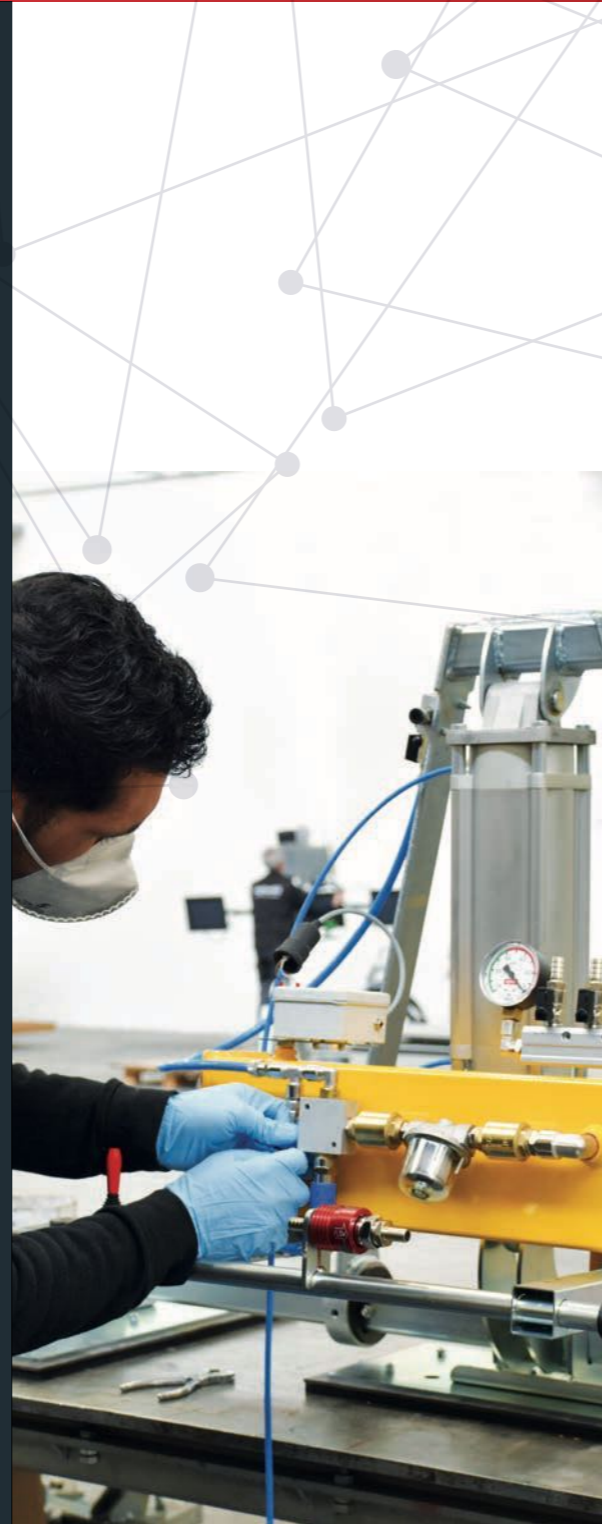
We also give continual assistance even remotely: we help you over the phone and/or in video calls, so that your job doesn't ever shut down. We stand by your side with rapid and precise assistance, provided directly by those who designed and built your lifter.

We'll also skilfully guide you in your selection of the accessories most suited to your needs to allow you to always work safely and be able to get the top tools.

If what you urgently need is a spare part, we guarantee record response time.

We do all this for you:

- over the phone assistance
- videoconference assistance
- direct contact with the person that assembled your lifter
- remote assistance for ordinary and extraordinary maintenance
- spare parts service



CUSTOMER CARE: what if you'll never be alone, wherever you are?

We know that during your job many questions can come up. Just like they can come up when choosing your lifter, or after having purchased it.

Your questions are important to us. Not only don't we want to miss them, but also we have created an ad hoc Customer Care. It will be available to answer any of your questions and needs, and you'll be able to get it anywhere: our website, social networks, by phone, or email. Wherever you are, we are there, too.





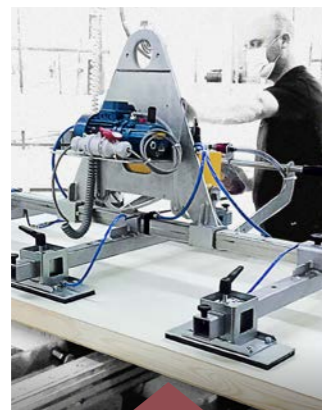
CLADDING



SHEET METAL



STONE



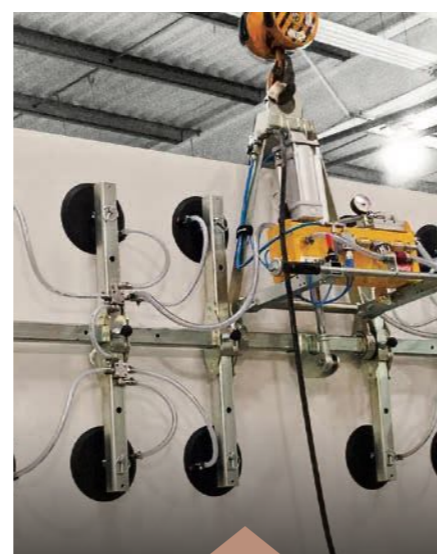
WOOD



GLASS



SPECIAL



CERAMIC

The only vacuum lifters
specialists for every application.
Especially yours.

Righetti
smart vacuum lifters



ITS

Righetti
smart vacuum lifters



SILCOM NORTH

www.silcomnorth.com hello@silcomnorth.com

Phone/Whatsapp +370 672216691 Goštauto 8, Vilnius 01108, Lithuania