

Vacuum lifter

Righetti Vacuum lifters SPECIALISTS
smart vacuum lifters

Series

F20EB 5500

 Kg max
5500

 Power supply
Electricity



The Vacuum Lifter for sheet metal F20EB is a model with **electric operating system** 400V three-phase or 220V single-phase. The model F20EB 5500 has a maximum capacity of 5500 kg, it has a cross-beam which can be made with different lengths, on standard models L4000 mm, L5000 mm or L6000mm and it has 20 suction pads distributed on 5 arms. The pads, equipped with springs, are specific for sheet metal made in **special oil-resistant vulcanized rubber**.

The adjustment of the position of the plates and arms, together with the possibility of **using only the central pads**, allows to adapt the lifter to the different formats of the metal sheets to be lifted. The F20EB 5500 model has a steel reinforced structure and a horizontal fixed frame.



Horizontal lifting



20 suction pads d.390 mm



Safety devices



Capacity 5500Kg



Reinforced structure



Horizontal lifting

For standard sizes:

3 x 1,5 m ✓

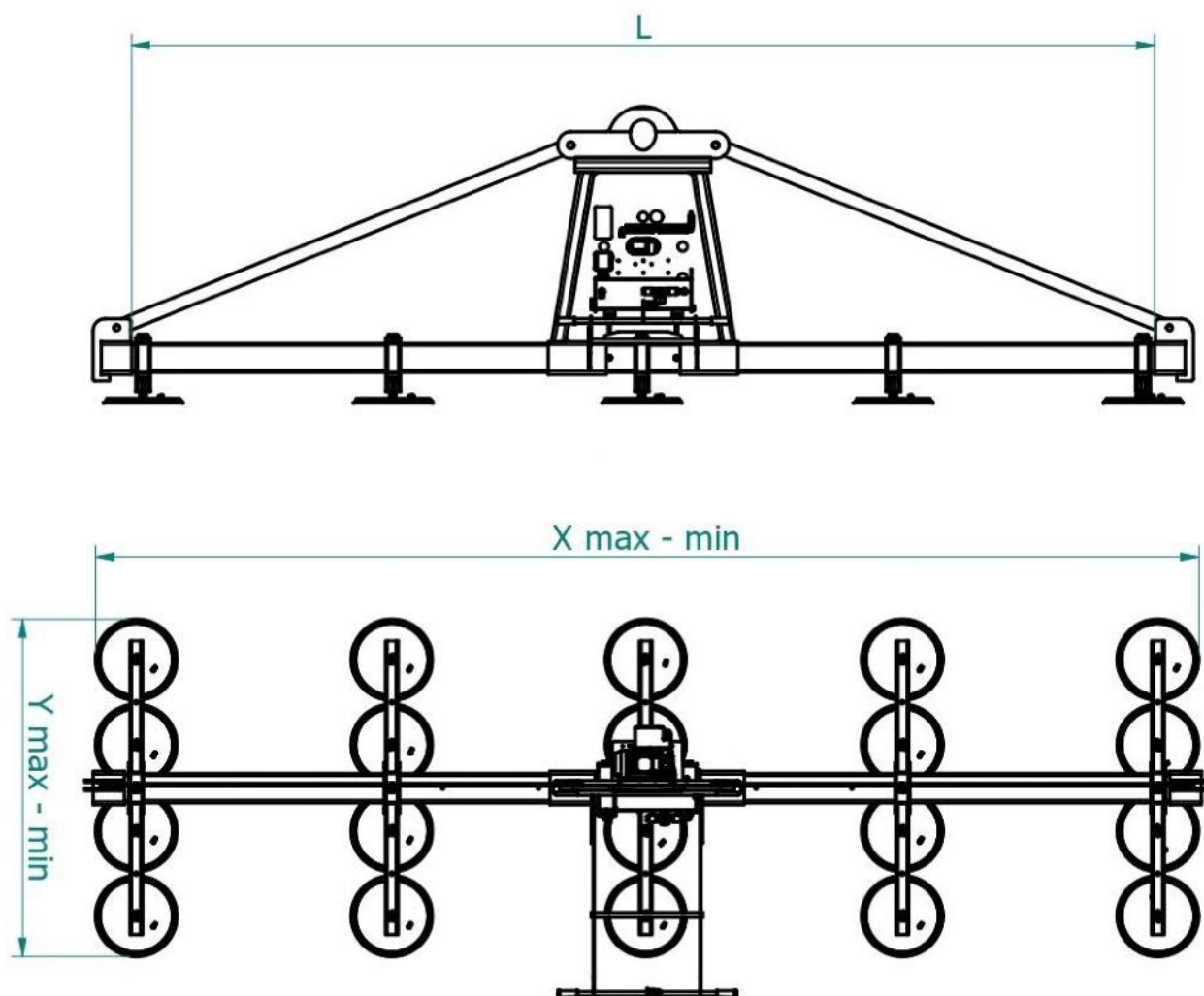
4 x 2 m ✓

6 x 2,5 m ✓

Technical specification

Application	Metal sheet, stainless steel, aluminum, plastic panels
Lifting capacity	5500 Kg
Suction pads	Nr. 20 vacuum pads d. 390 mm
Frame	Steel frame structure fixed in horizontal position Lowered below the hook height The suction pads are distributed on cross arms Adjustable position of suction pads and of cross arms
Operating system	Electric 400V 3 phase 50Hz or 220V 1 phase 50Hz
Vacuum system	Vacuum circuit with vacuum reservoir, non-return valve, vacuum filter
Safety systems	Vacuum gauge with colored scale Audio visual low vacuum warning powered independently and with back up battery
Weight of lifter	Depends on the configuration
Command	Suction and release by slide valve command with safety system

Technical drawing



Series F20EB 5500

 **Kg max 5500**

Pads		Capacity kg	L mm	Arms		X (mm)		Y (mm)	Product code
nr.	Ø			nr.	mm	X1	X		
20	390	5500	4000	5	1410	2360	4300	1620	F20EB5500/4-4000
			5000	5	1410	2360	5300	1620	F20EB5500/4-5000
			6000	5	1410	2360	6300	1620	F20EB5500/4-6000