

## Vacuum lifter

**Righetti** Vacuum lifters SPECIALISTS  
smart vacuum lifters

Model

FS4B 250

 Kg max  
250

 Power supply  
Batteries


The sheet metal vacuum lifter FS4B is battery powered by high capacity rechargeable batteries (battery charger is included). FS4B has a maximum capacity of 250 kg and **4 suction pads** distributed on 2 cross-arms. The pads, equipped with springs, are made of **special oil-resistant vulcanized rubber**, specific for sheet metal.

A special feature of the FS4 model is its lowered structure which significantly reduces the height below the hook. Adjusting the position of the pads and arms allows you to **adapt the vacuum lifter to the different sizes and shapes** of the sheets metal. The FS4B 250 model has a **steel reinforced supporting structure** and a horizontal fixed frame.



Horizontal lifting



4 suction pads d. 200 mm



Safety devices




Capacity 250Kg



Lowered structure

Available also with  
capacity 500kg

For standard sizes:

3 x 1,5 m 4 x 2 m 6 x 2,5 m 

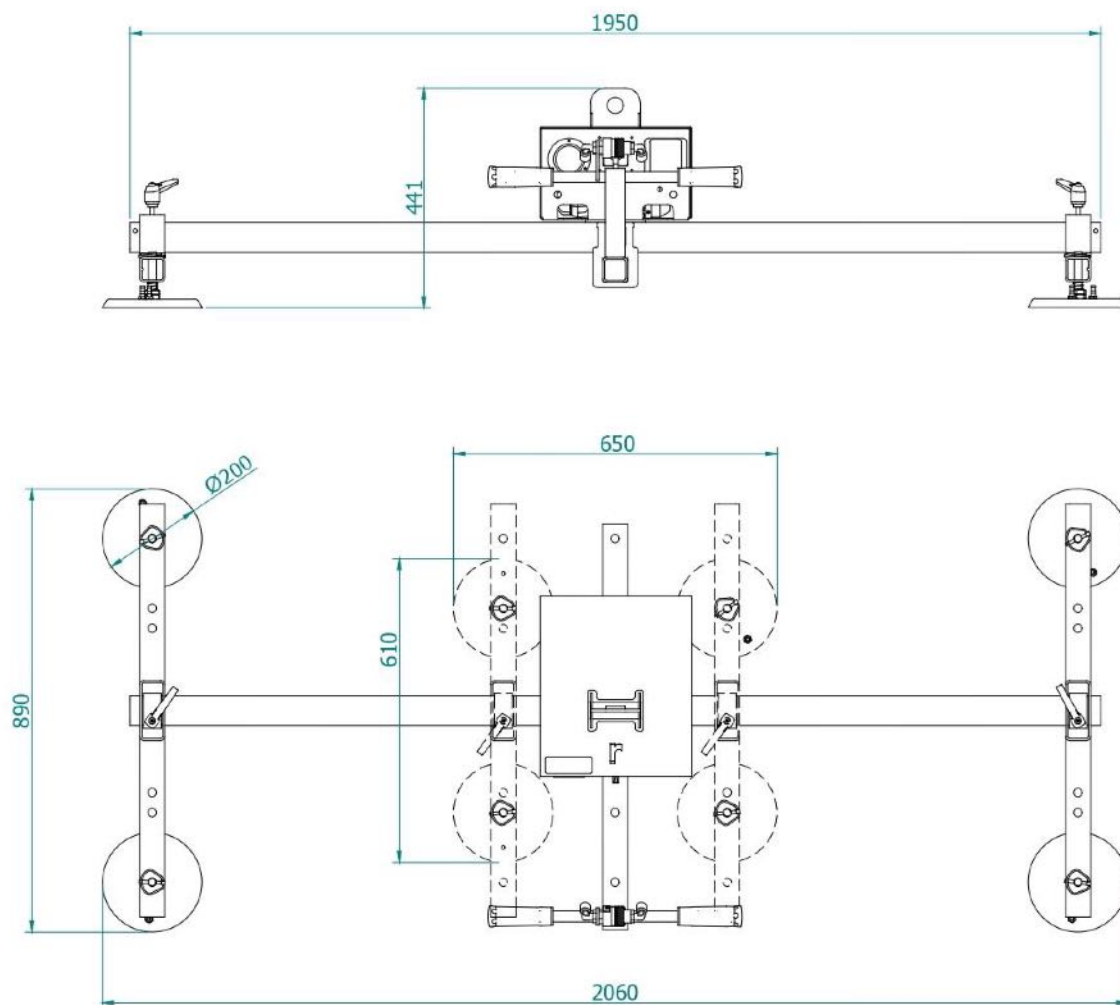
## Technical specification

Application	Metal sheet, stainless steel, aluminium, plastic panels
Lifting capacity	250 kg
Suction pads	Nr. 4 vacuum pads d. 200 mm
Frame	Steel frame structure fixed in horizontal position The suction pads are distributed on 2 cross arms Adjustable position of suction pads and of cross arms
Operating system	Battery operating system DC vacuum pump powered from on-board batteries High capacity re-chargeable batteries, battery status indicator Economizer for reduction of the energy consumption
Vacuum system Safety systems	Vacuum circuit with vacuum reservoir, non-return valve, vacuum filter Vacuum gauge with colored scale Audio visual low vacuum warning powered independently and with back up battery
Weight of lifter	Kg 54
Command	Suction and release by slide valve command with safety system
Optional	Radio remote control (for suction and release at a distance)

CE

made in  
ITALY

### Technical drawing



### Model FS4B

 **Kg max 250**

Pads		Capacity	Crossbeam	Arms		X (mm)		Y (mm)		Product code
nr.	Ø	kg	mm	nr.	mm	min	max	min	max	
4	200	250	1950	2	830	650	2060	610	890	FS4B 250