

Vacuum lifter



Model

FS6EB 500

 Kg max
500

 Power supply
Electricity


The Vacuum Lifter for sheet metal **FS6 EB 500** is an electric powered model. It is possible to choose between 400V three-phase or 220V single-phase. The pads, equipped with springs, are made of **special oil-resistant vulcanized rubber**, specific for sheet metal.

A special feature of the FS6 model is its **lowered structure** which significantly reduces the height below the hook. Horizontal fixed steel frame, 6 suction cups positioned on 3 arms and the arms can be **freely moved** along the crossbeam to adapt to different sheet sizes, make the FS6 lifter an excellent tool for handling sheets metal.

The FS6 model is particularly suitable for **loading sheet metal on laser cutting**.



Horizontal lifting



6 suction pads d.200 mm



Safety devices



Capacity 500Kg



Lowered structure

Available also with
4 pads – capacity 250kg

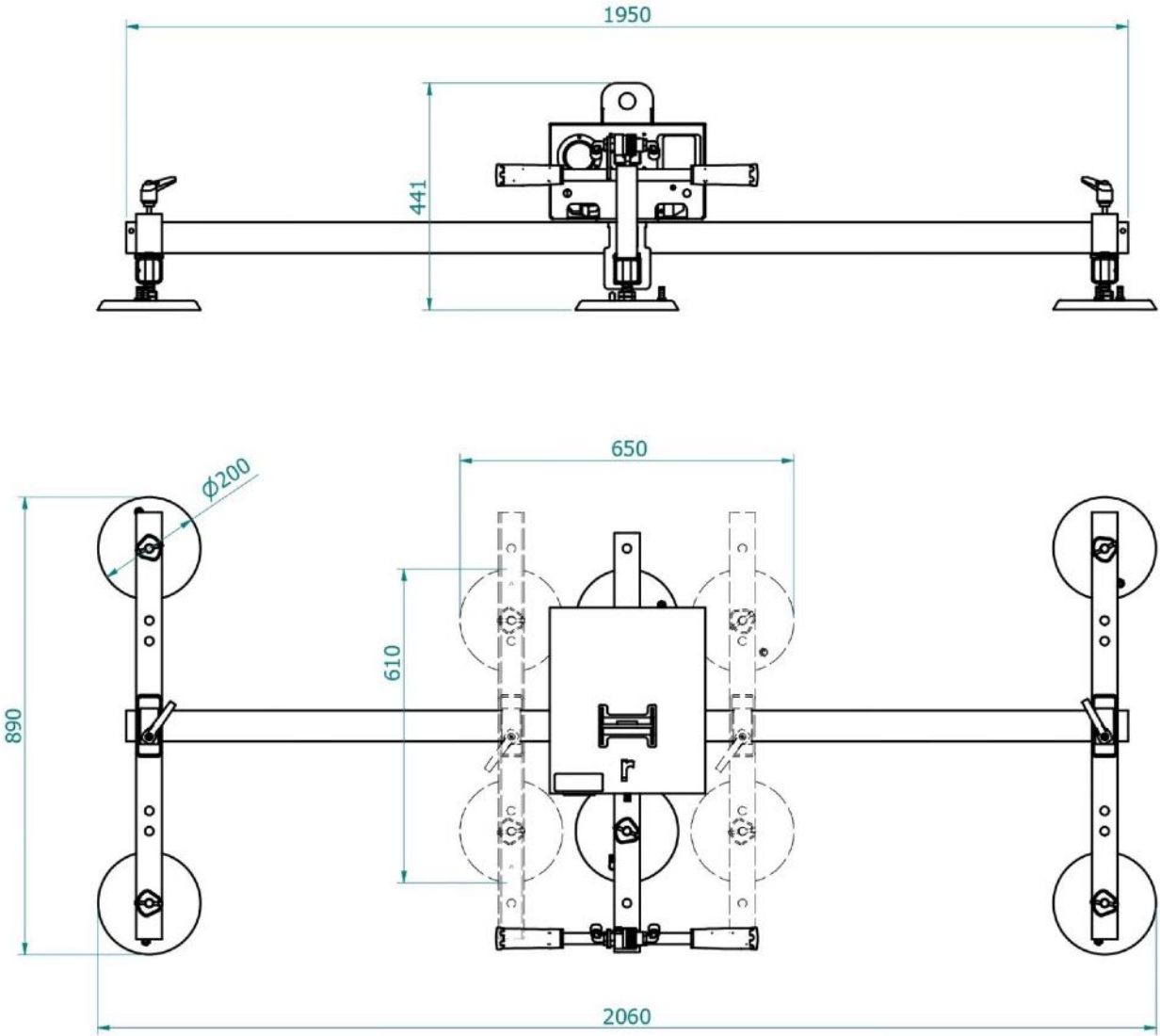
For standard sizes:

3 x 1,5 m 4 x 2 m 6 x 2,5 m 

Technical specification

Application	Metal sheet, stainless steel, aluminum, plastic panels
Lifting capacity	500 Kg
Suction pads	Nr. 6 vacuum pads d. 200 mm
Frame	Steel frame structure fixed in horizontal position Lowered below the hook height The suction pads are distributed on cross arms Adjustable position of suction pads and of cross arms
Operating system	Electric 400V 3 phase 50Hz or 220V 1 phase 50Hz
Vacuum system	Vacuum circuit with vacuum reservoir, non-return valve, vacuum filter
Safety systems	Vacuum gauge with colored scale Audio visual low vacuum warning powered independently and with back up battery
Weight of lifter	59 Kg
Command	Suction and release by slide valve command with safety system

Technical drawing



Model FS6EB 500

 **Kg max 500**

Pads		Capacity	L	Arms		X (mm)		Y (mm)		Product code
nr.	∅	kg	mm	nr.	mm	min	max	min	max	
6	200	500	1950	3	830	650	2060	610	890	FS6EB 500