

Series

M3A-K

Kitchen top vacuum lifter

 Kg max
330

AIR Power supply
Compressed Air


The M3A-K series is a range of vacuum lifters **specific for kitchen tops** with lifting capacity up to 330 kg. This lifter is powered by compressed air. The **manual tilting system** allows an assisted movement of the load from vertical to horizontal and vice versa. Equipped with an on-off sliding valve against the involuntary release of the load. The vacuum gauge with coloured scale installed on the vacuum circuit allows constant control of the vacuum level reached in the circuit itself.

Equipped with an **audio-visual alarm** control unit that warns the operator of possible dangerous situations. Present a **filtering system for dust and condensation**. The vacuum tank accelerates the gripping and together with the non-return valve, ensures that the load is not immediately released if there is a sudden power failure.



Horizontal lifting



3 suction pads



Vertical lifting



Max capacity 330 kg



Manual tilt 0-90°



Safety devices

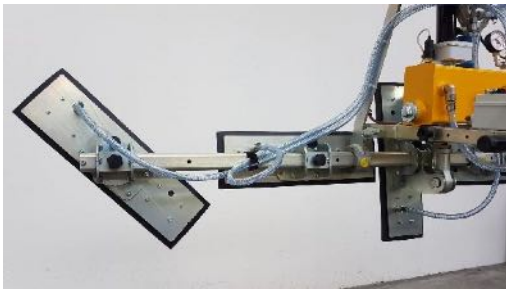


Technical specification

| | |
|--------------------------|--|
| Application | Not porous stones and materials |
| Lifting capacity | 270 kg on model M3A270K 330 kg on model M3A330K |
| Suction pads | Nr. 3 rectangular suction pads mm 480x180 on model M3A270K mm 580x180 on model M3A330K |
| Load movement | 0 – 90° manual tilt |
| Operating system | Compressed air |
| Vacuum system | Vacuum circuit, complete of vacuum reserve and non return valve |
| Control | Manual valve on the lifter's frame Release of the load by dual action security command |
| Standard features | Lifting beam L. 2200 mm On-off double sliding valve with safety Audible and visual low vacuum warning devices Vacuum gauge with colored scale, vacuum filter, non return valves |
| Optional | White gaskets Holder for hoist command Turnable pads 90° |

Kitchen top vacuum lifter

Optional

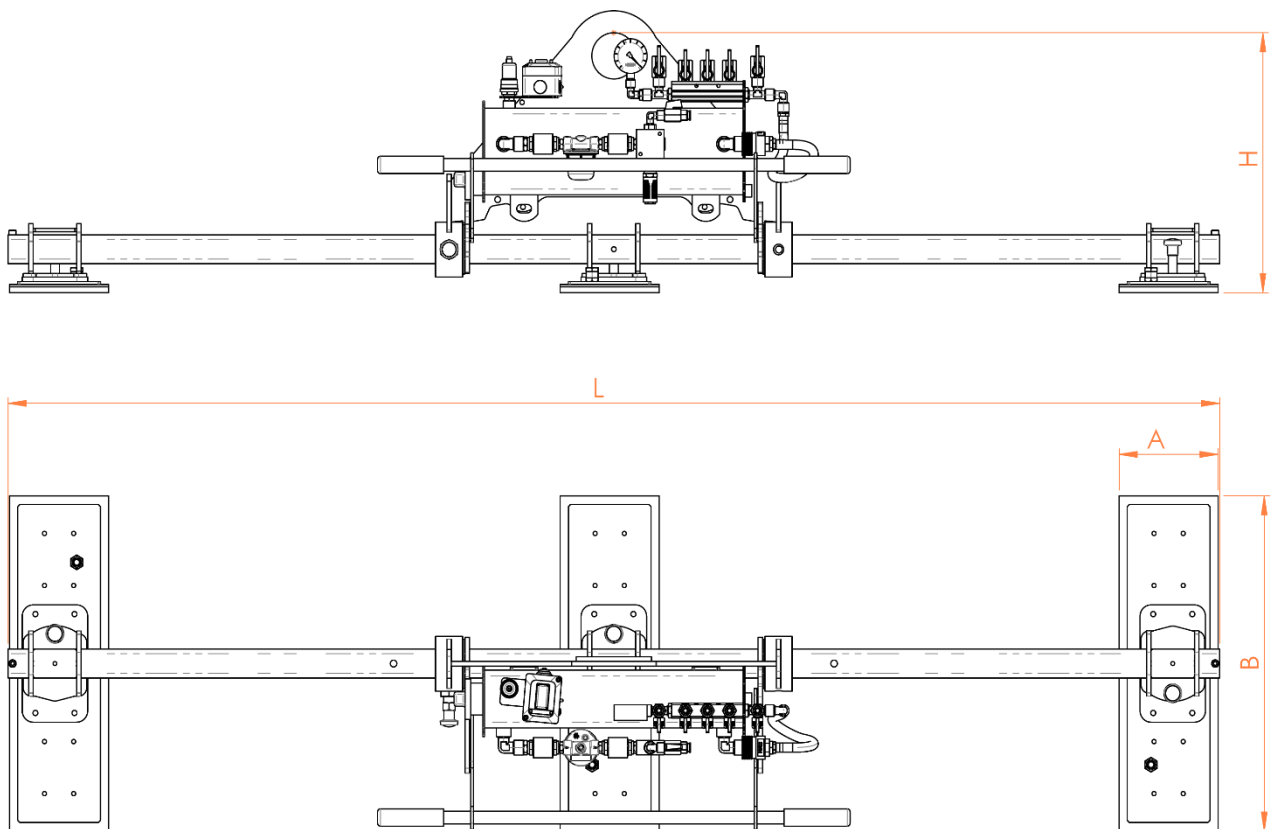


Support for quick rotation of the pads



White gaskets

Technical drawing



Series -M3A-K

 **Kg max 330**

| Product code | Lifting capacity Kg | A mm | B mm | L mm | H mm |
|--------------|------------------------|---------|---------|---------|---------|
| M3A270K | 270 | 180 | 480 | 2200 | 450 |
| M3A330K | 330 | 180 | 580 | 2200 | 450 |