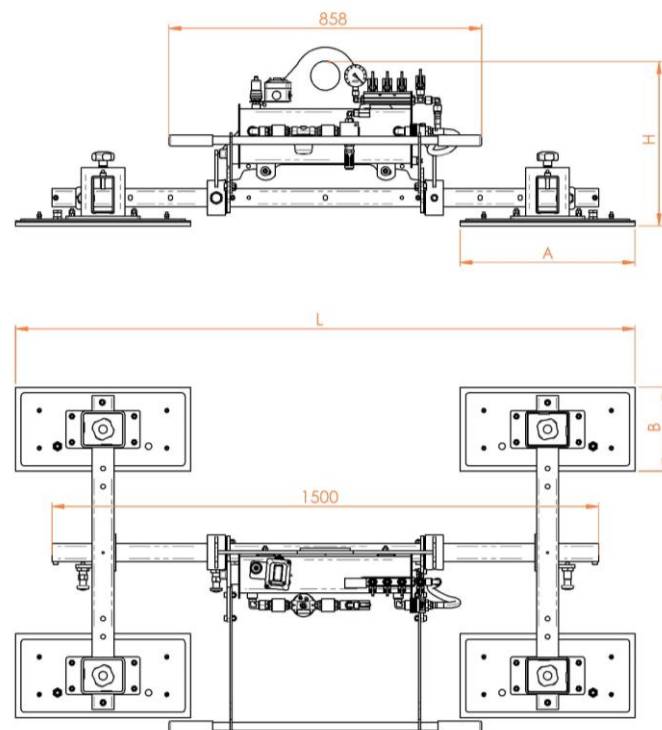


Vacuum Stone Lifter serie M4EB

Technical specification

Application	Not porous stones
Lifting capacity	Up to 2000 kg
Suction pads	No. 4 rectangular suction pads
Load movement	0-90° manual tilt
Operating system	Electric vacuum pump 220V 1ph – 400V 3ph
Vacuum system	Vacuum circuit, complete of vacuum reserve and non return valve
Weight of lifter	Depends on the configuration
Control	Manual valve on the lifter's frame release of the load by dual action security command
Standard features	On-off double sliding valve with safety Audible and visual low vacuum warning devices Vacuum gauge with colored scale



SILCOMNORTH UAB

www.silcomnorth.com

hello@silcomnorth.com

Phone +370 67216691

Antakalnio g. 17, Vilnius 10312, Lithuania

- electric on board vacuum pump
- 4 suction pads
- manual 90° tilt
- lifting capacity up to 2.000 kg
- Low vacuum warning device

Available models

Product code	Lifting capacity	A	B
M4EB 500	500	480	230
M4EB 1000	1000	480	330
M4EB 1500	1500	630	330
M4EB 2000	2000	630	430

