

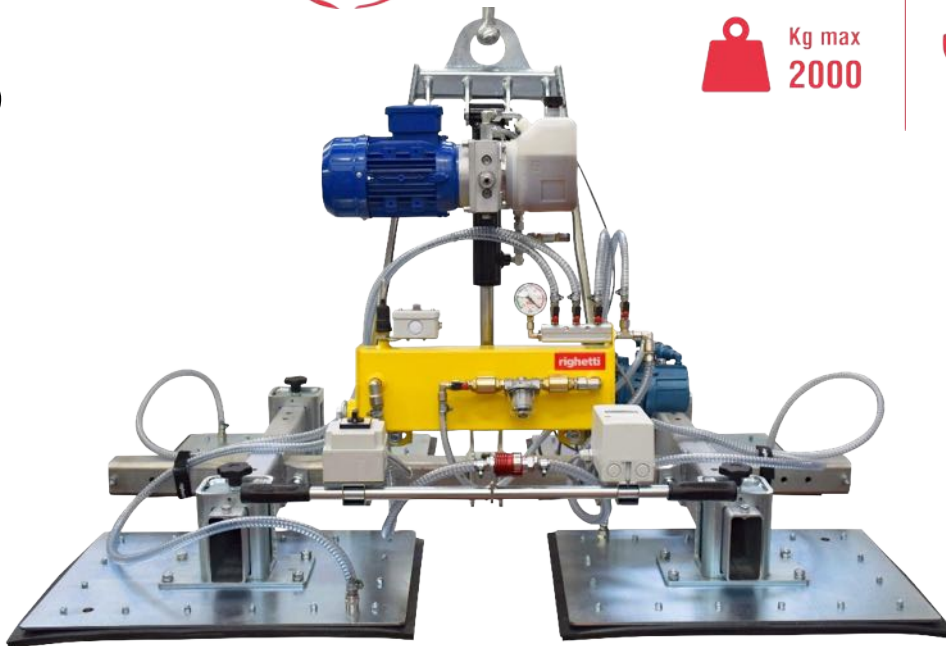
Righetti

Vacuum lifters
SPECIALISTS

Series
04EB

smart vacuum lifters

Vacuum lifter



The 04EB is a series of Vacuum Lifters which contains a wide range of 4-plate models with **capacities ranging from 500 kg to 2000 kg**. The 04EB series is electric powered and it can be produced with voltage 220V 1phase or 400V 3phases. The oil **hydraulic tilting** system allows a powered vertical – horizontal movement and vice versa; controlled by an electric switch, placed on the lifter's handle.

Equipped with an **audio-visual alarm control** unit that warns the operator of possible dangerous situations. The vacuum gauge with coloured scale allows constant control of the vacuum level reached. Present a **filtering system** for dust and condensation.



Horizontal lifting



4 suction pads



Vertical lifting



Max capacity 2000 kg



Hydraulic tilt 0-90°



Safety devices

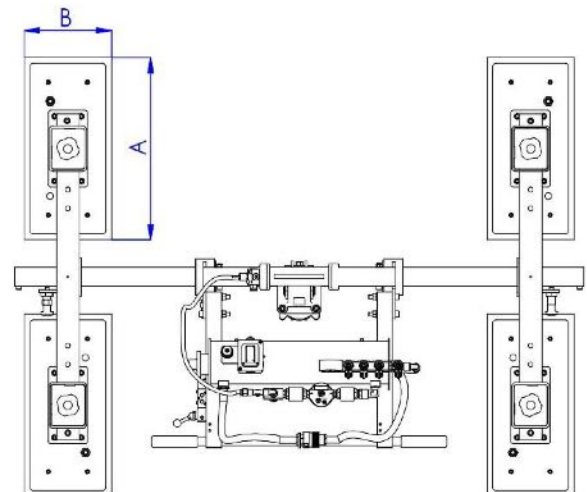
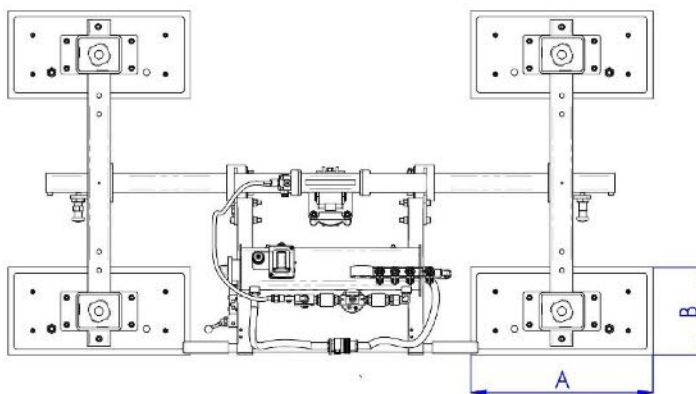
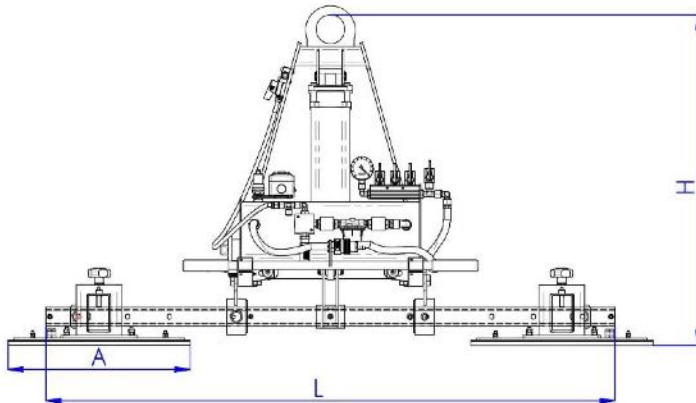
CE

made in
ITALY

Technical specification

Application	Slabs of marble, granite, quartz. Not porous materials
Lifting capacity	Models up to 2000 kg
Suction pads	Nr. 4 suction pads
Load movement	Hydraulic tilt 0-90°
Operating system	Electric vacuum pump 220V 1 ph or 400 3ph - 50Hz
Vacuum system	Vacuum circuit, complete of vacuum reserve and non return valve
Control	Manual valve on the lifter's frame Release of the load by dual action security command
Standard features	On-off double sliding valve with safety Audible and visual low vacuum warning devices Vacuum gauge with colored scale, vacuum filter, non return valves
Optional	White gaskets Holder for hoist command

Technical drawing



Series 04EB

 **Kg max 2000**

Product code	Lifting capacity kg	Pad dimension A x B mm	H mm
04EB 500	500	480 x 230	960
04EB 1000	1000	480 x 330	960
04EB 1500	1500	630 x 330	960
04EB 2000	2000	630 x 430	960

*L = 1500mm. On request different lengths of the cross-beam.

SILCOM NORTH

www.silcomnorth.com hello@silcomnorth.com
Phone/Whatsapp +370 672216691 Goštauto 8, Vilnius 01108, Lithuania

Righetti Vacuum Lifters Specialists