

Vacuum lifter

Righetti Vacuum lifters SPECIALISTS
smart vacuum lifters

Series
P3A

 Kg max
2000

AIR Power supply
Compressed Air



The P3A series of Vacuum Lifters is a range of 3-pads models with lifting capacity **from 375 kg to 2000 kg**. The P3A series is powered by compressed air. The **pneumatic tilting system** allows an assisted movement vertical – horizontal of the load and vice versa. The maximum capacity of the lifter depends on the dimension of the suction plates.

Thanks to the individual pads shut-off, activated through a tap placed on the lifter frame, **it's possible to use only the central pad** to lift even smaller pieces or semifinished products. Equipped with an **audio-visual alarm** control unit that warns the operator of possible dangerous situations. The vacuum gauge with coloured scale allows constant control of the vacuum level reached. Present a **filtering system for dust and condensation**.



Horizontal lifting

✓ 3 suction pads



Vertical lifting

✓ Max capacity 2000 kg



Pneumatic tilt 0-90°

✓ Safety devices

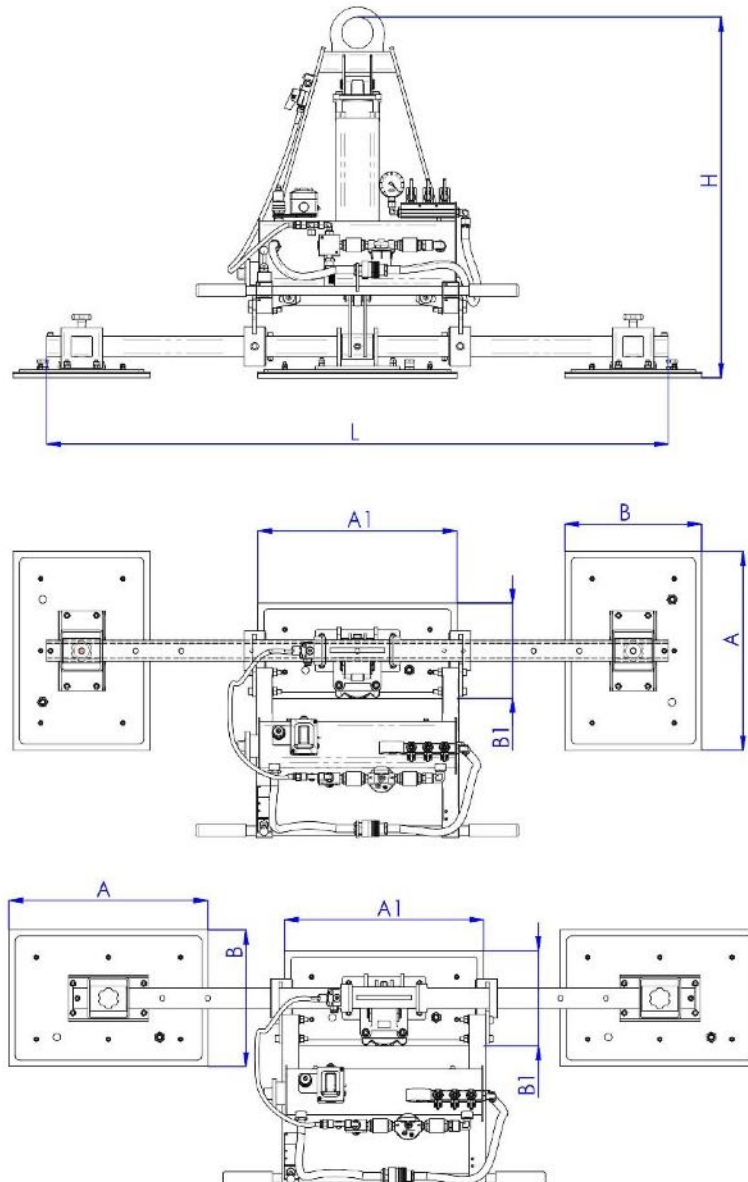
CE

made in
ITALY

Technical specification

Application	Not porous materials
Lifting capacity	Models up to 2000 kg
Suction pads	Nr. 3 suction pads
Load movement	Powered tilt 0-90° ; control of tilting system by joystick command
Operating system	Compressed air
Vacuum system	Vacuum circuit, complete of vacuum reserve and non return valve
Control	Manual valve on the lifter's frame Release of the load by dual action security command
Standard features	On-off double sliding valve with safety Audible and visual low vacuum warning devices Vacuum gauge with colored scale, vacuum filter, non return valves
Optional	White gaskets Parking stand with wheels Holder for hoist command

Technical drawing



Series P3A

 Kg max 2000

Product code	Lifting capacity	Central pad A1 x B1	Lateral pads A x B	H
P3A 375	375	480 x 230	480 x 230	870
P3A 625	625	480 x 230	480 x 330	870
P3A 750	750	480 x 330	480 x 330	955
P3A 1000	1000	630 x 330	630 x 330	870
P3A 1200	1200	630 x 280	630 x 430	870
P3A 1500	1500	630 x 430	630 x 430	955
P3A 2000	2000	830 x 480	830 x 480	955

*L standard dimension is mm 1500; on request different lengths.