

Serie

CL-ROT0180



 Kg Max
360

 **Battery
powered**

ROTO180 is a Cladding Vacuum Lifter specific for the **rotation of the insulated and sandwich panels by 180°**.

If you need to **turn the panels upside down** because they were delivered stacked one against the other due to transportation reasons, our ROTO180 Vacuum Lifter is the right model for solving this issue. Thanks to its hydraulic cylinder and its **radio remote control**, its assisted 180° rotation is smooth and precise.

In addition, ROTO180 can be used not only for turning the insulated panels upside down but also for their **subsequent installation**.

Work non-stop with ROTO180: its system is operated by **rechargeable batteries**, which can be removed in few simple steps and be charged using the provided external charger.

ROTO180 is also very convenient in terms of space: when not in use, it can be easily disassembled and its components will build its own parking stand. This feature makes it **easy to store and transport** ROTO180.



Assisted 180° rotation
(upside down)



Dual vacuum circuit built
to EN13155 standard



Safety systems



4 suction pads



Lifting capacity 360kg

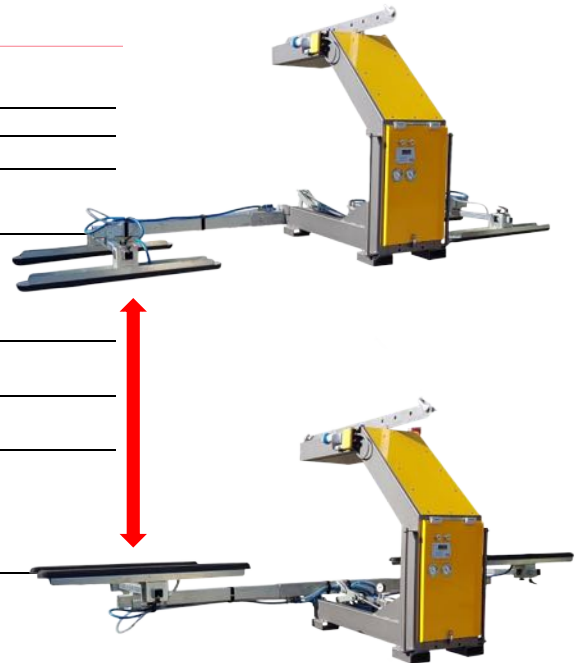
CE

made in
ITALY

Cladding Vacuum Lifter

Technical specification

| | |
|--------------------------|--|
| Application | Cladding panels |
| Lifting Capacity | Max 360 kg |
| Suction pads | N. 4 suction pads specific for insulated panels |
| Load movement | 180 degree tilt with oil dynamic cylinder Rotation is operated by radio remote control |
| Operating system | DC vacuum pump powered from on-board batteries High-capacity re-chargeable batteries Battery status indicator Economizer for reduction of energy consumption |
| Vacuum system | 2 independent vacuum circuits; each circuit is provided with vacuum reserve and a non-return valve |
| Control | Wireless radio remote control Release of the load by dual action security command |
| Standard features | Audible and visual low vacuum warning devices Vacuum gauge for each vacuum circuit Battery charger 240 Volt Vacuum filter |
| Options | Additional visual siren - in add to the standard one Pushbutton command - additional to radio remote control 220V direct connection Parking stand with wheels |



Technical drawing

