

Serie S1-B

S1 is a series of compact and light vacuum lifters.

The models S1-MP and S1-B are the solution for construction sites or outdoor contexts where the connection to power sources can be tough.

The model S1-B is battery powered, easy to change and to recharge.

One of the biggest advantage of S1-B series is that it features interchangeable pads. It can be equipped with different sized suction pads, purchasable even separately.

The model S1-B is perfect for all outdoor stone laying situations, all on its own and with versatility based on needs.

The strong but lightweight frame allows the easy handling and installation of the vacuum lifter.



Horizontal lifting



Vertical lifting



Tilting system

- ✓ Interchangeable suction pads
- ✓ 1 suction pad
- ✓ Low vacuum warning device
- ✓ Designed for outdoor use
- ✓ Independently working

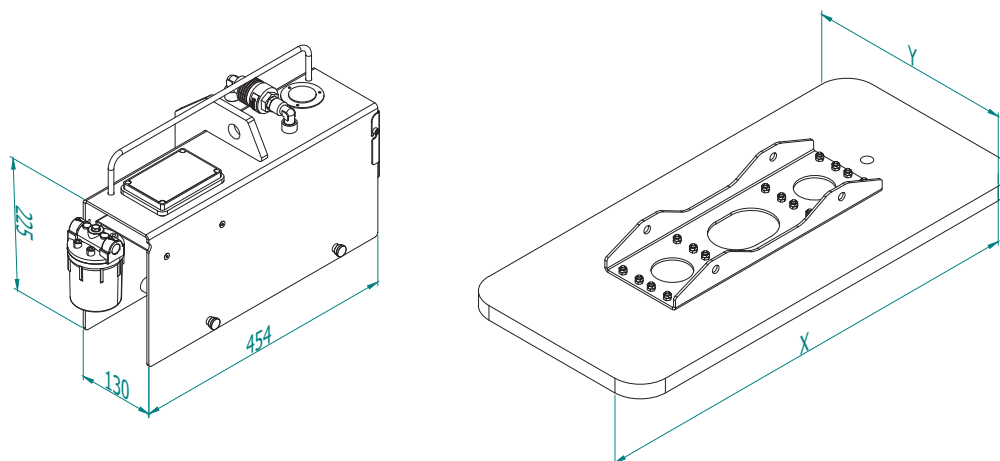


Technical specification

Application	Marble, granite, stones and concrete Not porous materials, smooth surface or lightly irregular
Lifting capacity	Depends on the configuration, max 600kg
Suction pad	N. 1 suction pad Quickly and easily suction pads interchange Quickly and easily vacuum gaskets interchange
Load movement	Horizontal or vertical lifting Tilting system 0 – 90°
Operating system	DC vacuum pump powered from on-board battery Re-chargeable easily interchangeable battery Battery status indicator Economizer for reduction of the energy consumption
Vacuum system	Vacuum circuit, complete of vacuum reserve and non return valve
Weight of lifter	Kg 26
Control	Slider valve control for suction/release on the lifter Release of the load by dual action security command
Standard features	Audible and visual low vacuum warning devices Vacuum gauge with coloured scale On-off double sliding valve with safety Vacuum filter



Technical drawing



Available models

Max portata kg	Article code	Suction pad	
		Included	To be added
600	S1-B	-	View list

The lifting capacity is established from size of the suction pad applied on the lifter.

Interchangeable suction pads available

Max lift capacity Kg		Pad dimensions mm		Article code
Horizontal	Vertical	X	Y	
50	-	450	100	S1-450100
100	-	660	100	S1-660100
200	100	760	150	S1-760150
250	125	480	230	S1-480230
300	150	760	200	S1-760200
450	225	630	330	S1-630330
600	300	760	350	S1-760350

To order, please specify the vacuum lifter model + the desired pad