




Vacuum glass lifter

Model

SLIM4

 Kg max
400

 **Battery**
powered



The SLIM model is a **battery powered vacuum glass lifter with 4 suction cups in a row** and 400 or 500 kg lifting capacity.

Its flat, compact design allows SLIM4 to work behind scaffoldings. Its removable lifting arm permits to reduce the **depth of the lifter to just 14 cm**.

The **manual 0 – 90° tilting system** allows the movement of the glass from vertical to horizontal and vice versa. The **manual continuous rotation 360°** allows to rotate the glass. The SLIM is specific vacuum glass lifter for construction site use with dual vacuum circuit according to EN13155.



Manual tilt 0-90°



Manual rotation 360°



Max capacity 400kg



4 vacuum pads d.310 mm



Safety devices

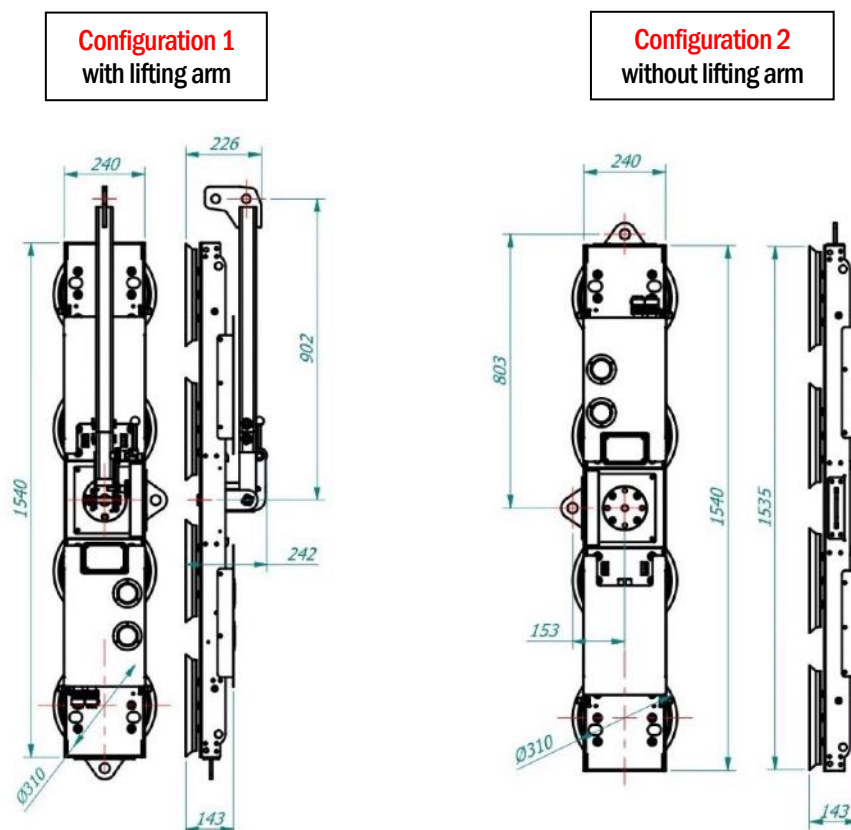


Depth of the lifter only 14cm

CE

made in
ITALY

Technical drawing



Technical specification

Application	Glass panels
Lifting capacity	Max 400 kg
Suction pads	No. 4 round suction pads diameter 310 mm Lipped pads with safety ring
Pad spread	mm 1540 x 310
Load movement	Continuous 360 degree manual rotation 90 degree manual tilting system
Operating system	DC vacuum pump powered from on-board batteries High capacity re-chargeable batteries Battery status indicator Economizer for reduction of the energy consumption
Vacuum system	2 independent vacuum circuits, each vacuum circuit with vacuum reserve and non return valve
Weight of lifter	Kg 46
Structural depth	mm 226 with lifting arm; mm 143 without lifting arm
Control	Manual on off valve on the lifter's frame Release of the load by dual action security command Remote control as optional
Standard features	Removable lifting arm Audible and visual low vacuum warning devices Vacuum gauge for each vacuum circuit Battery charger 240 Volt Vacuum filter Multi position hook connection