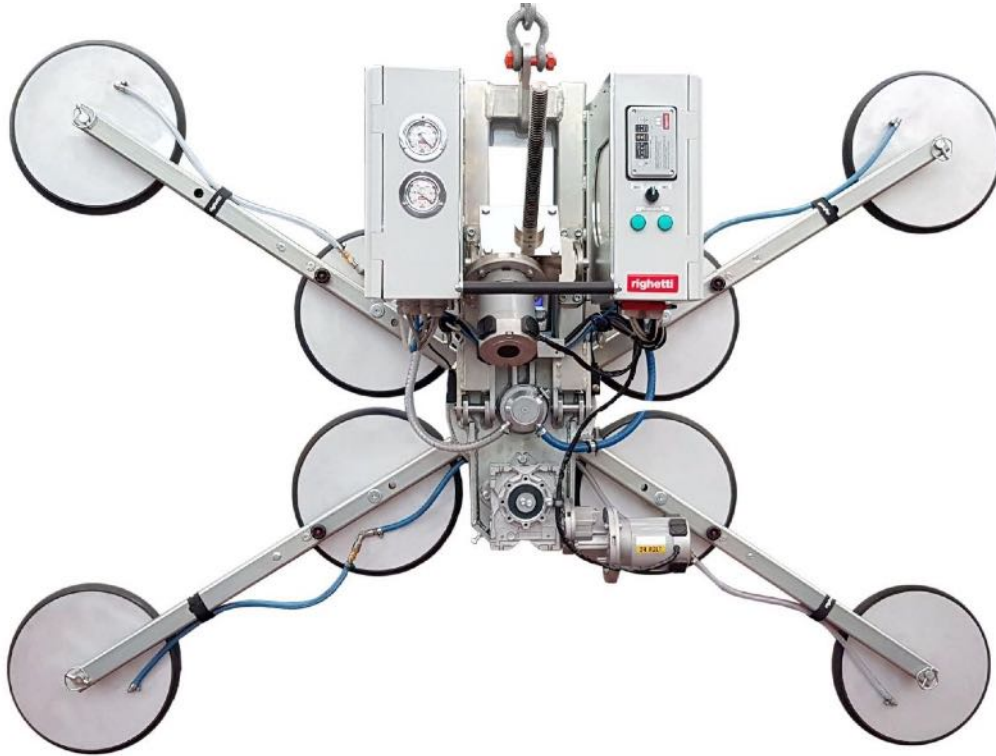


Vacuum glass lifter

VB4+4 RCEBE d4

Kg max
1200

Battery
powered



The model VB4+4 RCEBE d4 is a **modular vacuum glass lifter** with electric movements. On VB4+4 model, the four external suction pads are on removable extension arms that permit to increase the lifting capacity and the pad spread. The pad arms can be removed quickly and easily.

In configuration with 4 pads, the lifting capacity is 600 kg and is possible to lift small glass panels. With addition of four extension pad arms, the lifting capacity increases to 1200 kg. The VB4+4 RCEBE d4 vacuum lifter features **powered tilt and electric 360 degree rotation** with possibility of automatic stop or continues rotation. The aspiration, release, tilting and rotating commands are by **wireless radio remote control**.

Vacuum glass lifter VB4+4 RCEBE d4 is battery powered by rechargeable batteries that, if necessary, may be easily removed and quickly replaced. VB4+4 RCEBE d4 is specific vacuum glass lifter **for construction site use** with dual vacuum circuit according to EN13155.

This lifter is also available with suction pads d. 310 mm and capacity 400/800 kg (mod VB4+4 RCEBE). It's also available with electric rotation and manual tilt (**VB4+4 RCEBM**); or with manual rotation and electric tilt (**VB4+4 RCMBE**).



Powered tilt 0-90°



Powered rotation 360°



Max capacity 1200kg



4+4 vacuum pads d.390 mm



Safety devices



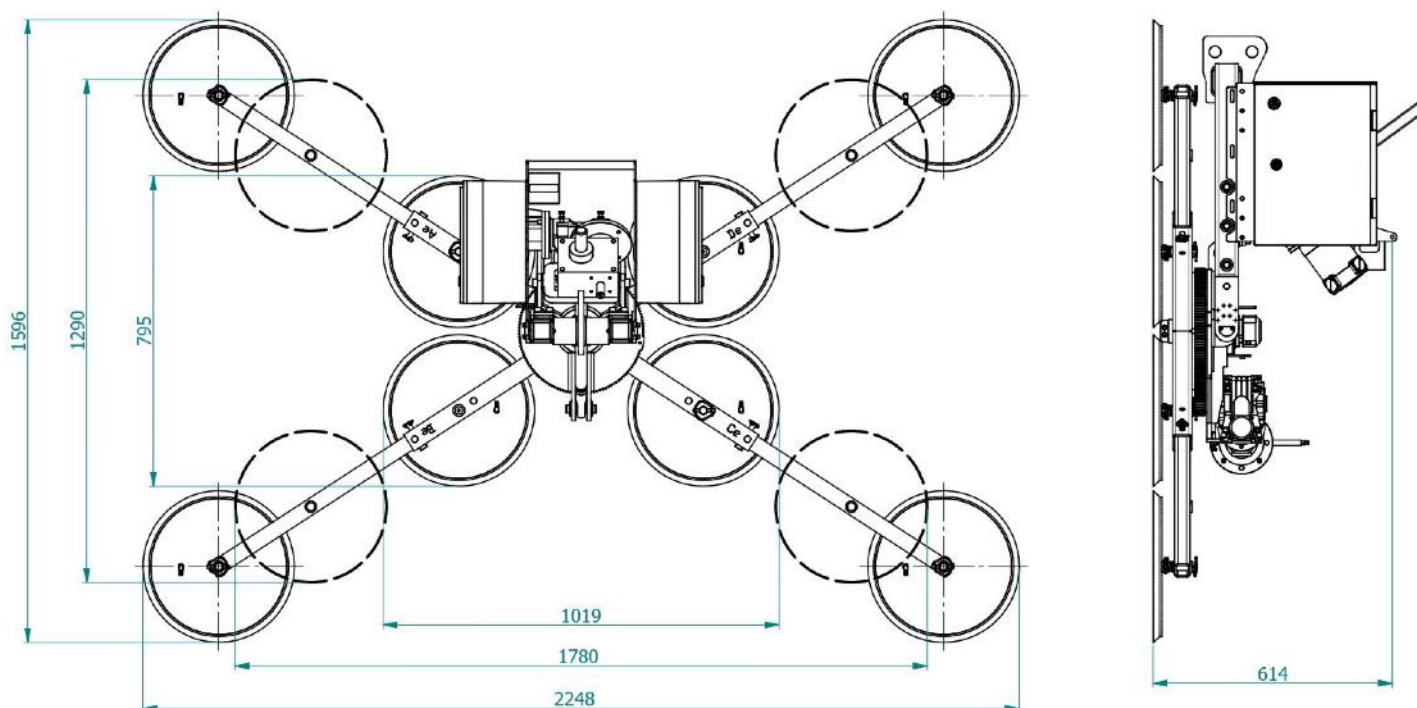
Modular frame

CE

made in
ITALY

Vacuum glass lifter

Technical drawing



Technical specification

Application	Glass panels
Lifting capacity	Max 1200 kg
Suction pads	No. 4 + 4 round suction pads diameter 390 mm Lipped pads with safety ring
Pad spread	Pads are movable in different configurations 4 pads mm 1019 X 795 8pads mm 2248 X 1596
Load movement	Continuous 360 degree electric rotation Electric 90 degree tilt
Operating system	DC vacuum pump powered from on-board batteries High capacity re-chargeable batteries Battery status indicator Economizer for reduction of the energy consumption
Vacuum system	2 independent vacuum circuits, each vacuum circuit with vacuum reserve and non return valve
Weight of lifter	196 kg
Structural depth	mm 614
Control	Suction, release, rotation and tilt are controlled with Radio remote control Release of the load by dual action security command
Standard features	Audible and visual low vacuum warning devices Vacuum gauge for each vacuum circuit Battery charger 240 Volt Vacuum filter Multi position hook connection