

**Righetti** Vacuum lifters SPECIALISTS  
 smart vacuum lifters

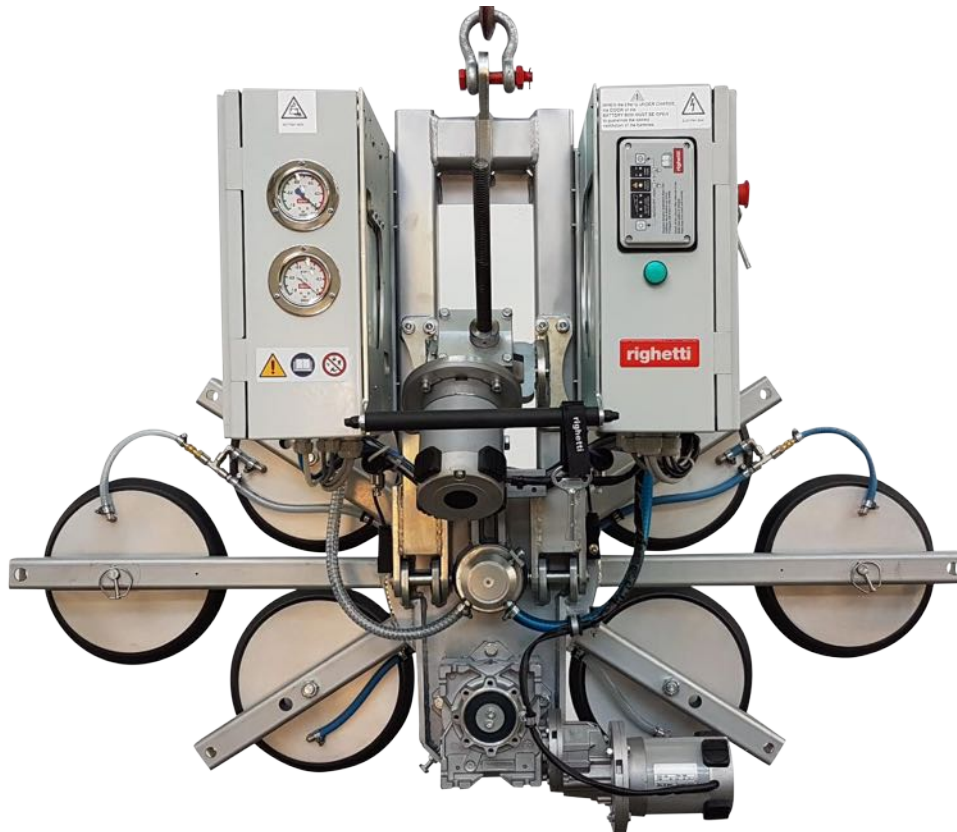
## Vacuum glass lifter

Model

**VB6 RCEBE**

 Kg max  
**600**

 **Battery**  
powered



The VB6 RCEBE is a vacuum glass lifter with **electric 360° continuous rotation** and **electric tilting system 0-90°**. It has 6 round pads d. 310mm and the pad spread dimension is mm 1420 x 678.

Vacuum glass lifter VB6 RCEBE is **battery powered** by rechargeable batteries that, if necessary, may be easily removed and quickly replaced. VB6 is specific vacuum glass lifter for construction site use with **dual vacuum circuit** according to EN13155.

It is also available with vacuum pads d. 390 mm and capacity 900 kg, model VB6 RCEBE d4; and also with one electric movement and the other one manual.



Powered tilt 0-90°



Powered continuous rotation 360°



Max capacity 600kg



6 vacuum pads d.310 mm



Safety devices

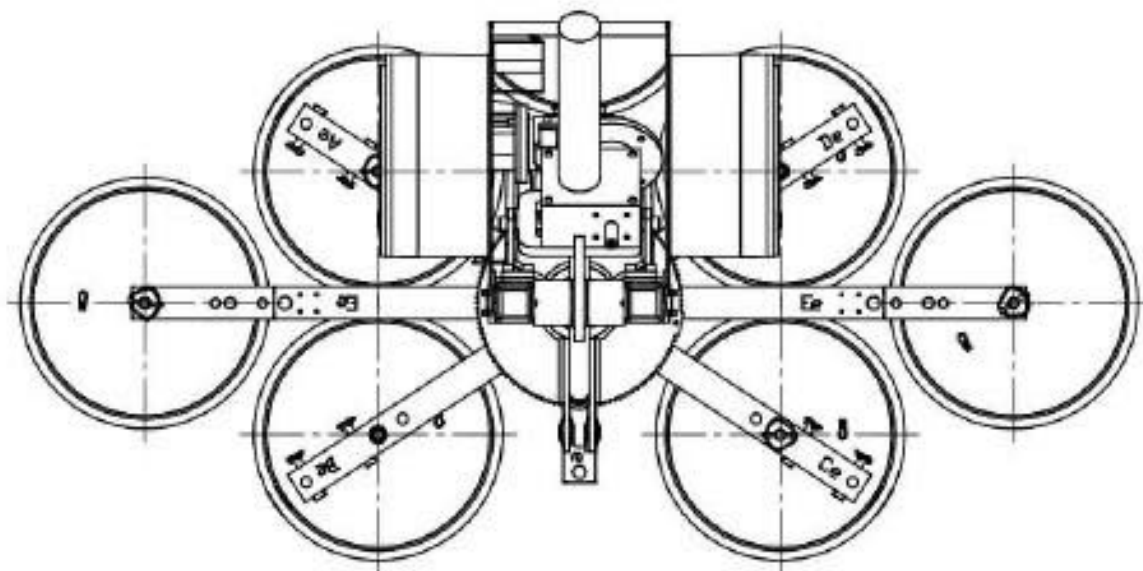


Dual vacuum circuit

CE

made in  
ITALY

## Technical drawing



## Technical specification

<b>Application</b>	Glass panels
<b>Lifting capacity</b>	Max 600 kg
<b>Suction pads</b>	No. 6 round suction pads diameter 310 mm Lipped pads with safety ring
<b>Pad spread</b>	mm 1479 x 663
<b>Load movement</b>	Continuous 360 degrees electric rotation 90 degrees electric tilt
<b>Operating system</b>	DC vacuum pump powered from on-board batteries High capacity re-chargeable batteries Battery status indicator Economizer for reduction of the energy consumption
<b>Vacuum system</b>	2 independent vacuum circuits, each vacuum circuit with vacuum reserve and non return valve
<b>Weight of lifter</b>	Kg 146
<b>Structural depth</b>	mm 614
<b>Control</b>	Tilting, rotation, suction and release are controlled by wireless radio remote control Release of the load by dual action security command
<b>Standard features</b>	Audible and visual low vacuum warning devices Vacuum gauge for each vacuum circuit Battery charger 240 Volt Vacuum filter