

**Righetti** Vacuum lifters SPECIALISTS  
smart vacuum lifters

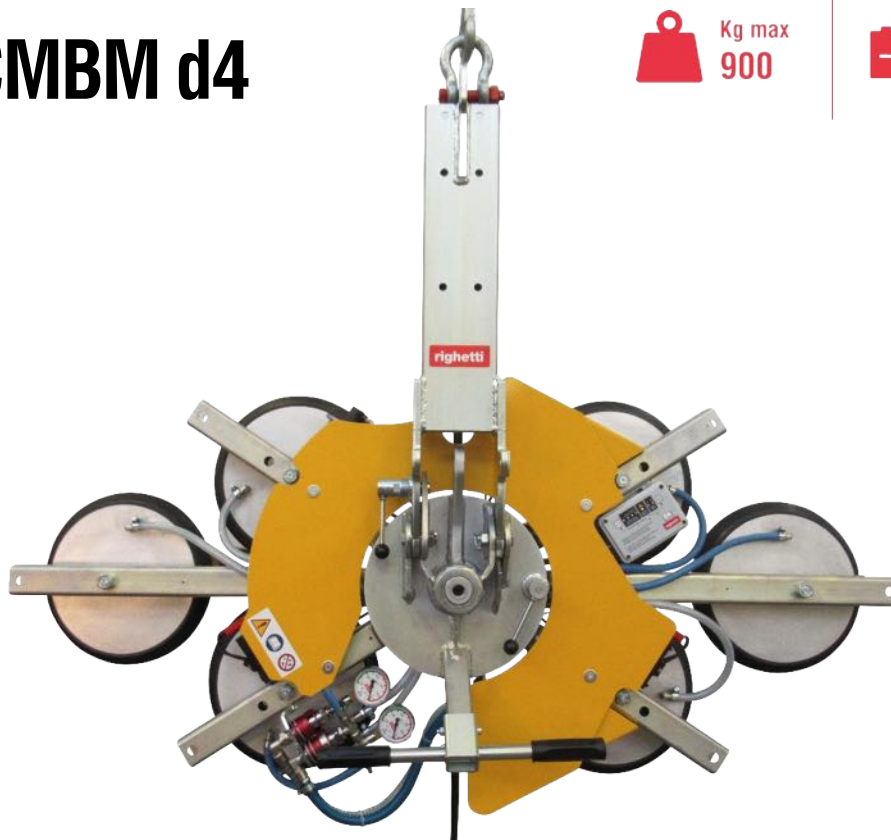
## Vacuum glass lifter

Model

**VB6 RCMBM d4**

 Kg max  
**900**

 Power supply  
**Batteries**



The VB6 RCMBM d4 is a vacuum glass lifter with **manual 360° continuous rotation** and **manual tilting system 0-90°**. It has 6 round pads d. 390mm. The pad spread dimension is mm 1830 x 800.

Vacuum glass lifter VB6 RCMBM is **powered** by two rechargeable batteries that, if necessary, may be easily removed and quickly replaced.

VB6 is specific vacuum glass lifter for construction site use with **dual vacuum circuit** according to EN13155. It is also available with vacuum pads d. 310 mm and capacity 600 kg, model VB6 RCMBM.



Manual tilt 0-90°



Manual continuous rotation 360°



Max capacity 900kg



6 vacuum pads d.390 mm



Safety devices

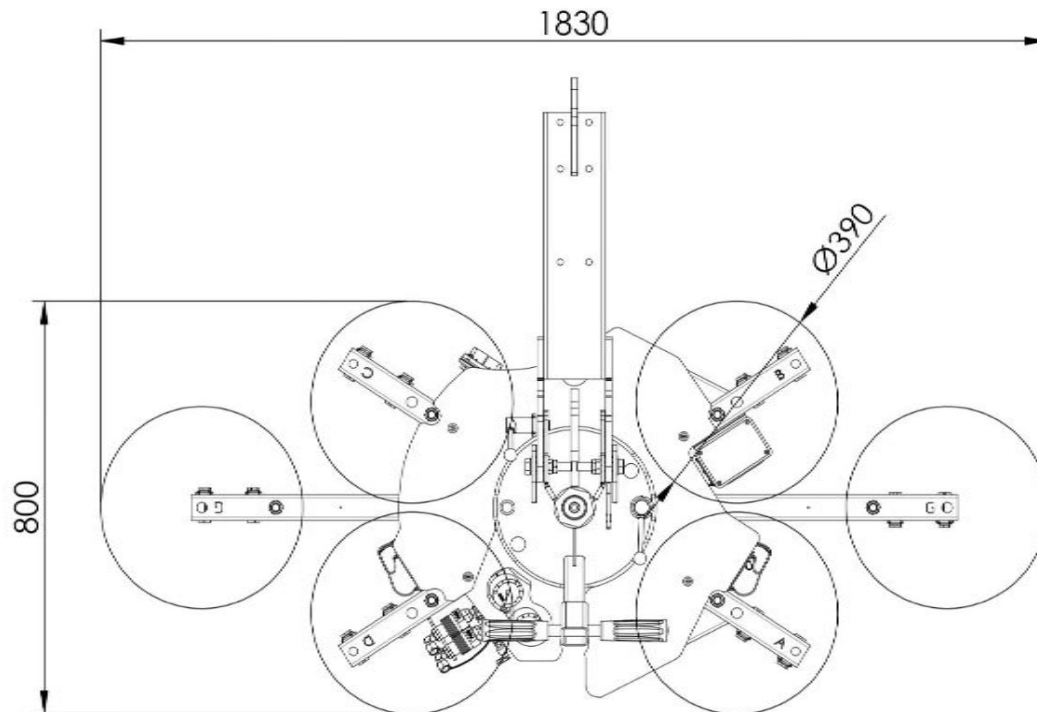


Dual vacuum circuit

CE

made in  
**ITALY**

## Technical drawing



## Technical specification

<b>Application</b>	Glass panels
<b>Lifting capacity</b>	Max 900 kg
<b>Suction pads</b>	No. 6 round suction pads diameter 390 mm Lipped pads with safety ring
<b>Pad spread</b>	mm 1830 x 800
<b>Load movement</b>	Continuous 360 degree rotation, with possibility of automatic locking at each 90° 90 degree tilt, with possibility of automatic locking in upright and flat position
<b>Operating system</b>	DC vacuum pump powered from on-board batteries High capacity re-chargeable batteries Battery status indicator Economizer for reduction of the energy consumption
<b>Vacuum system</b>	2 independent vacuum circuits, each vacuum circuit with vacuum reserve and non return valve
<b>Weight of lifter</b>	Kg 91
<b>Structural depth</b>	mm 250
<b>Control</b>	Manual on off valve on the lifter's frame Release of the load by dual action security command Remote control as optional
<b>Standard features</b>	Audible and visual low vacuum warning devices Vacuum gauge for each vacuum circuit Battery charger 240 Volt Vacuum filter Multi position hook connection Lowered suspension for installing of transom window