

# Vacuum lifter for big glass panels

## serie VEB10+4T FV 1400kg

### telescopic frame



#### SILCOMNORTH UAB

www.silcomnorth.com

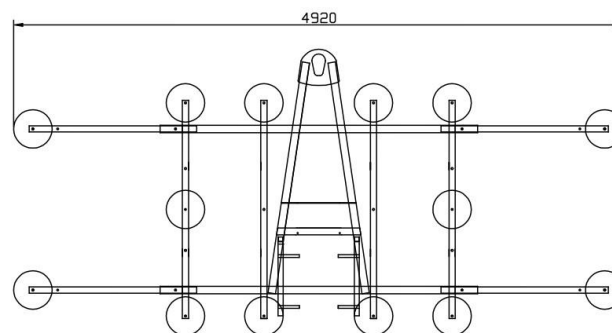
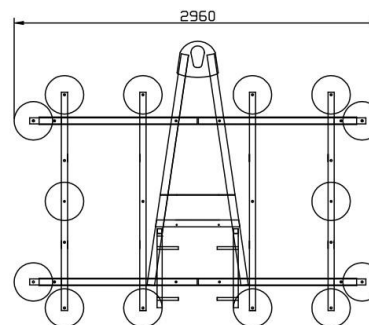
hello@silcomnorth.com

Phone +370 67216691

Antakalnio g. 17, Vilnius 10312, Lithuania

#### Technical specification

|                      |  |
|----------------------|--|
| Application          | Glass panels   |
| Lifting capacity     | 1400 kg  |
| Suction pads         | Nr. 14 pads d.310 mm   |
| Load movement        | Fixed frame for vertical lifting   |
| Pad spread           | min mm 2960 x 2030<br>max mm 4920 x 2030<br>TELESCOPIC FRAME   |
| Operating system     | Electric power 400V 3 fase 50Hz or 220V 1 fase 50Hz  |
| Vacuum system        | Single vacuum circuit with vacuum reserve, filter and non return valve   |
| Weight of the lifter | 230 kg   |
| Control              | Manual on off valve on the lifter's frame<br>Release of the load by dual action security command<br>Remote control as optional |
| Standard features    | Audible and visual low vacuum warning devices<br>Vacuum gauge<br>Vacuum filter   |
| Optional             | Dual vacuum circuit<br>Protection wire mesh<br>Radio remote control  |



- **Electric powered**
- 14 suction pads
- **Telescopic frame**
- **Structure to lift big glass panels**
- Max capacity 1400 kg
- Low vacuum warning device

