

# Righetti

smart vacuum lifters

Model

## VEB4 RCMBM d4

 Kg max  
600

 Power supply  
Electricity

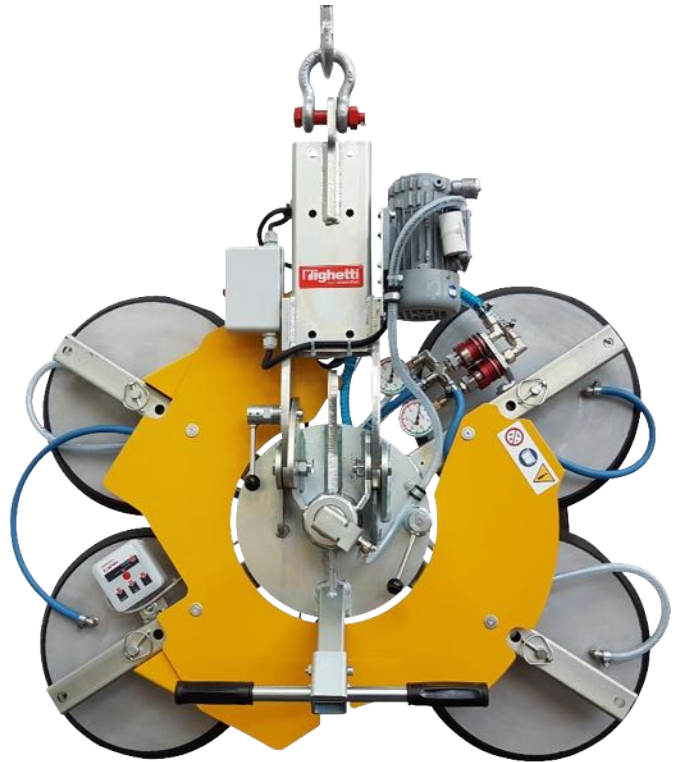
The VEB4 RCMBM d4 model is vacuum glass lifter with four suction pads d. 390 mm, perfect to lift and handle glass sheets.

VEB4 has **electric operating system**. As standard is available 400V 3 phase or 220V single phase operated system. On request other voltage.

The lifter permits to **rotate the glass of 360°** and **tilt 90°** from horizontal to vertical and vice versa.

The 4 suction pads are repositionable in **two different positions**: when the lifter is closed the pads spread is 795x1019 mm; when the lifter is open the pads spread is 941x1246 mm.

VEB4 can be produced, as optional, with **dual vacuum circuit** according to EN13155 standard.



Manual tilt 0-90°



Capacity max 600kg



Manual continuous rotation 360°



Safety devices



4 vacuum pads d.390 mm

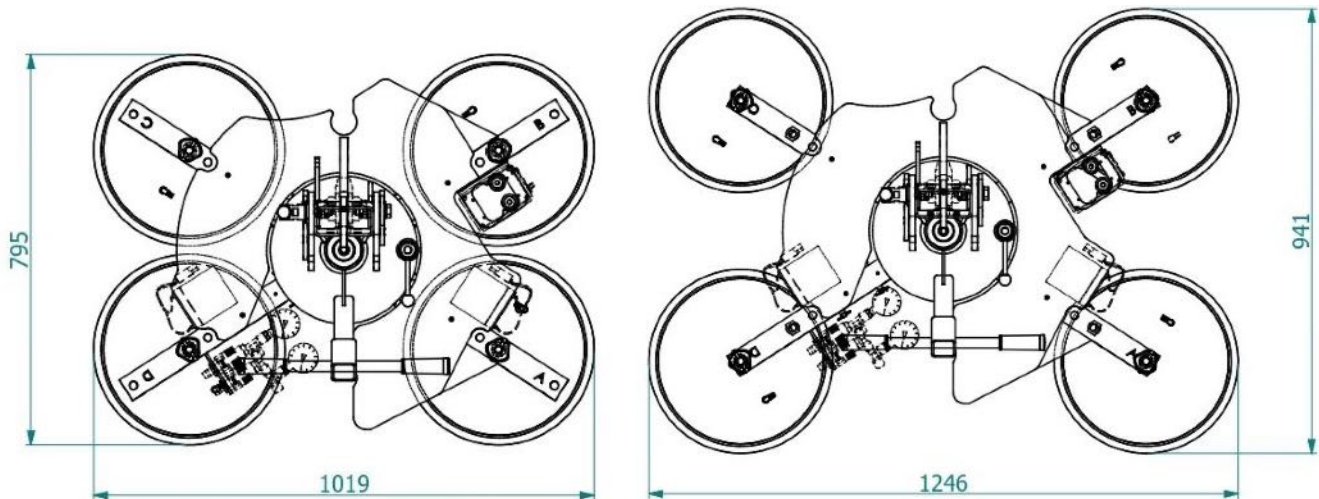


2 possible configurations

CE

made in  
ITALY

### Technical drawing



### Technical specification

<b>Application</b>	Glass panels
<b>Lifting capacity</b>	Max 600 kg
<b>Suction pads</b>	No. 4 round suction pads diameter 310 mm Lipped pads with safety ring
<b>Pad spread</b>	Repositionable pads in two positions: mm 795 x 1019 / 941 x 1246
<b>Load movement</b>	Continuous 360 degree rotation, with possibility of automatic locking at each 90° 90 degree tilt, with possibility of automatic locking in upright and flat position
<b>Operating system</b>	Electric operated 400V 3 phase 50Hz OR 220V single fase 50Hz
<b>Vacuum system</b>	Single vacuum circuit As optional dual vacuum circuit
<b>Weight of lifter</b>	Kg 62
<b>Control</b>	Manual on off valve on the lifter's frame Release of the load by dual action security command
<b>Standard features</b>	Audible and visual low vacuum warning devices Vacuum gauge Battery charger for alarm system Vacuum filter Multi position hook connection Lowered suspension for installing of transom window