

# Righetti

smart vacuum lifters

Model

## VEB6 RCEBE d4

## Vacuum glass lifter



Kg max  
900



Power supply  
Electricity



The model VEB6 RCEBE d4 is a **vacuum glass lifter** with electric movements and lifting capacity 900kg. The VEB6 RCEBE d4 features **powered tilt 0 – 90° and powered continue 360° rotation**. The aspiration, release, tilting and rotating commands are controlled by push button cable command (radio remote control as optional).

Vacuum glass lifter VEB6 RCEBE d4 is **electric powered**, it can be produced with voltage 220V 1phase or 400V 3phases, 50Hz. This model can be used on production area, but also on construction site since it features **dual vacuum circuit** according to EN13155. This lifter is also available with suction pads d. 310 mm and capacity 600 (mod VEB6 RCEBE). It's also available with electric rotation and manual tilt (VEB6 RCEBM d4); or with manual rotation and electric tilt (VEB6 RCMBE d4).



Electric tilt 0-90°



Capacity max 900kg



Electric continuous rotation 360°



Safety devices



6 vacuum pads d.390 mm

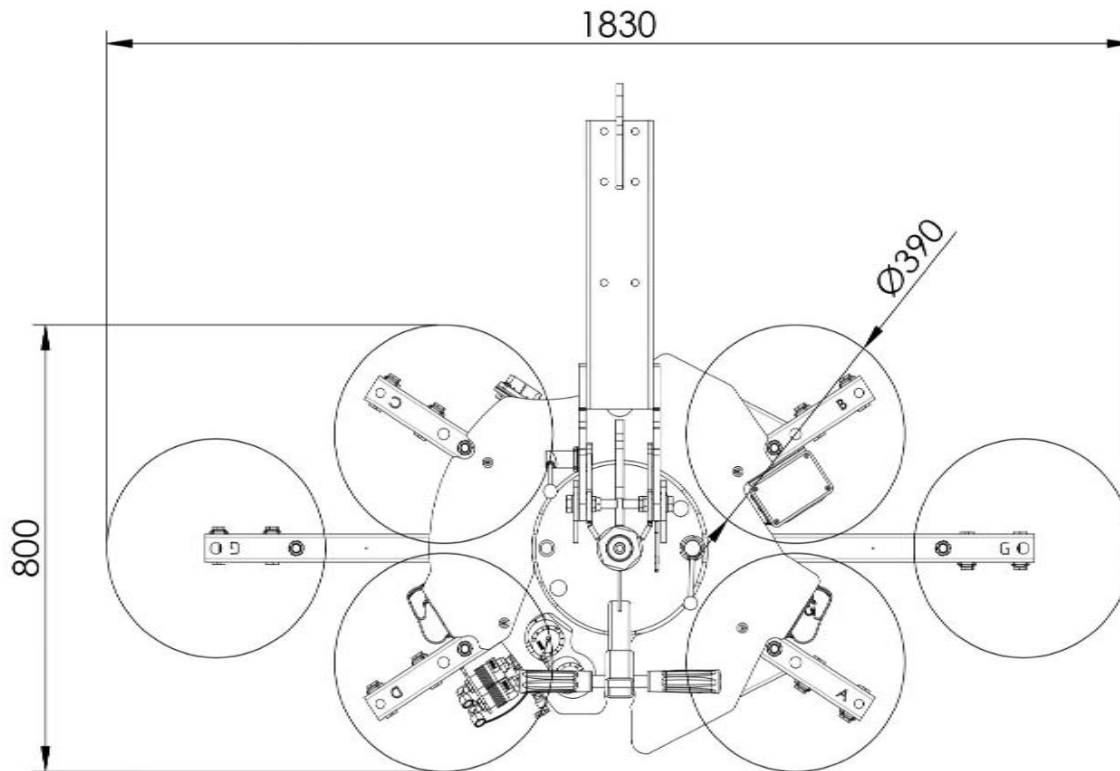


Dual vacuum circuit

CE

made in  
ITALY

### Technical drawing



### Technical specification

<b>Application</b>	Glass panels
<b>Lifting capacity</b>	Max 900 kg
<b>Suction pads</b>	No. 6 round suction pads diameter 390 mm Lipped pads with safety ring
<b>Pad spread</b>	mm 1810 x 830
<b>Load movement</b>	Electric tilt and electric rotation on VEB6 RCEBE d4 Manual tilt and electric rotation on VEB6 RCEBM d4 Electric tilt and manual rotation on VEB6 RCMBE d4
<b>Operating system</b>	Electric operated: 400V 3 phase 50Hz OR 220V single phase 50Hz
<b>Vacuum system</b>	Dual vacuum circuit according to EN13155
<b>Weight of lifter</b>	Kg 135
<b>Structural depth</b>	Mm 614
<b>Control</b>	Suction / release and electric movements controlled by push buttons cable command
<b>Standard features</b>	Audible and visual low vacuum warning devices Vacuum gauge, Vacuum filter Battery charger for alarm system
<b>Optional</b>	Radio remote control