

Righetti

smart vacuum lifters

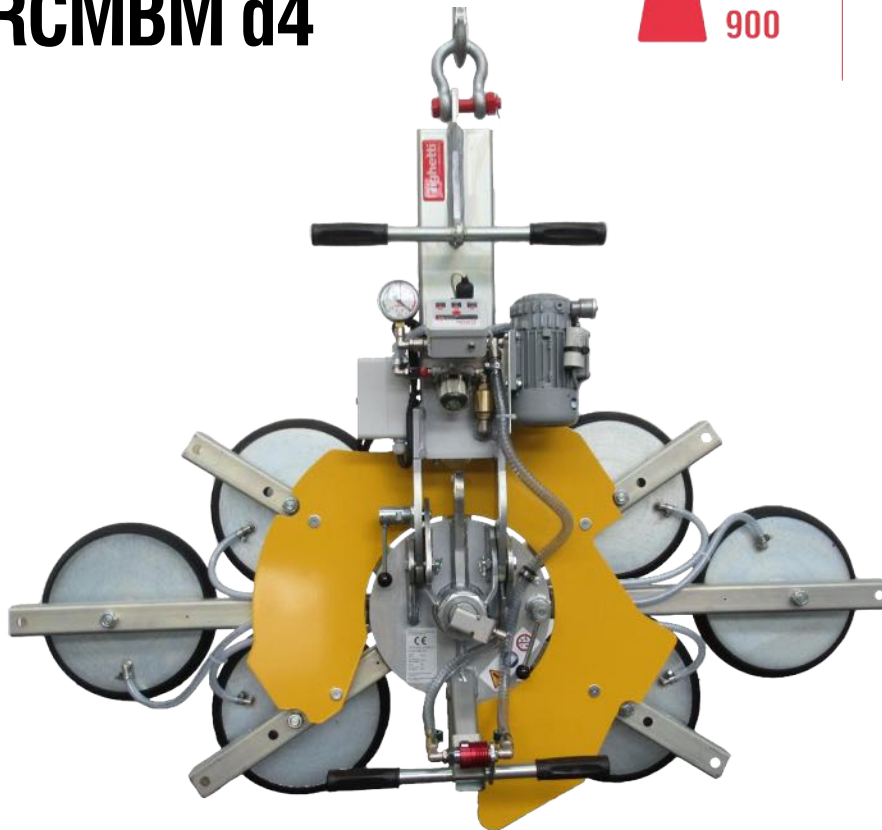
Vacuum glass lifter

Model

VEB6 RCMBM d4

 Kg max
900

 Power supply
Electricity



The VEB6 RCMBM d4 model is vacuum glass lifter with six suction pads d. 390 mm, perfect to lift and handle glass sheets. VEB6 has **electric operating system**. As standard is available 400V 3 phase or 220V single phase operated system. On request other voltage.

The lifter permits to manually **rotate the glass of 360° and tilt 90°** from horizontal to vertical and vice versa.

VEB6 can be produced, as optional, with **dual vacuum circuit** according to EN13155 standard. The lifter is also available with suction pads d.310 mm and capacity 600 kg, mod VEB4 RCMBM.



Manual tilt 0-90°



Capacity max 900kg



Manual continuous rotation 360°



Safety devices



6 vacuum pads d.390 mm

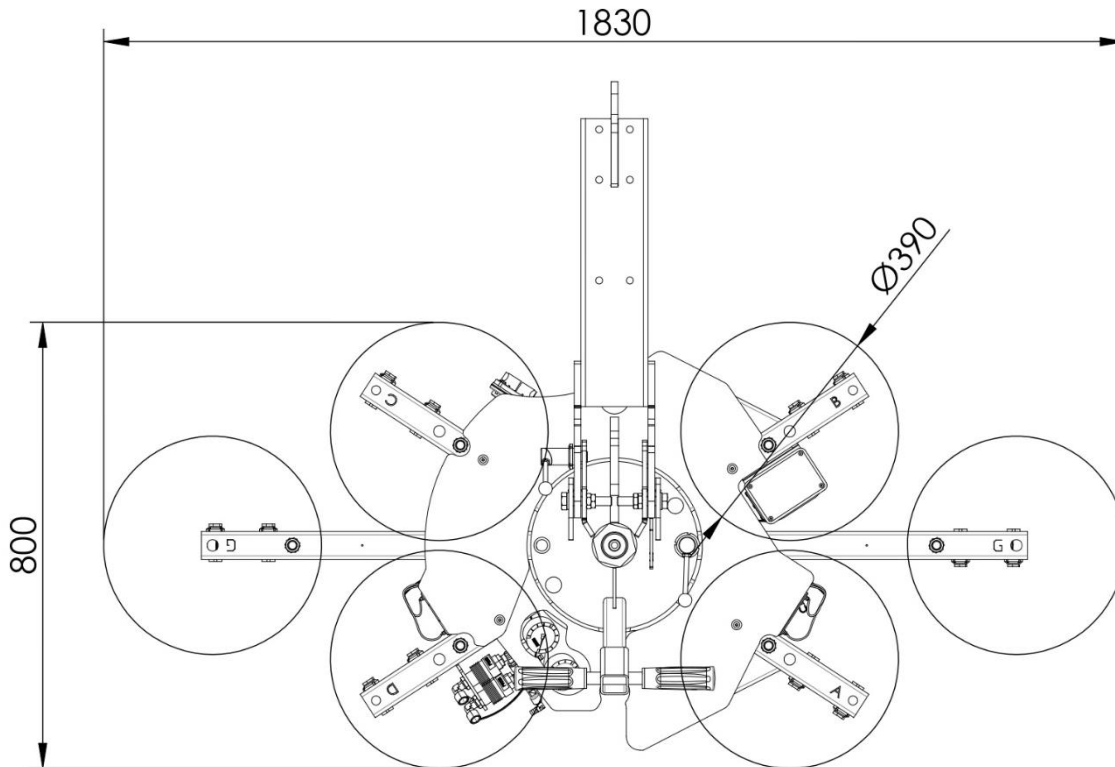


Available with dual vacuum circuit

CE

made in
ITALY

Technical drawing



Technical specification

Application	Glass panels
Lifting capacity	Max 900 kg
Suction pads	No. 6 round suction pads diameter 390 mm Lipped pads with safety ring
Pad spread	mm 1830 x 800
Load movement	Continuous 360 degree rotation, with possibility of automatic locking at each 90° 90 degree tilt, with possibility of automatic locking in upright and flat position
Operating system	Electric operated 400V 3 phase 50Hz OR 220V single phase 50Hz
Vacuum system	Single vacuum circuit As optional dual vacuum circuit
Weight of lifter	Kg 82
Control	Manual on off valve on the lifter's frame Release of the load by dual action security command
Standard features	Audible and visual low vacuum warning devices Vacuum gauge Battery charger for alarm system Vacuum filter Multi position hook connection Lowered suspension for installing of transom window