



HIGHLIGHT

Steering handle:

Most Smartlifts are equipped with an intuitive and ergonomic drive handle.



SL 280 INDOOR

LIFTS UP TO 280 KG / 620 LBS.

The SL 280 Indoor is a compact glass robot with more lifting capacity. The unique feature of this lift is the slim frame width of only 62 cm (25 in.). This is probably the slimmest indoor glazing robot in the market today and it does not compromise on precision and ease of operation.

The rear wheel drive makes it very maneuverable with a tight turning radius. The puncture proof tires provide a secure grip on most surfaces.

TECHNICAL SPECIFICATIONS

Lifting cap. arm in/out	280/160 kg - 620/350 lbs.
Lifting height	2,700 mm / 106 in.
Extension of arm	500 mm / 20 in.
Tip from horizontal	50° back / 50° fwd.
Side shift	100 mm / 4 in
Charging voltage	230 V / 110V
Charging time	Approx. 8 hrs.
Battery (2 x 12V)	2 x 60 Ah
Running period	Up to 10 hrs.
Rear-wheel drive	700 W DC
Brake	Electro-magnetic
Suction pads	4 x Ø300mm / 4 x Ø12 in.
Width	620 mm / 25 in.
Curb weight	475 kg / 1,050 lbs.



SIDE SHIFT
10 CM /4 IN.



LIFTING HEIGHT
270 CM /106 IN.



More lifting power in a compact design

BUILD YOUR SMARTLIFT

Foam-filled tyres	NA
Single Gyro	■
Electric key switch	■
White, non-marking tires	■
Special Color	■
Wireless remote	■
Manual extension of the arm	NA
Electrical extension of the arm	NA
Electrical rotating yoke	NA

■ Select the options you need

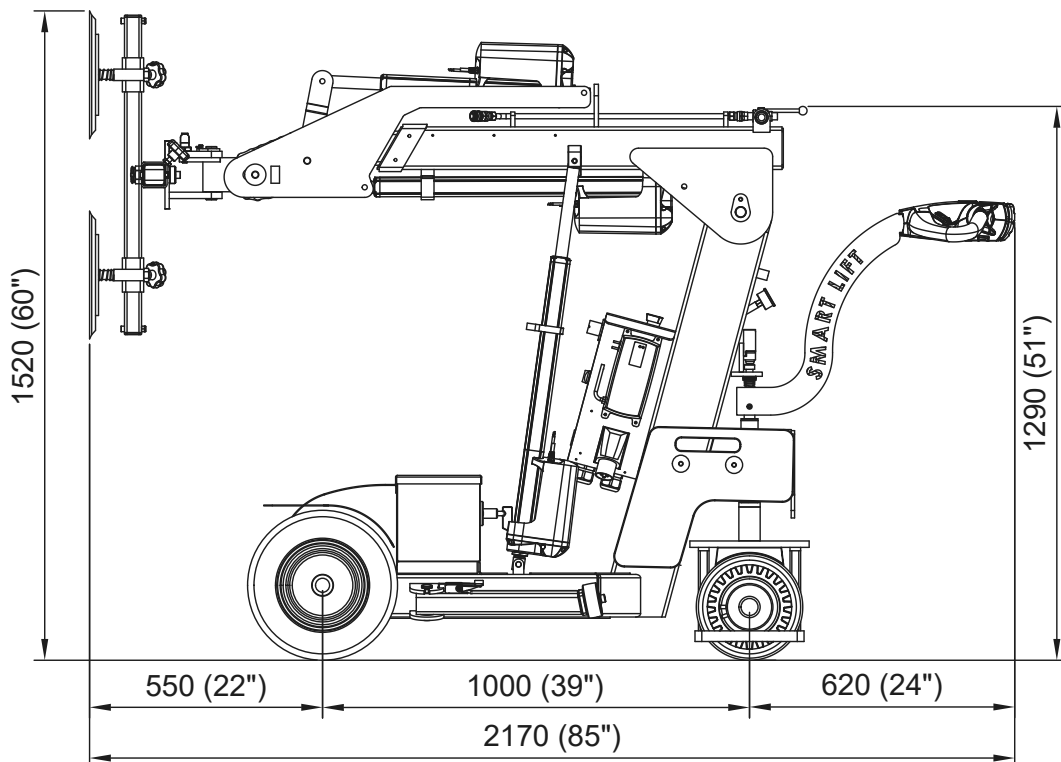
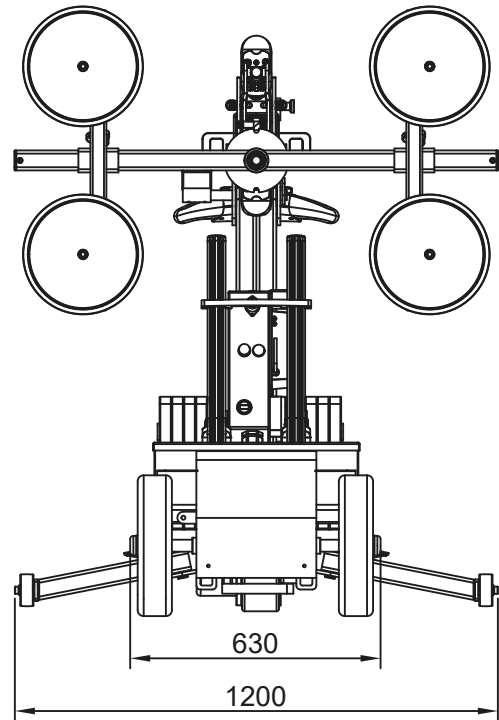


SMARTLIFT®

SL 280 INDOOR

TECHNICAL SPECIFICATIONS

Lifting cap. arm in/out	280/160 kg - 620/350 lbs.
Lifting height	2,700 mm / 106 in.
Extension of arm	500 mm / 20 in.
Tip from horizontal	50° back / 50° fwd.
Side shift	100 mm / 4 in
Charging voltage	230 V / 110V
Charging time	Approx. 8 hrs.
Battery (2 x 12V)	2 x 60 Ah
Running period	Up to 10 hrs.
Rear-wheel drive	700 W DC
Brake	Electro-magnetic
Suction pads	4 x Ø300mm / 4 x Ø12 in.
Width	620 mm / 25 in.
Curb weight	475 kg / 1,050 lbs.



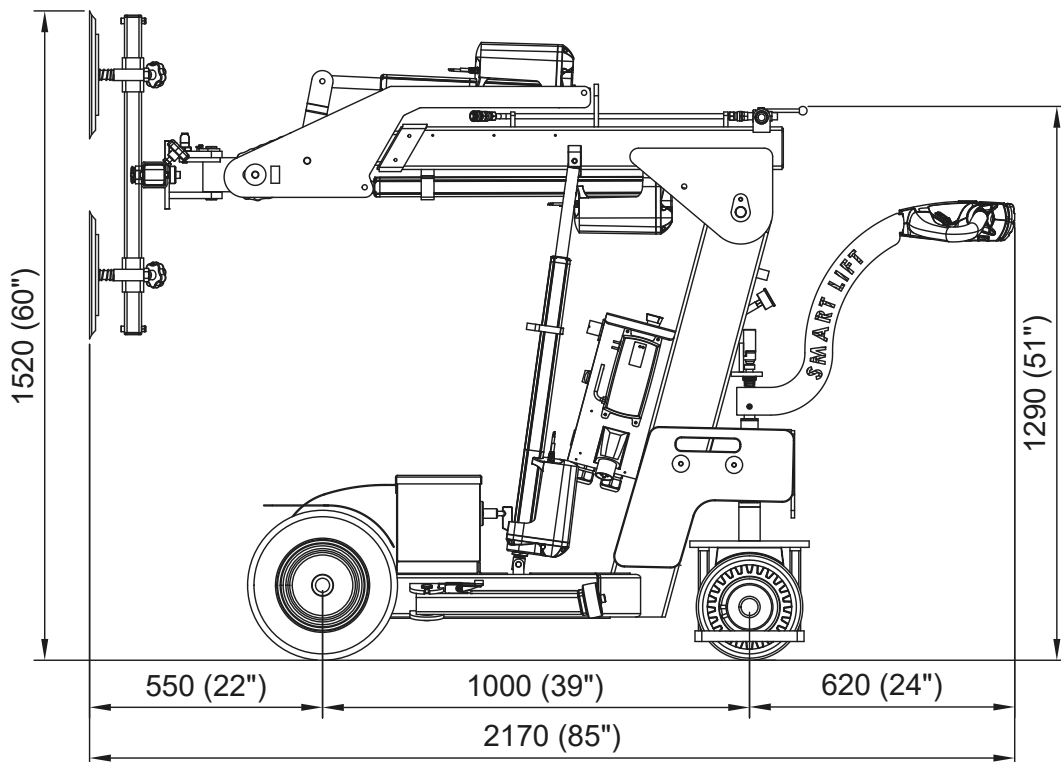
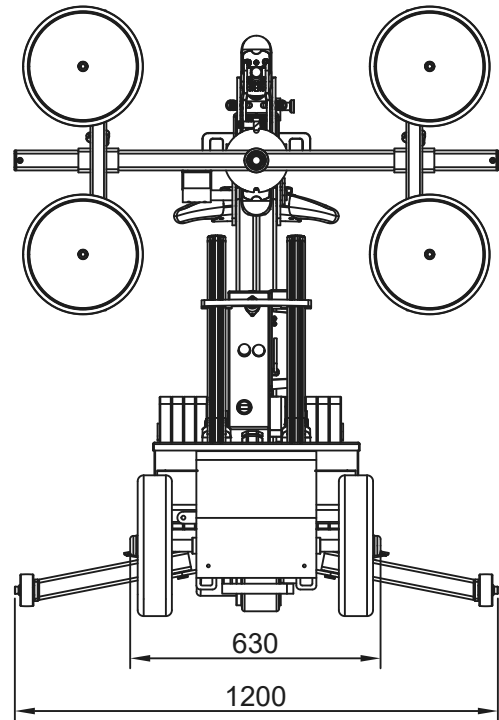


SMARTLIFT®

SL 280 INDOOR

TECHNICAL SPECIFICATIONS

Lifting cap. arm in/out	280/160 kg - 620/350 lbs.
Lifting height	2,700 mm / 106 in.
Extension of arm	500 mm / 20 in.
Tip from horizontal	50° back / 50° fwd.
Side shift	100 mm / 4 in
Charging voltage	230 V / 110V
Charging time	Approx. 8 hrs.
Battery (2 x 12V)	2 x 60 Ah
Running period	Up to 10 hrs.
Rear-wheel drive	700 W DC
Brake	Electro-magnetic
Suction pads	4 x Ø300mm / 4 x Ø12 in.
Width	620 mm / 25 in.
Curb weight	475 kg / 1,050 lbs.



SL280 INDOOR

