



**HIGHLIGHT**

**1. Foldable handle:**  
It is easy to fold the steering handle during transport.

**2. Max. compaction:**  
Remove the vacuum yoke and retract the arm.




## SL 309 OUTDOOR

LIFTS UP TO 350 KG / 770 LBS

The Smartlift SL 309 Outdoor glazing robot is the latest addition to the Smartlift product line, featuring a powerful combination of size versus capacity. This impressive machine can lift up to 350 kg, with a lifting height of up to 3.07 meters, making it perfect for outdoor glazing projects of various sizes. What's more, the SL 309 can be compacted to only 1.435 meter / 57 in length and 1.41 meter / 56 in height, allowing it to easily fit into a standard construction hoist for effortless transport. The SL 309's small turning radius of only 90 cm / 35 in makes it easy to maneuver in tight spaces, making it an ideal choice for any outdoor and indoor glazing project.

### TECHNICAL SPECIFICATIONS

Lifting capacity arm in/out	350 / 170 kg - 770 / 370 lbs
Lifting height	3,070 mm / 121 in
Extension of arm	600 mm / 24 in
Tip from horizontal	35° back / 135° fwd
Side shift	100 mm / 4 in
Charging voltage	230 V / 110 V
Charging time	Approx. 10 hrs
Running period	Up to 10 hrs
Battery (2 x 12V)	2 x 80 Ah
Front wheel drive	1500 W DC
Suction pads	4 x Ø300 mm / 4 x Ø12 in
L x W x H	1690 x 820 x 1410 mm 67 x 32 x 56 in
Curb weight	620 kg / 1,370 lbs

-  **LIFTING HEIGHT**  
**UP TO 307 CM / 121 IN**
-  **TURNING RADIUS**  
**ONLY 90 CM / 35 IN**
-  Easily navigates tight spaces and fits into small construction hoists. An impressive combi of size and capacity.

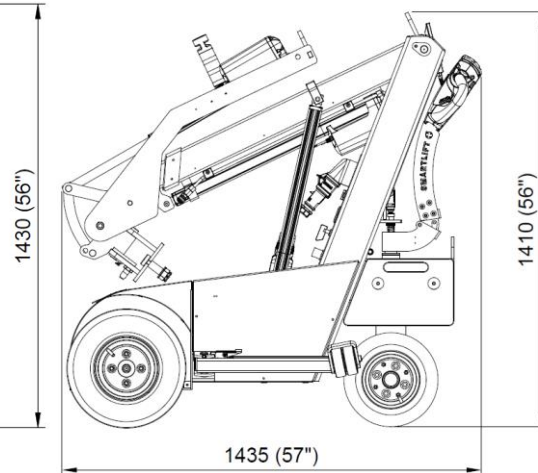
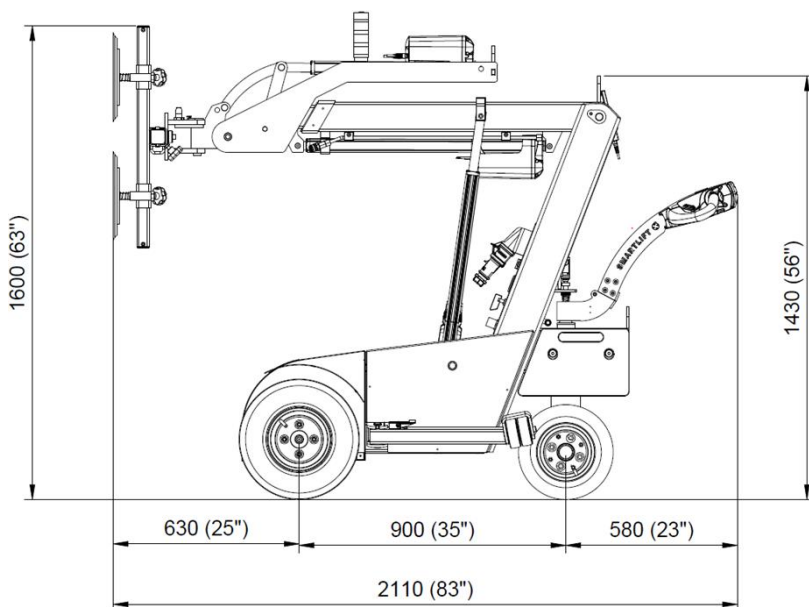
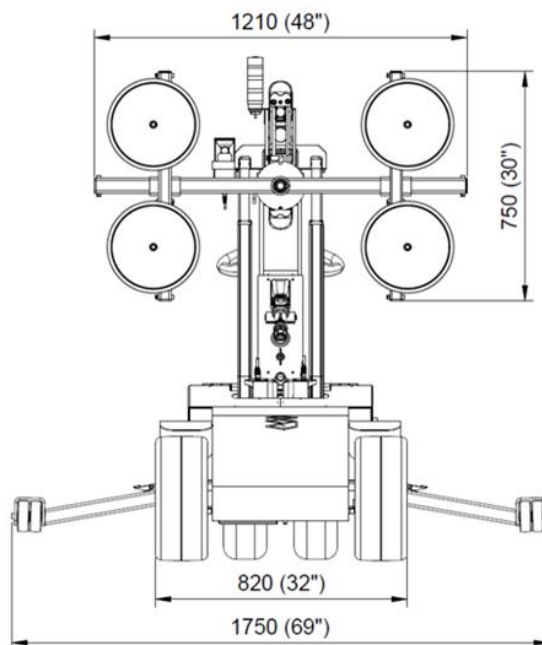
BUILD YOUR SMARTLIFT	
Foam-filled tyres	Standard
White, non-marking tires	■
Special Color	■
Cordless remote	■
Electrical extension	Standard
Foldable handle	Standard

■ Select the options you need

# SL309 OUTDOOR

## TECHNICAL SPECIFICATIONS

Lifting cap. arm in/out	350/170 kg - 770/370 lb
Lifting height	3070 mm/121 in
Extension of arm	600 mm/ 24 in
Tip from horizontal	35° back / 135° fwd
Side shift	100 mm / 4 in
Charging voltage	230 V / 110 V
Charging time	Approx. 10 hrs
Running period	Up to 10 hrs
Front-wheel drive	1500 W AC
Suction pads	4 x Ø300 mm / 4 x Ø12 in
Width	820 mm / 32 in
Curb weight	620 kg / 1370 lb



# SL 309

170	240	350	350	kg
370	530	770	770	lb

m  
feet

3,0  
9.84

2,5  
8.20

2,0  
6.56

1,5  
4.92

1,0  
3.28

0,5  
1.64

0  
0

1,0  
3.28

0,5  
1.64

0 m  
0 feet

