



## SL400 SKY LIFTER RT

LIFTS UP TO 400 KG / 880 LBS

The SL400 Sky Lifter RT is a light and independent electric manipulator which can be mounted on any telescopic loader, crane etc.

Attach the SL400 Sky Lifter RT on to a telescopic loader using our quick release adaptor. This solution is ideal for buildings where installation is under overhangs or at oblique angles. The Sky Lifter can rotate 350 degrees without stop using the attached turning head. The rotation is a great advantage during the window installation, because it gives great flexibility.

The SL400 Sky Lifter RT has a wireless radio control unit. Therefore, the operator can position himself close by the window to have a detailed overview of the installation process.

### TECHNICAL SPECIFICATIONS

Lifting cap. arm in/out	400 kg / 880 lbs
Lifting height	- (depends on parent)
Extension of arm	385 mm / 15 in
Tip from horizontal	- (depends on parent)
Side shift	200 + 300 mm / 8 + 12 in
Charging voltage	230 V / 110V
Charging time	No
Battery	Approx. 4 hrs
Running period	24V, 20Ah
Front-wheel drive	Up to 8 hrs
Suction pads	4 x Ø300 mm / 4 x Ø12 in
Width	360 kg / 795 lbs
Curb weight	IP 65
Class	IP 65



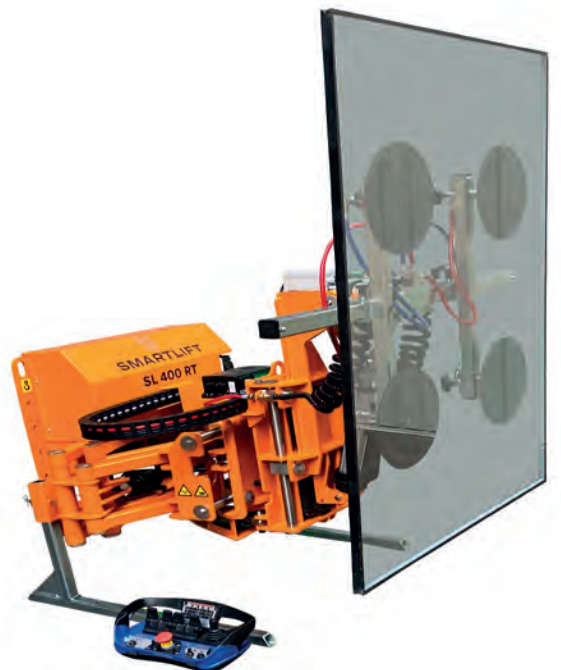
EXTENSION OF ARM  
**385 MM / 15 IN**



LIFTING HEIGHT  
**450 CM / 177 IN**



Can be fitted on a telescopic loader for maximum reach

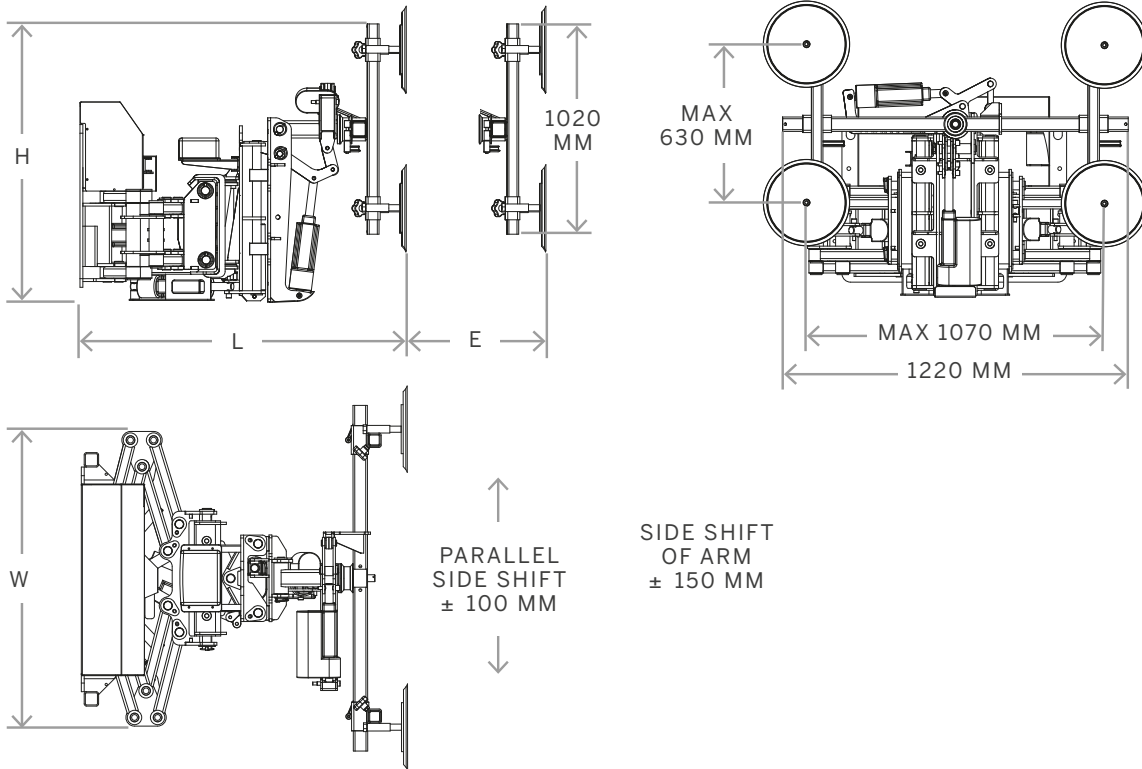




SMARTLIFT®

# SL400 SKY LIFTER

## TECHNICAL SPECIFICATIONS



## THE SIX DEGREES OF FREEDOM

