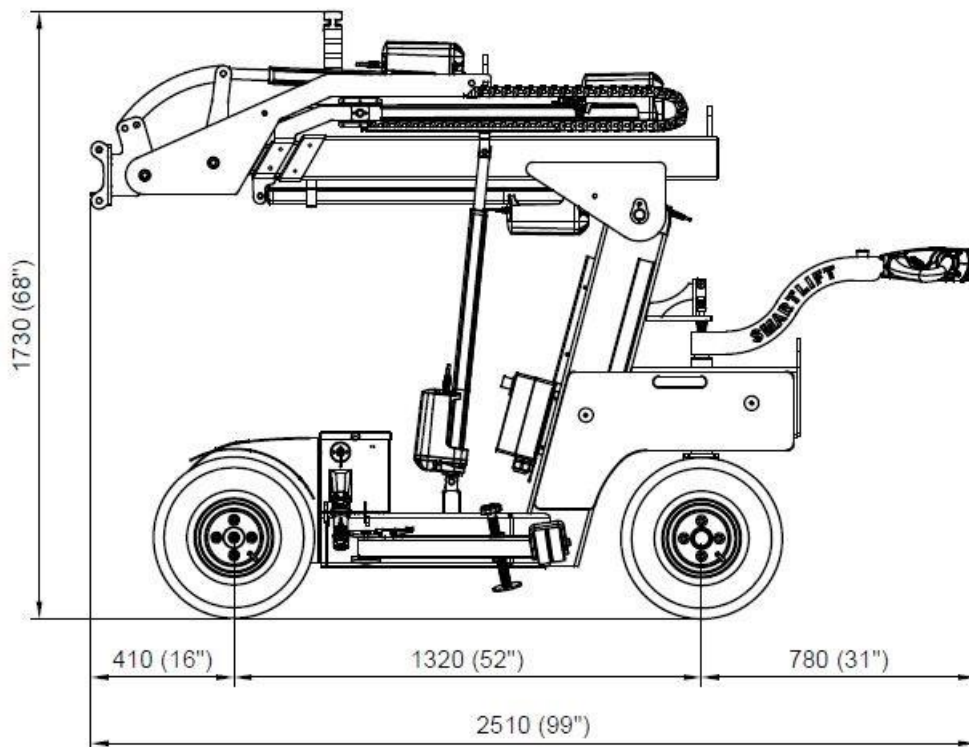
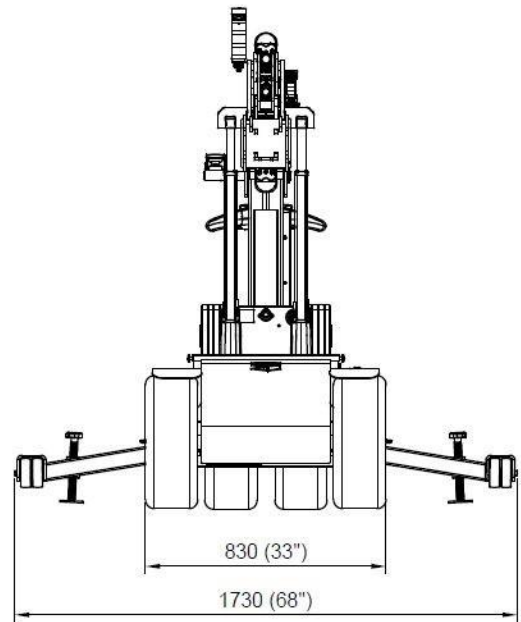


SLI609 INDUSTRY HLE

Technical specifications

Lifting cap. arm in/out	600/250kg – 1320/550lb
Lifting height	3700mm / 146in
Extension of arm	700+900mm / 28+35in
Tilt	34° back / 98° fwd
Side shift	100mm / 4in
Charging voltage	230V / 110V
Charging time	Approx. 10 hrs.
Running period	Up to 10 hrs.
Front-wheel drive	1500W
Width	830mm / 33in
Curb weight	900kg / 1980lb



Load chart

